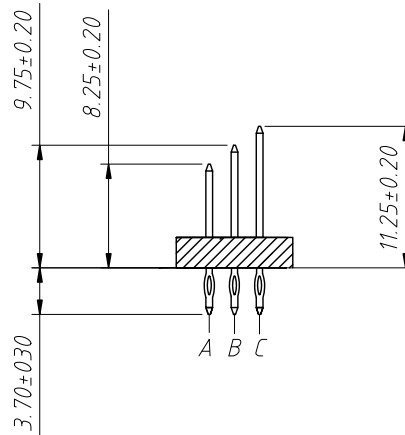
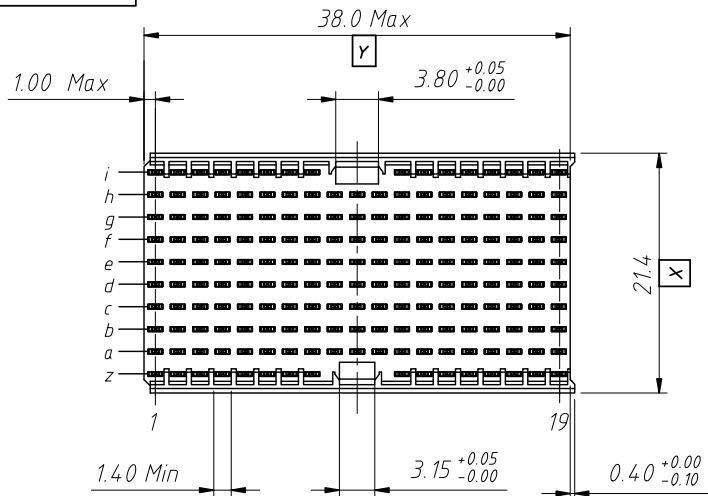
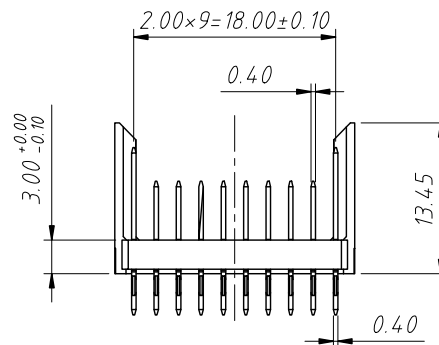
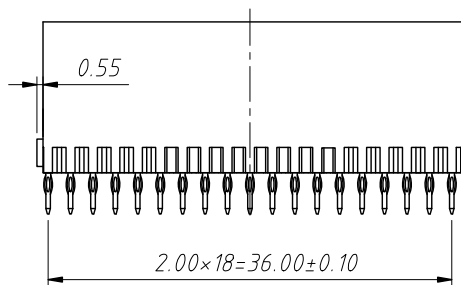


1 RoHS Compliance

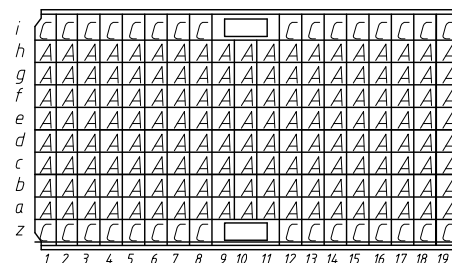
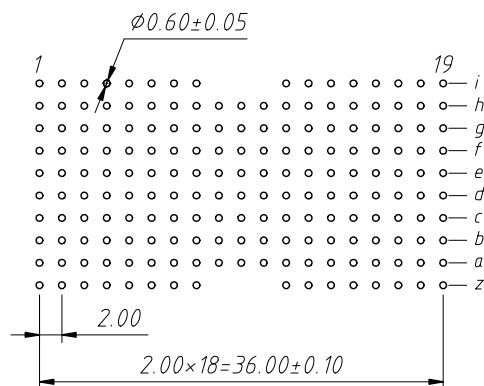


Material:
Housing: Thermoplastic Polyester Glass
Filled, UL 94 V-0
Contacts: Copper Alloy

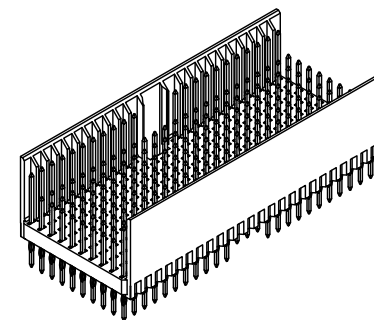
Electrical Characteristics:
Current Rating: 1 AMP.
Dielectric Withstanding Voltage:
AC 750V For 1 minute
Insulator Resistance: 10000MΩ min at DC 500V
Contact Resistance: 20mΩ max. at DC 100mA.
Operating Temperature: -55°C ~ +125°C



Order Information:
L-KLS1-HBC-DEM-184-1A-1-10
L: RoHS
Housing D Type
M=Male F=Female
No. of 184 Pins
Pin: Composite code
Plating: 10=Au 10u"



Contact Layout



Recommended PCB Layout
Tolerance: ±0.05mm

ANGLE TOLERANCE	PROJECTION	Description:	2mm Hard Metric Connector 184 Pos Press-Fit DE19 Male
±3°			
GENERAL TOLERANCE	UNITS	mm	KLS P/N:
x ±0.5	SHEET SIZE	A4	L-KLS1-HBC-DEM-184-1A-1-10
x.x ±0.25	Draw:	Daniel	2023-05-16
x.xx ±0.15	Check:	Daniel	2023-05-16



NingBo KLS ELECTRONIC CO.,LTD.