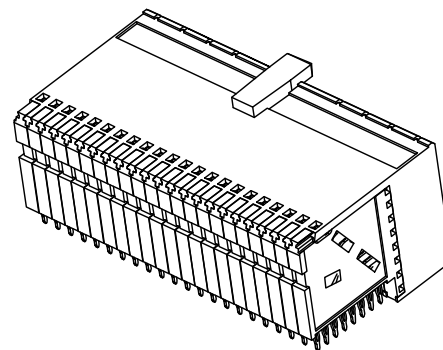
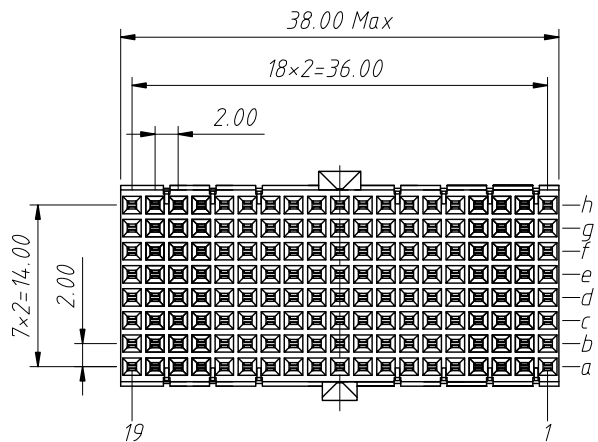


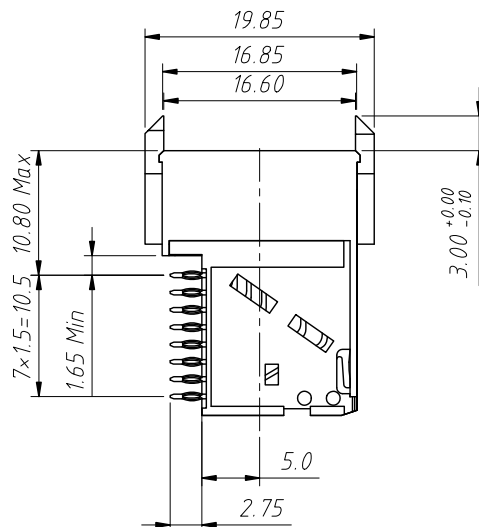
RoHS Compliance



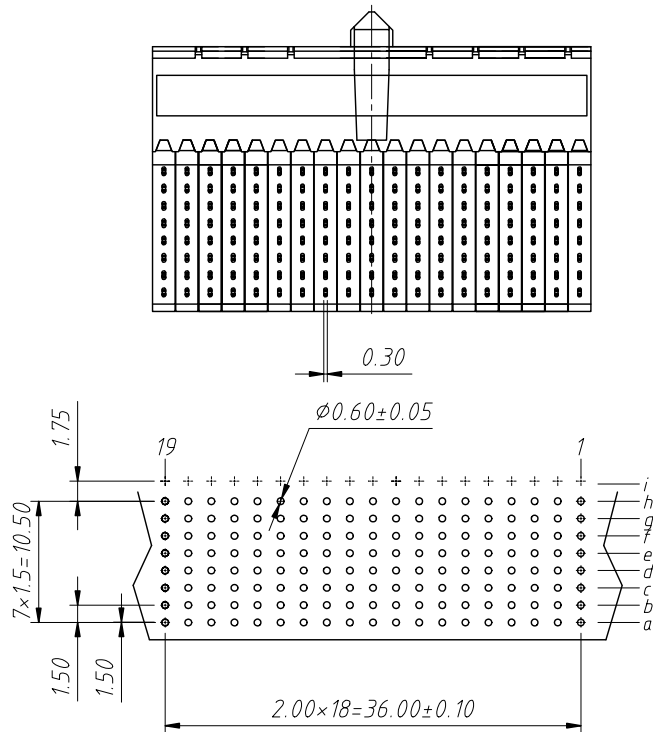
Material:
 Housing: Thermoplastic Polyester Glass Filled, UL 94V-0
 Contacts: Copper Alloy

Electrical Characteristics:
 Current Rating: 1 AMP.
 Dielectric Withstanding Voltage:
 AC 750V For 1 minute
 Insulator Resistance: 10000MΩ min at DC 500V
 Contact Resistance: 20mΩ max at DC 100mA.
 Operating Temperature: -55°C ~ +125°C

Order Information:
 L-KLS1-HBC-DEF-152-0-10
 L: RoHS
 Housing D Type
 M=Male F=Female
 No. of 152 Pins
 Shielded:
 0: None Shielded
 1: With Top Body Shielded
 Plating: 10=Au 10u"



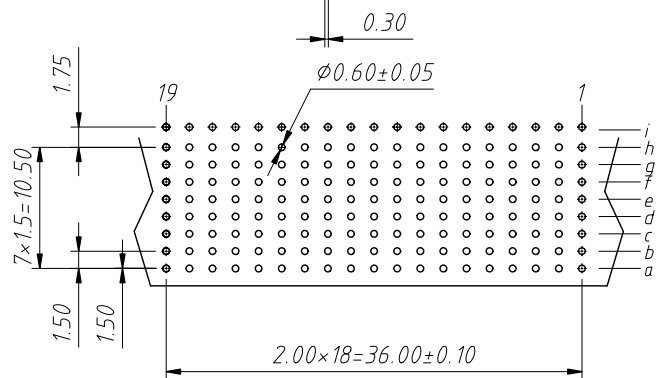
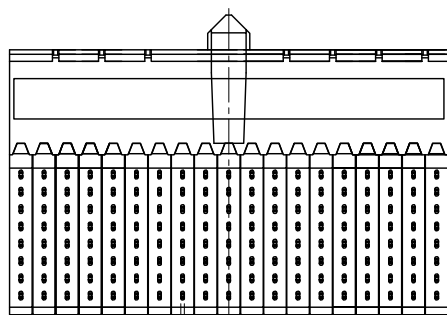
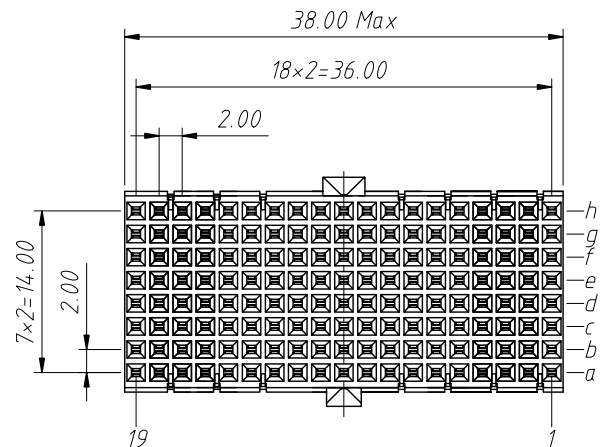
None Shielded



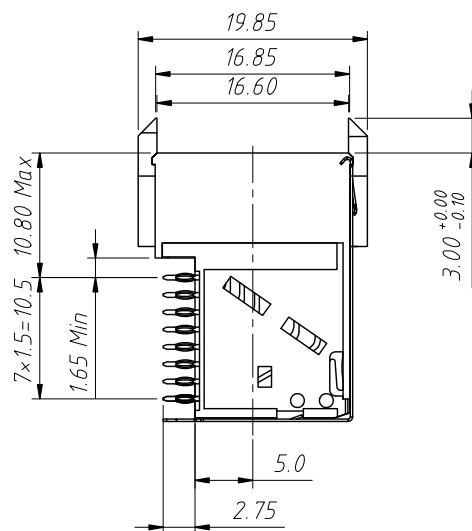
Recommended PCB Layout
 Tolerance: ±0.05mm

ANGLE TOLERANCE	PROJECTION	Description:	2mm Hard Metric Connector 152 Pos Press-Fit DE19 Female	
±3°				
GENERAL TOLERANCE	UNITS	mm	KLS P/N: L-KLS1-HBC-DEF-152-0-10	
x ±0.5	SHEET SIZE	A4	NingBo KLS ELECTRONIC CO.,L TD.	
x.x ±0.25	Draw:	Daniel		2023-05-16
x.xx ±0.15	Check:	Daniel		2023-05-16

RoHS Compliance



Recommended PCB Layout
Tolerance: ±0.05mm



With Top Body Shielded

Material:

Housing: Thermoplastic Polyester Glass

Filled, UL 94 V-0

Contacts: Copper Alloy

Electrical Characteristics:

Current Rating: 1 AMP.

Dielectric Withstanding Voltage:

AC 750V For 1 minute

Insulator Resistance: 10000MΩ min at DC 500V

Contact Resistance: 20mΩ max at DC 100mA.

Operating Temperature: -55°C ~ +125°C

Order Information:

L-KLS1-HBC-DEF-152-1-10

L: RoHS

Housing D Type

M=Male F=Female

No. of 152 Pins

Shielded:

0:None Shielded

1:With Top Body Shielded

Plating: 10=Au 10u"

ANGLE TOLERANCE	PROJECTION	Description:	2mm Hard Metric Connector 152 PosPress-Fit DE19 Female
±3°			
GENERAL TOLERANCE	UNITS	mm	KLS P/N: L-KLS1-HBC-DEF-152-1-10
x ±0.5	SHEET SIZE	A4	
x.x ±0.25	Draw:	Daniel	2023-05-16
x.xx ±0.15	Check:	Daniel	2023-05-16



NingBo KLS ELECTRONIC CO.,L TD.