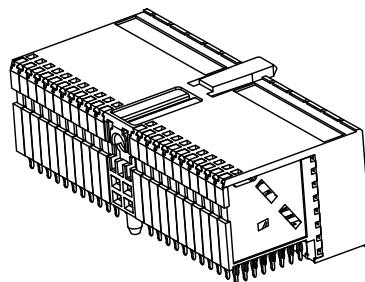
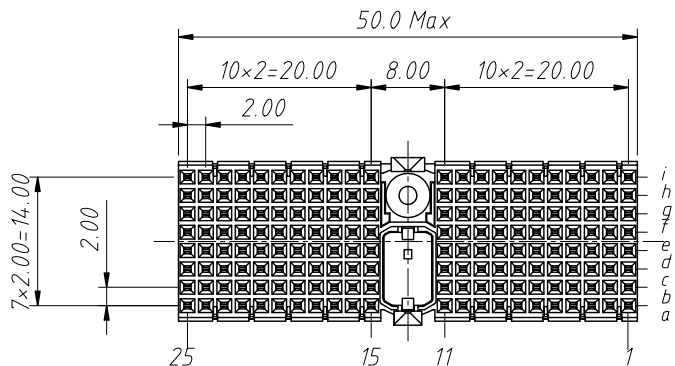
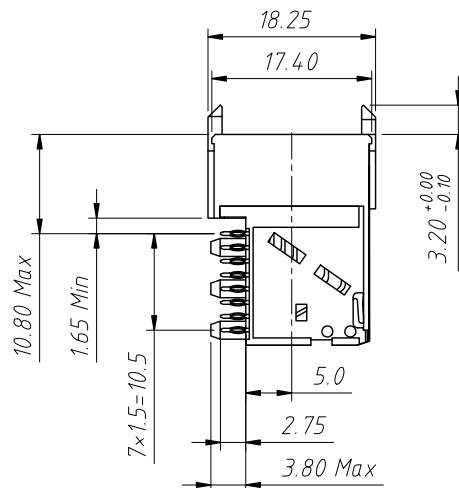
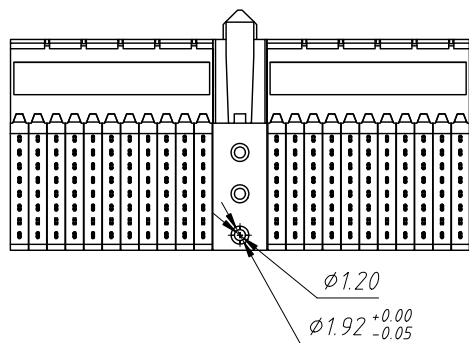


RoHS Compliance



Material:  
 Housing: Thermoplastic Polyester Glass Filled, UL 94V-0  
 Contacts: Copper Alloy

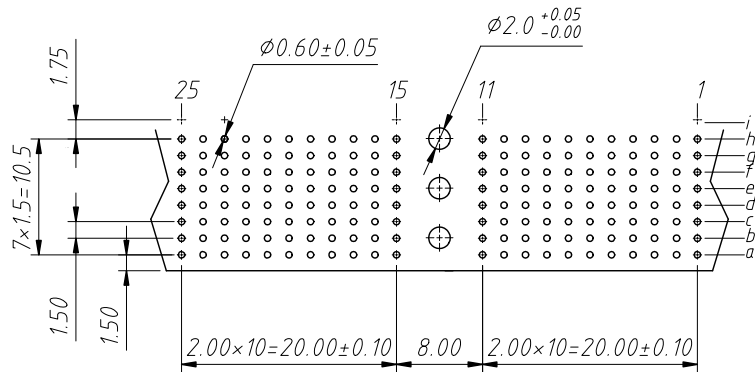
Electrical Characteristics:  
 Current Rating: 1 AMP.  
 Dielectric Withstanding Voltage:  
 AC 750V For 1 minute  
 Insulator Resistance: 10000MΩ min at DC 500V  
 Contact Resistance: 20mΩ max. at DC 100mA.  
 Operating Temperature: -55°C ~ +125°C



Order Information:

L-KLS1-HBC-D F-176-0-10

L: RoHS  
 Housing D Type  
 M=Male F=Female  
 No. of 176 Pins  
 Shielded:  
 0: None Shielded  
 1: With Top Body Shielded  
 Plating: 10=Au 10u"

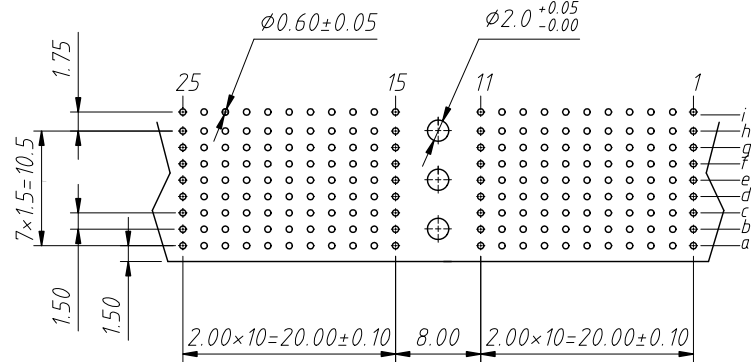
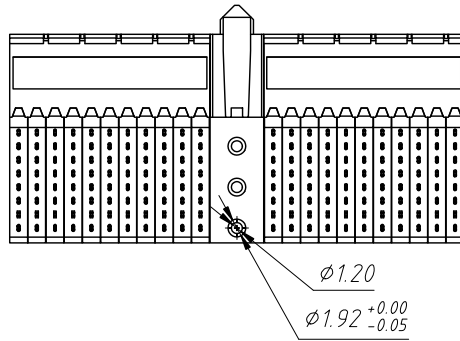
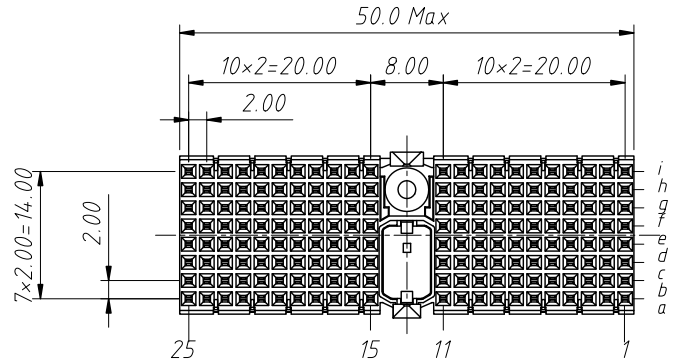


Recommended PCB Layout  
 Tolerance: ±0.05mm

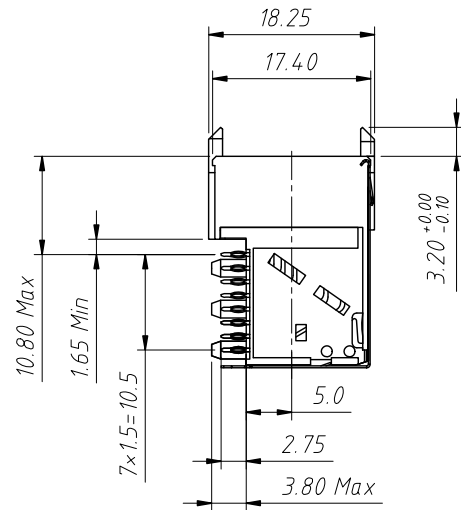
None Shielded

ANGLE TOLERANCE	PROJECTION	Description:
±3°		2mm Hard Metric Connector 176 Pos Press-Fit D22 Female
GENERAL TOLERANCE	UNITS	mm
x ±0.5	SHEET SIZE	A4
x.x ±0.25	Draw:	Daniel 2023-05-10
x.xx ±0.15	Check:	Daniel 2023-05-10
KLS ELECTRONIC		NingBo KLS ELECTRONIC CO.,L TD.

RoHS Compliance



Recommended PCB Layout  
Tolerance: ±0.05mm



With Top Body Shielded

Material:  
Housing: Thermoplastic Polyester Glass Filled, UL 94 V-0  
Contacts: Copper Alloy

Electrical Characteristics:  
Current Rating: 1 AMP.  
Dielectric Withstanding Voltage:  
AC 750V For 1 minute  
Insulator Resistance: 10000M $\Omega$  min at DC 500V  
Contact Resistance: 20m $\Omega$  max. at DC 100mA.  
Operating Temperature: -55°C ~ +125°C

Order Information:

L-KLS1-HBC-D F-176-1-10

L: RoHS  
Housing D Type  
M=Male F=Female  
No. of 176 Pins  
Shielded: \_\_\_\_\_  
0: None Shielded  
1: With Top Body Shielded  
Plating: 10=Au 10u"

ANGLE TOLERANCE	PROJECTION	Description:	2mm Hard Metric Connector 176 Pos Press-Fit D22 Female	
±3°				
GENERAL TOLERANCE	UNITS	mm	KLS P/N: L-KLS1-HBC-DF-176-1-10	
x ±0.5	SHEET SIZE	A4	NingBo KLS ELECTRONIC CO.,L TD.	
x.x ±0.25	Draw:	Daniel		2023-05-10
x.xx ±0.15	Check:	Daniel		2023-05-10