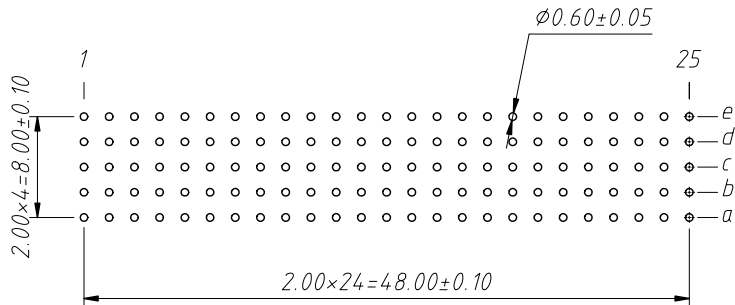
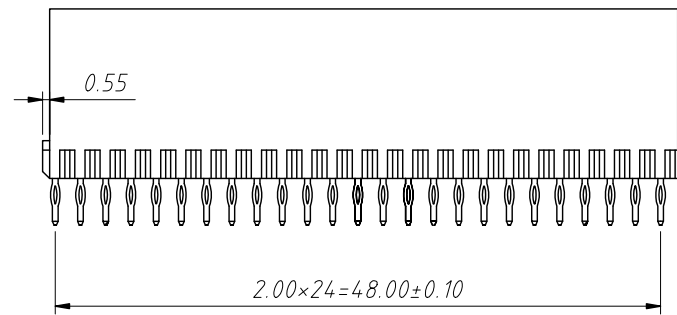
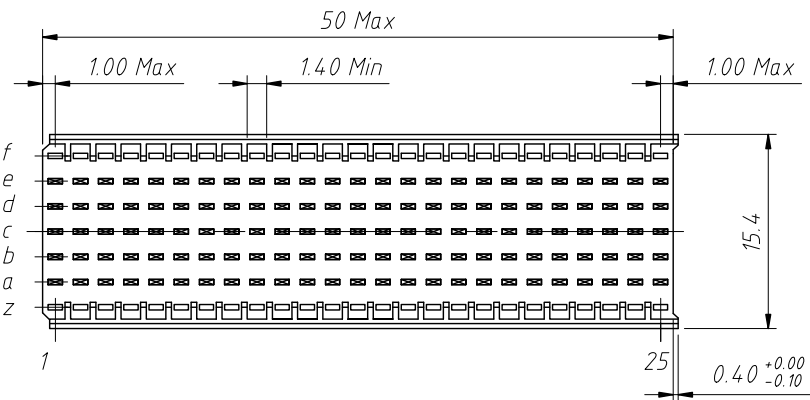
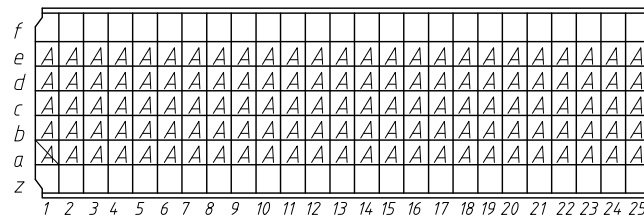
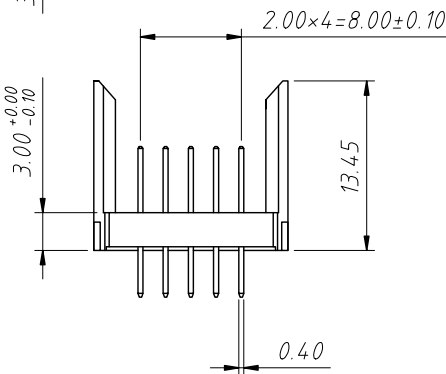
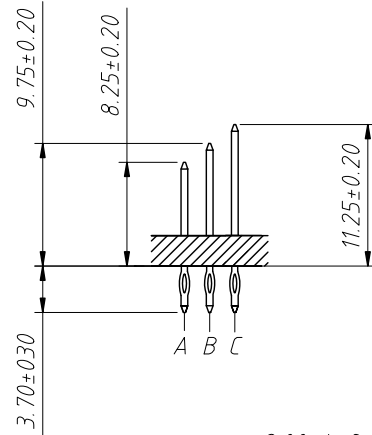


RoHS Compliance



Recommended PCB Layout
Tolerance: ±0.05mm

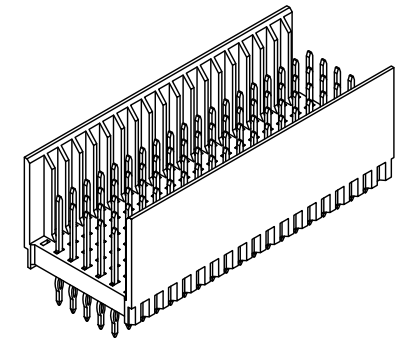


Contact Layout

Material:
Housing: Thermoplastic Polyester Glass
Filled, UL 94 V-0
Contacts: Copper Alloy

Electrical Characteristics:
Current Rating: 1 AMP.
Dielectric Withstanding Voltage:
AC 750V For 1 minute
Insulator Resistance: 10000MΩ min at DC 500V
Contact Resistance: 20mΩ max. at DC 100mA.
Operating Temperature: -55°C ~ +125°C

Order Information:
L-KLS1-HBC-BM-125-1A-0-10
L: RoHS
Housing D Type
M=Male F=Female
No. of 125 Pins
Pin: Composite code
Plating: 10=Au 10u"

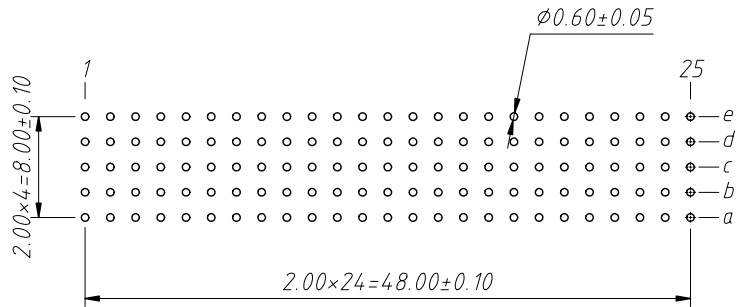
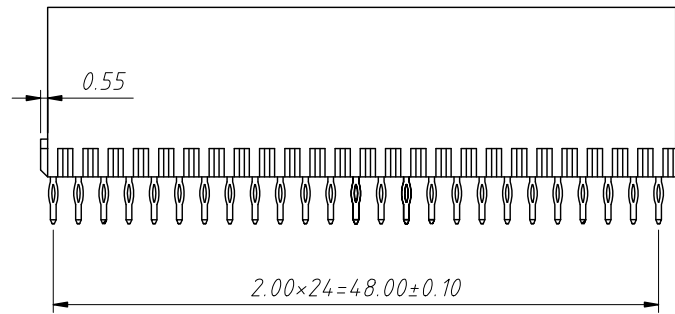
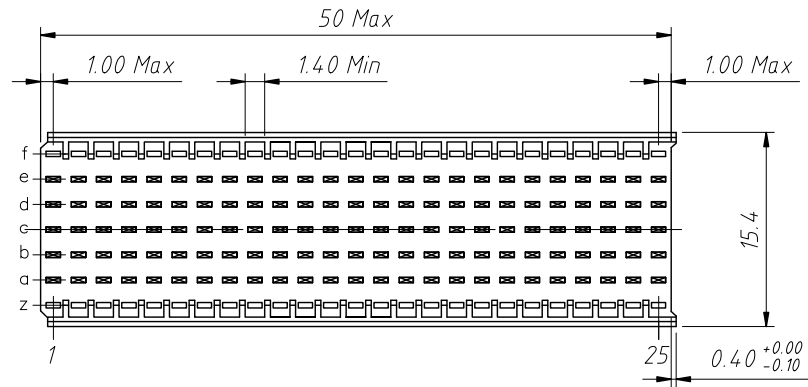


ANGLE TOLERANCE	PROJECTION	Description:	2mm Hard Metric Connector 125 Pos Press-Fit B25 Male
±3°			
GENERAL TOLERANCE	UNITS	mm	KLS P/N:
x ±0.5	SHEET SIZE	A4	L-KLS1-HBC-BM-125-1A-0-10
x.x ±0.25	Draw:	Daniel	2023-05-10
x.xx ±0.15	Check:	Daniel	2023-05-10

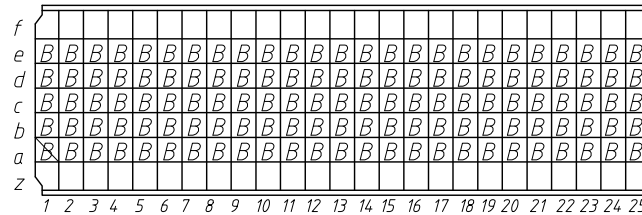
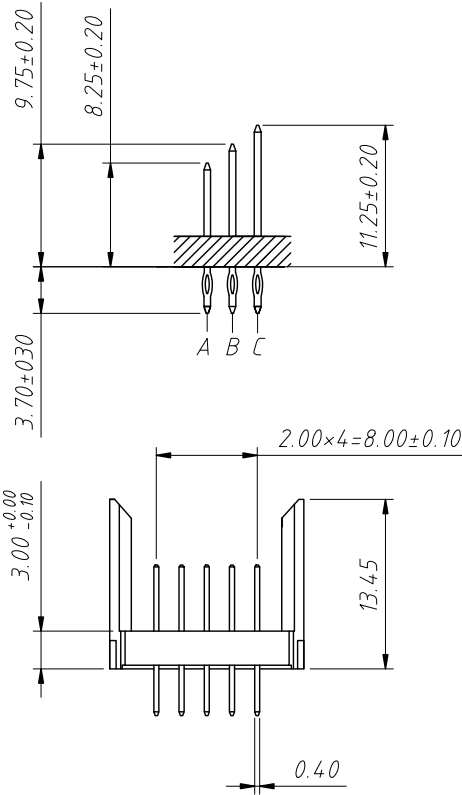


NingBo KLS ELECTRONIC CO.,L TD.

RoHS Compliance



Recommended PCB Layout
Tolerance: ±0.05mm

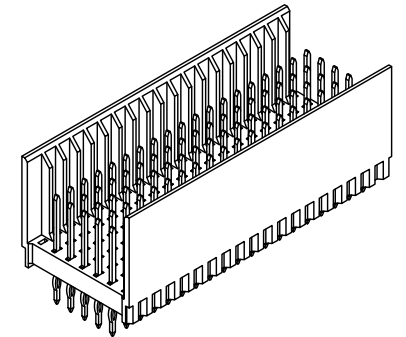


Contact Layout

Material:
Housing: Thermoplastic Polyester Glass Filled, UL 94 V-0
Contacts: Copper Alloy

Electrical Characteristics:
Current Rating: 1 AMP.
Dielectric Withstanding Voltage:
AC 750V For 1 minute
Insulator Resistance: 10000MΩ min at DC 500V
Contact Resistance: 20mΩ max. at DC 100mA.
Operating Temperature: -55°C ~ +125°C

Order Information:
L-KLS1-HBC-BM-125-1B-0-10
L: RoHS
Housing D Type
M=Male F=Female
No. of 125 Pins
Pin: Composite code
Plating: 10=Au 10u"

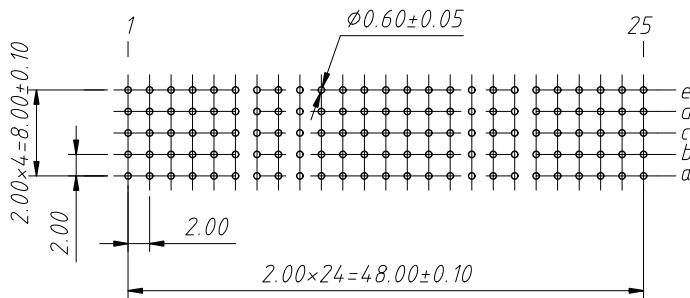
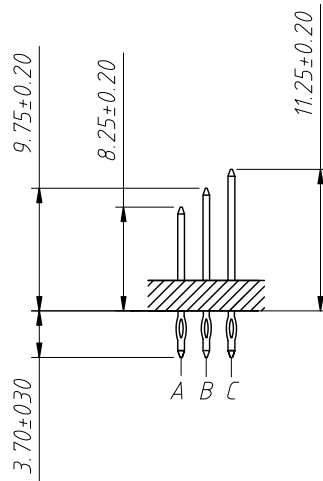
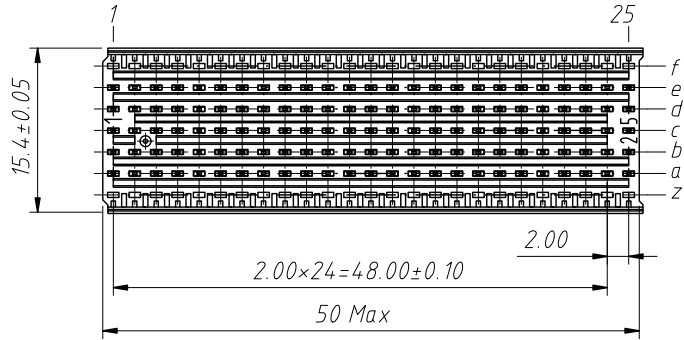
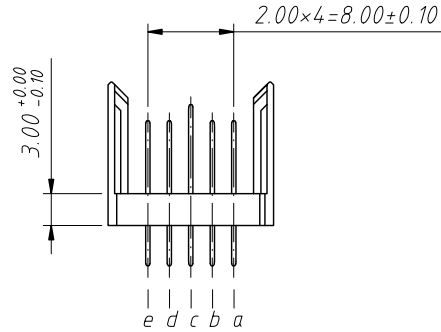
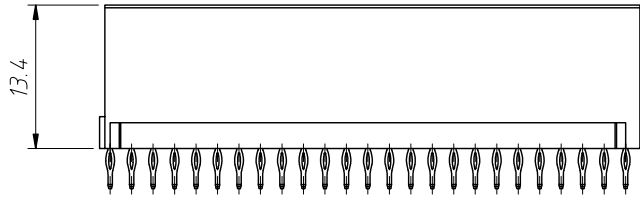


ANGLE TOLERANCE	PROJECTION	Description:	2mm Hard Metric Connector 125 Pos Press-Fit B25 Male
±3°			
GENERAL TOLERANCE	UNITS	mm	KLS P/N:
x ±0.5	SHEET SIZE	A4	L-KLS1-HBC-BM-125-1B-0-10
x.x ±0.25	Draw:	Daniel	2023-05-10
x.xx ±0.15	Check:	Daniel	2023-05-10

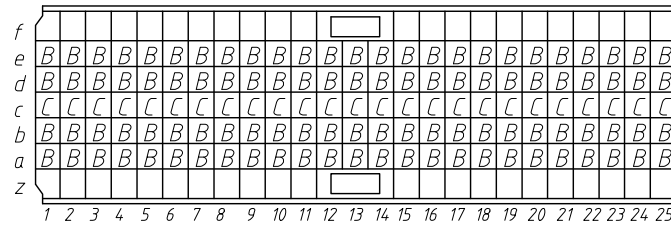


NingBo KLS ELECTRONIC CO.,L.TD.

1 RoHS Compliance



Recommended PCB Layout
Tolerance: ±0.05mm



Contact Layout

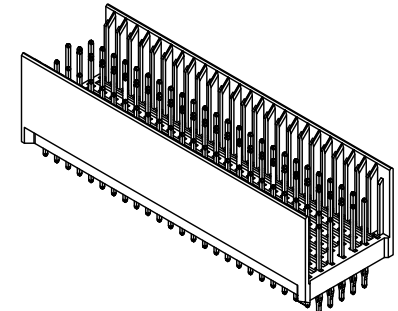
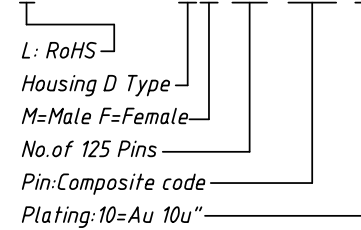
ANGLE TOLERANCE	PROJECTION	Description:	2mm Hard Metric Connector 125 Pos Press-Fit B25 Female
±3°			
GENERAL TOLERANCE	UNITS	mm	KLS P/N:
x ±0.5	SHEET SIZE	A4	L-KLS1-HBC-BM-125-1205-10
x.x ±0.25	Draw:	Daniel	2023-05-10
x.xx ±0.15	Check:	Daniel	2023-05-10

Material:
Housing: Thermoplastic Polyester Glass
Filled, UL 94V-0
Contacts: Copper Alloy

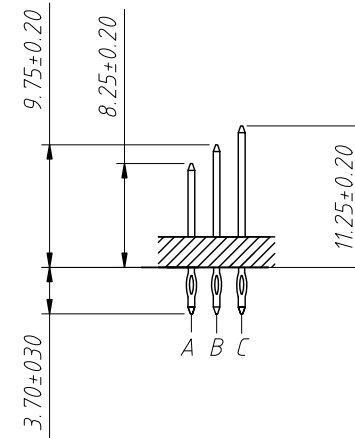
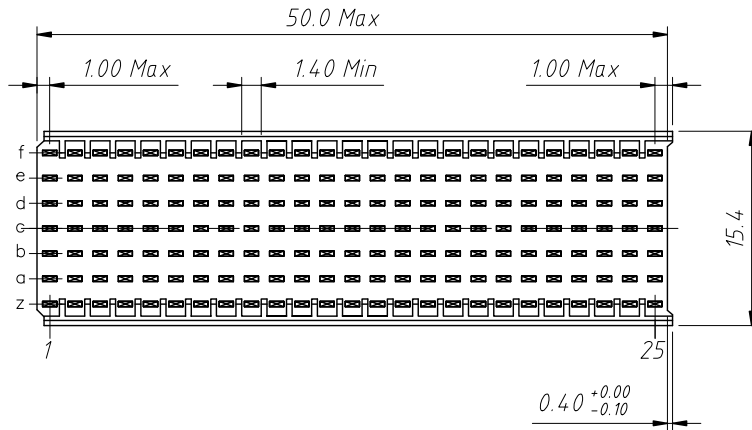
Electrical Characteristics:
Current Rating: 1 AMP.
Dielectric Withstanding Voltage:
AC 750V For 1 minute
Insulator Resistance: 10000MΩ min at DC 500V
Contact Resistance: 20mΩ max. at DC 100mA.
Operating Temperature: -55°C ~ +125°C

Order Information:

L-KLS1-HBC-BM-125-1205-10

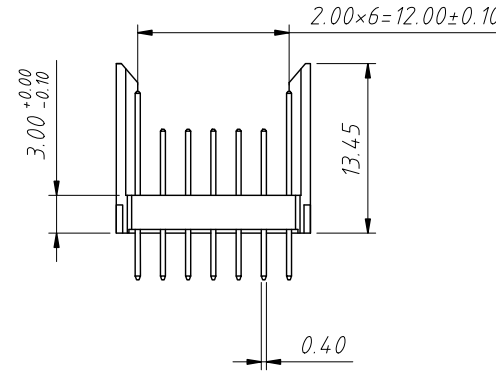
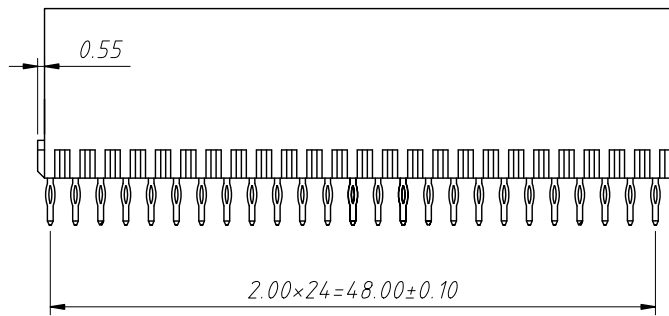


RoHS Compliance

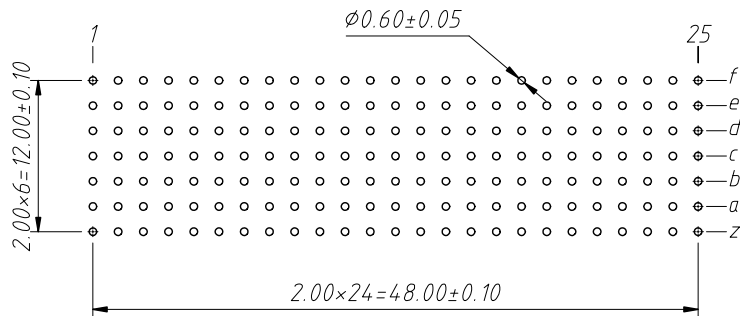


Material:
Housing: Thermoplastic Polyester Glass Filled, UL 94 V-0
Contacts: Copper Alloy

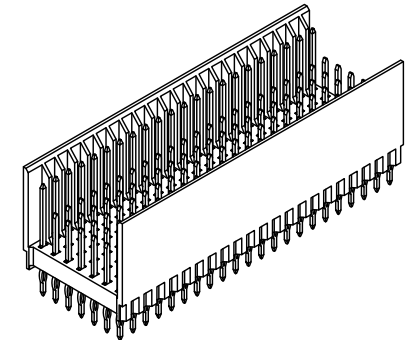
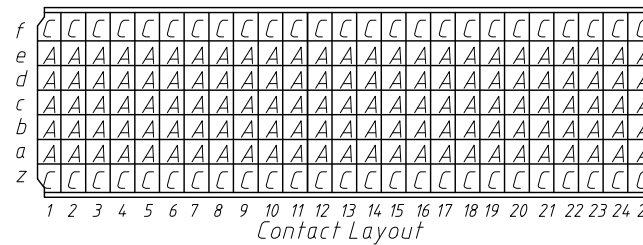
Electrical Characteristics:
Current Rating: 1 AMP.
Dielectric Withstanding Voltage:
AC 750V For 1 minute
Insulator Resistance: 10000MΩ min at DC 500V
Contact Resistance: 20mΩ max. at DC 100mA.
Operating Temperature: -55°C ~ +125°C



Order Information:
L-KLS1-HBC-BM-175-1A-1-10
L: RoHS
Housing D Type
M=Male F=Female
No. of 175 Pins
Pin: Composite code
Plating: 10=Au 10u"



Recommended PCB Layout
Tolerance: ±0.05mm

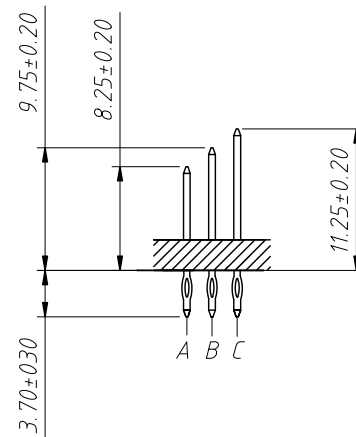
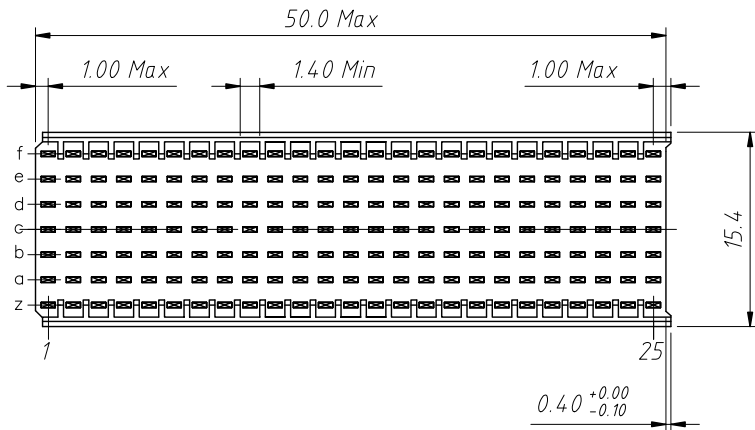


ANGLE TOLERANCE	PROJECTION	Description:	2mm Hard Metric Connector 175 Pos Press-Fit B25 Male
±3°			
GENERAL TOLERANCE	UNITS	mm	KLS P/N:
x ±0.5	SHEET SIZE	A4	L-KLS1-HBC-BM-175-1A-1-10
x.x ±0.25	Draw:	Daniel	2023-05-12
x.xx ±0.15	Check:	Daniel	2023-05-12



NingBo KLS ELECTRONIC CO.,LTD.

1 RoHS Compliance



Material:

Housing: Thermoplastic Polyester Glass

Filled, UL 94V-0

Contacts: Copper Alloy

Electrical Characteristics:

Current Rating: 1 AMP.

Dielectric Withstanding Voltage:

AC 750V For 1 minute

Insulator Resistance: 10000MΩ min at DC 500V

Contact Resistance: 20mΩ max. at DC 100mA.

Operating Temperature: -55°C ~ +125°C

Order Information:

L-KLS1-HBC-BM-175-1B-1-10

L: RoHS

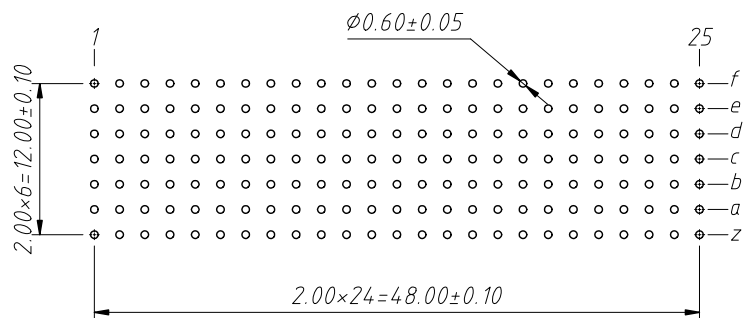
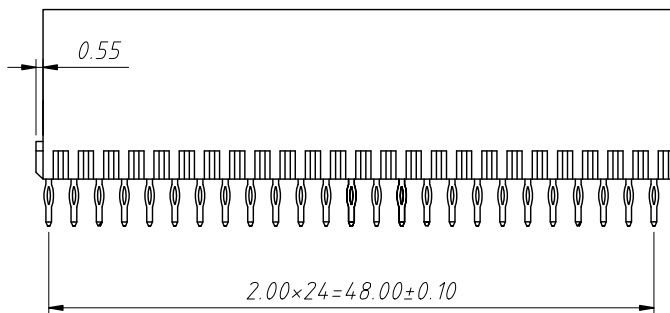
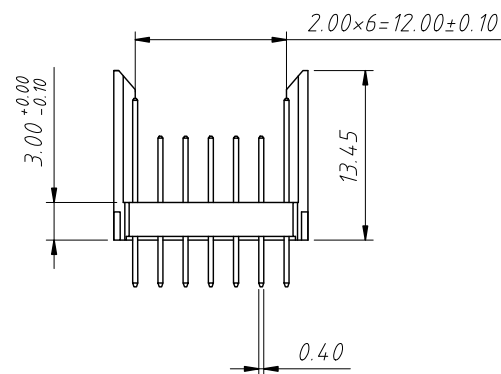
Housing D Type

M=Male F=Female

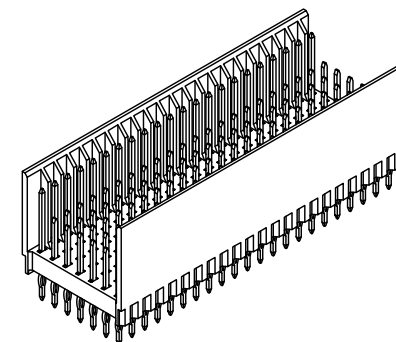
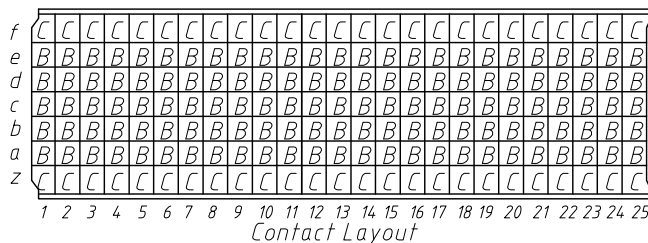
No. of 175 Pins

Pin: Composite code

Plating: 10=Au 10u"



Recommended PCB Layout
Tolerance: ±0.05mm

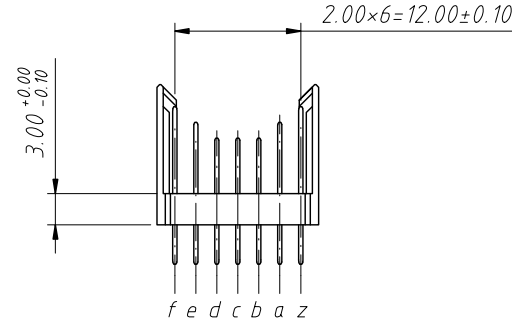
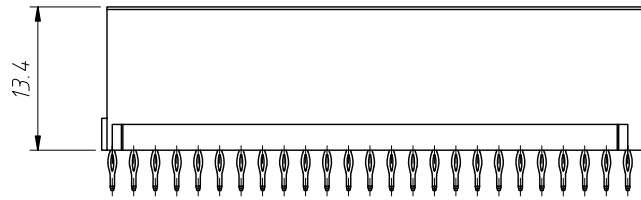


ANGLE TOLERANCE	PROJECTION	Description:	2mm Hard Metric Connector 175 Pos Press-Fit B25 Male
±3°			
GENERAL TOLERANCE	UNITS	mm	KLS P/N:
x ±0.5	SHEET SIZE	A4	L-KLS1-HBC-BM-175-1B-1-10
x.x ±0.25	Draw:	Daniel	2023-05-12
x.xx ±0.15	Check:	Daniel	2023-05-12



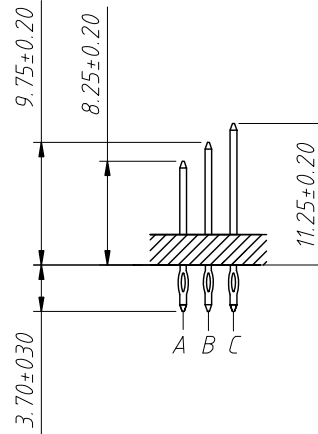
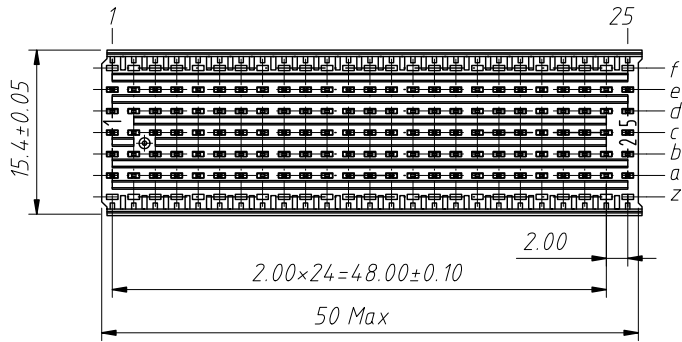
NingBo KLS ELECTRONIC CO.,LTD.

1 RoHS Compliance



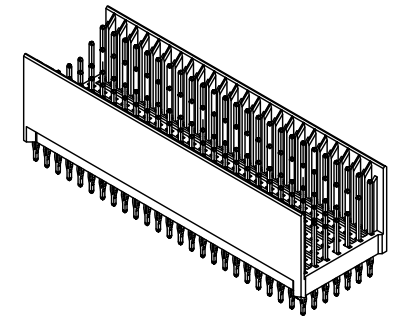
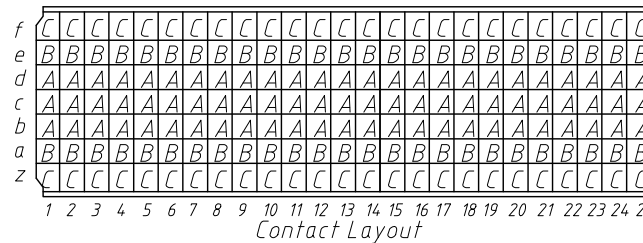
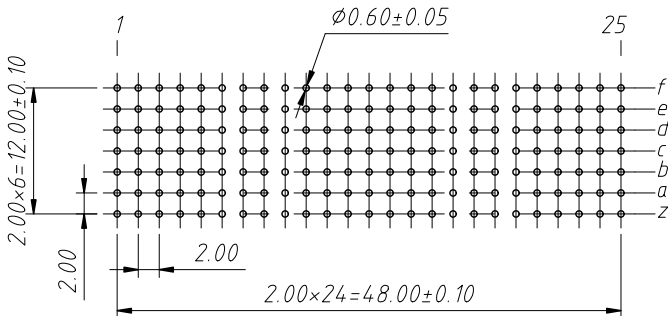
Material:
 Housing: Thermoplastic Polyester Glass
 Filled, UL 94 V-0
 Contacts: Copper Alloy

Electrical Characteristics:
 Current Rating: 1 AMP.
 Dielectric Withstanding Voltage:
 AC 750V For 1 minute
 Insulator Resistance: 10000MΩ min at DC 500V
 Contact Resistance: 20mΩ max. at DC 100mA.
 Operating Temperature: -55°C ~ +125°C



Order Information:
 L-KLS1-HBC-BM-175-1202-10

L: RoHS
 Housing D Type
 M=Male F=Female
 No. of 175 Pins
 Pin: Composite code
 Plating: 10=Au 10u"



Recommended PCB Layout
 Tolerance: ±0.05mm

ANGLE TOLERANCE	PROJECTION	Description:	2mm Hard Metric Connector 175 Pos Press-Fit B25 Male
±3°			
GENERAL TOLERANCE	UNITS	mm	KLS P/N: L-KLS1-HBC-BM-175-1202-10
x ±0.5	SHEET SIZE	A4	
x.x ±0.25	Draw:	Daniel	2023-05-12
x.xx ±0.15	Check:	Daniel	2023-05-12

NingBo KLS ELECTRONIC CO.,L TD.