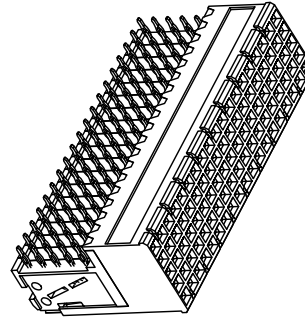
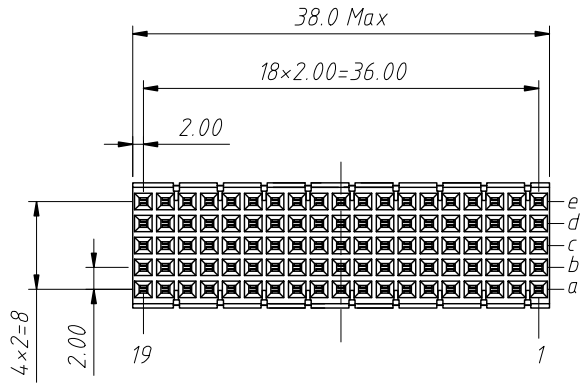
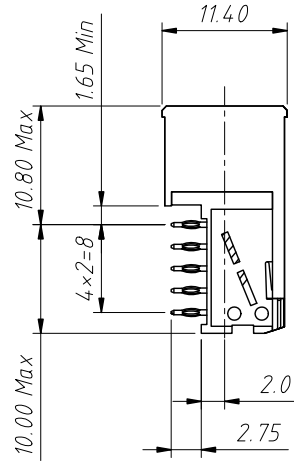
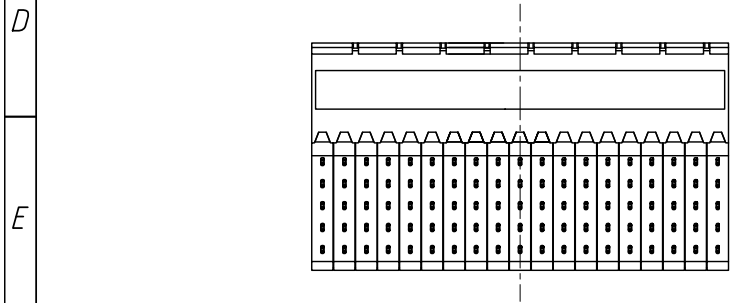


1 RoHS Compliance



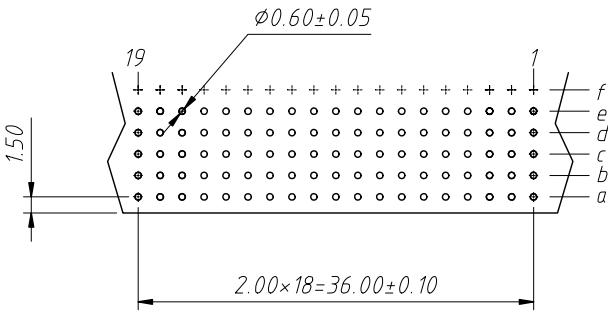
Material:
 Housing: Thermoplastic Polyester Glass
 Filled, UL 94V-0
 Contacts: Copper Alloy

Electrical Characteristics:
 Current Rating: 1 AMP.
 Dielectric Withstanding Voltage:
 AC 750V For 1 minute
 Insulator Resistance: 10000MΩ min at DC 500V
 Contact Resistance: 20mΩ max. at DC 100mA.
 Operating Temperature: -55°C ~ +125°C



Order Information:
 L-KLS1-HBC-B F-095-0-10
 L: RoHS
 Housing D Type
 M=Male F=Female
 No. of 95 Pins
 Shielded:
 0: None Shielded
 1: With Top Body Shielded
 Plating: 10=Au 10u"

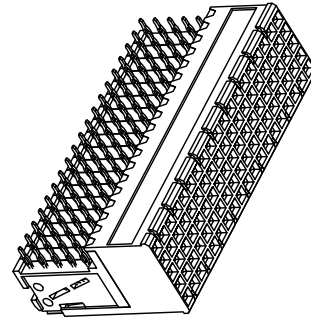
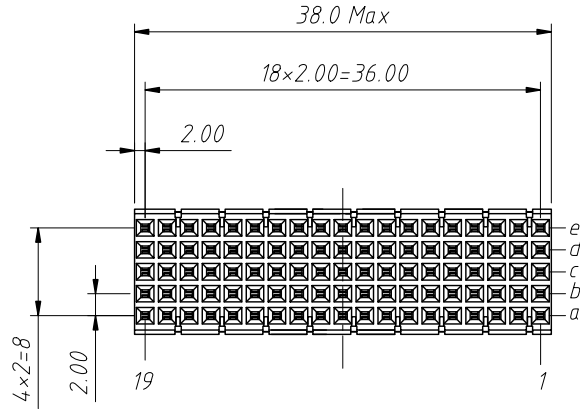
None Shielded



Recommended PCB Layout
 Tolerance: ±0.05mm

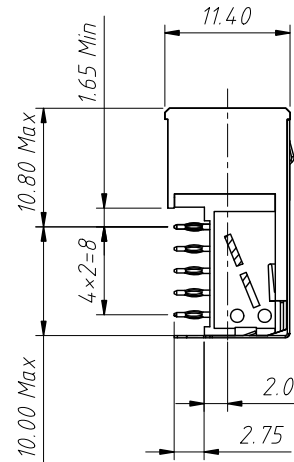
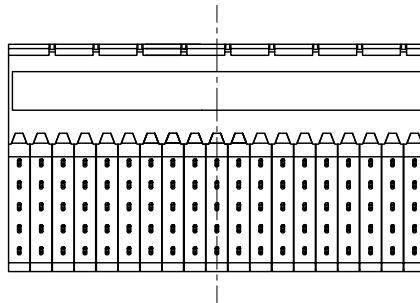
ANGLE TOLERANCE	PROJECTION	Description:	2mm Hard Metric Connector 95 Pos Press-Fit B19 Female	
±3°				
GENERAL TOLERANCE	UNITS	mm	KLS P/N: L-KLS1-HBC-BF-095-0-10	
x ±0.5	SHEET SIZE	A4	NingBo KLS ELECTRONIC CO.,LTD.	
x.x ±0.25	Draw:	Daniel		2023-05-10
x.xx ±0.15	Check:	Daniel		2023-05-10

RoHS Compliance



Material:
 Housing: Thermoplastic Polyester Glass Filled, UL 94 V-0
 Contacts: Copper Alloy

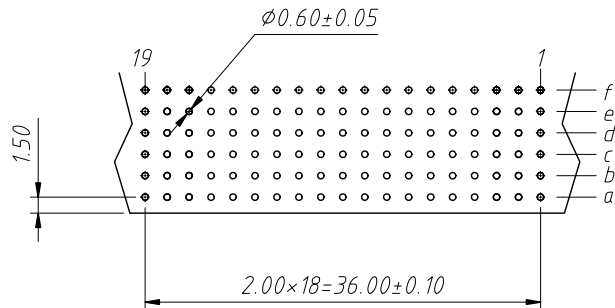
Electrical Characteristics:
 Current Rating: 1 AMP.
 Dielectric Withstanding Voltage:
 AC 750V For 1 minute
 Insulator Resistance: 10000M Ω min at DC 500V
 Contact Resistance: 20m Ω max. at DC 100mA.
 Operating Temperature: -55°C ~ +125°C



Order Information:
 L-KLS1-HBC-B F-095-1-10

L: RoHS
 Housing D Type
 M=Male F=Female
 No. of 95 Pins
 Shielded:
 0: None Shielded
 1: With Top Body Shielded
 Plating: 10=Au 10u"

With Top Body Shielded



Recommended PCB Layout
 Tolerance: ±0.05mm

ANGLE TOLERANCE	PROJECTION	Description:	2mm Hard Metric Connector 95 Pos Press-Fit B19 Female
±3°			
GENERAL TOLERANCE	UNITS	mm	KLS P/N:
x ±0.5	SHEET SIZE	A4	L-KLS1-HBC-BF-095-1-10
x.x ±0.25	Draw:	Daniel	2023-05-12
x.xx ±0.15	Check:	Daniel	2023-05-12



NingBo KLS ELECTRONIC CO.,LTD.