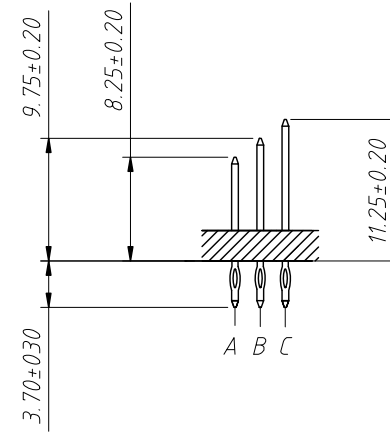
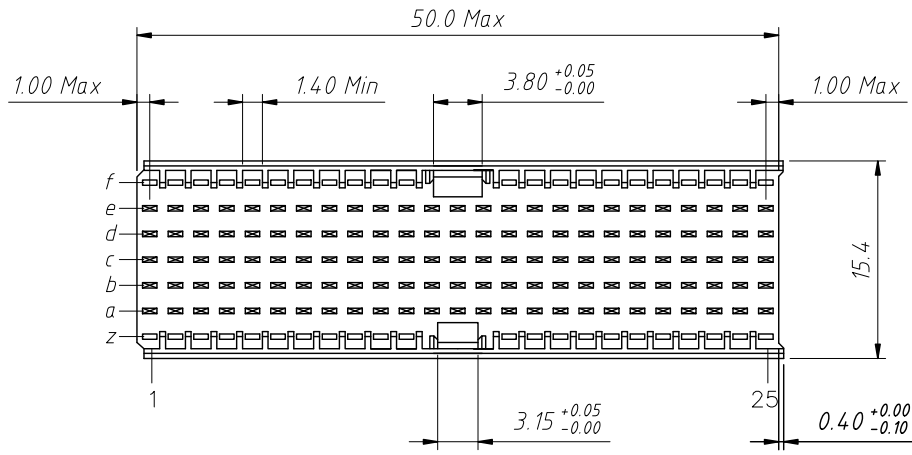
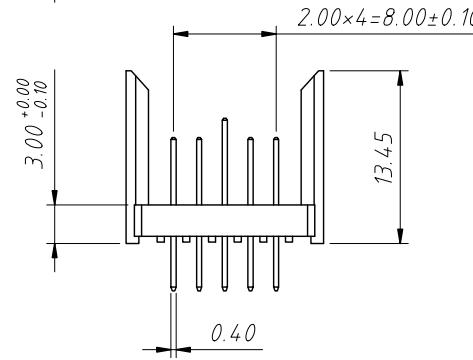
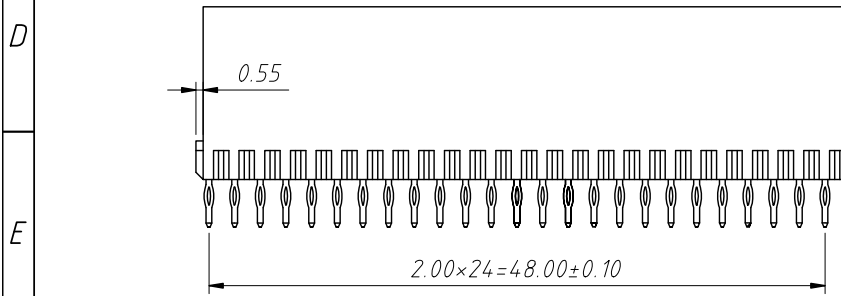


RoHS Compliance

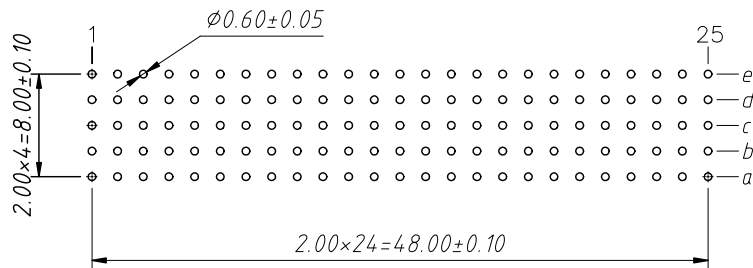
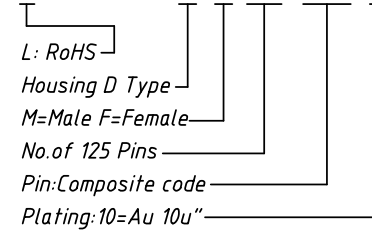


Material:
 Housing: Thermoplastic Polyester Glass Filled, UL 94 V-0
 Contacts: Copper Alloy

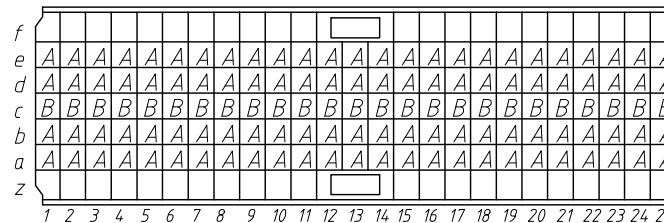
Electrical Characteristics:
 Current Rating: 1 AMP.
 Dielectric Withstanding Voltage:
 AC 750V For 1 minute
 Insulator Resistance: 10000MΩ min at DC 500V
 Contact Resistance: 20mΩ max. at DC 100mA.
 Operating Temperature: -55°C ~ +125°C



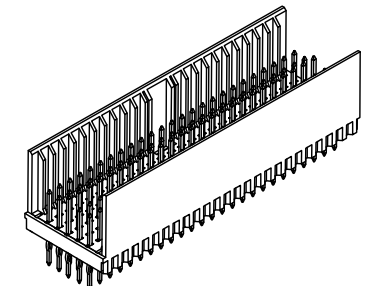
Order Information:
 L-KLS1-HBC-ABM-125-17-0-10



Recommended PCB Layout
 Tolerance: ±0.05mm



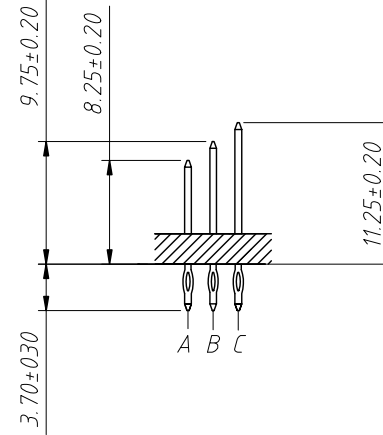
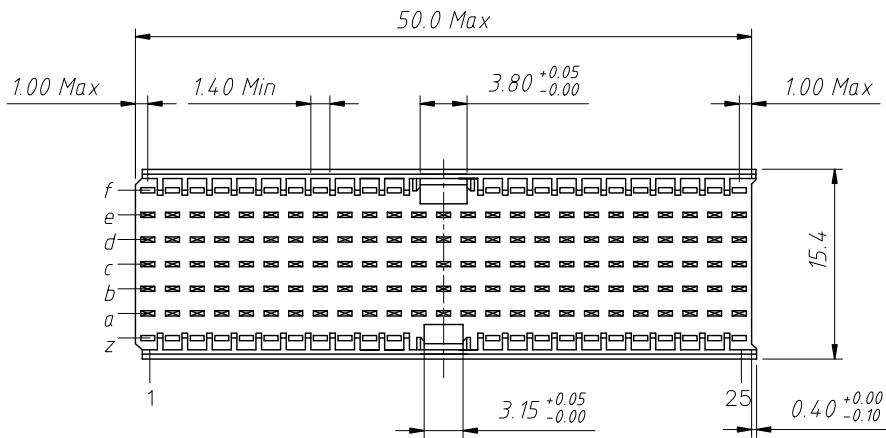
Contact Layout



ANGLE TOLERANCE	PROJECTION	Description:	2mm Hard Metric Connector 125 Pos Press-Fit AB25 Male
±3°			
GENERAL TOLERANCE	UNITS	mm	KLS P/N:
x ±0.5	SHEET SIZE	A4	L-KLS1-HBC-ABM-125-17-0-10
x.x ±0.25	Draw:	Daniel	2023-05-13
x.xx ±0.15	Check:	Daniel	2023-05-13

KLS NingBo KLS ELECTRONIC CO.,L TD.

RoHS Compliance

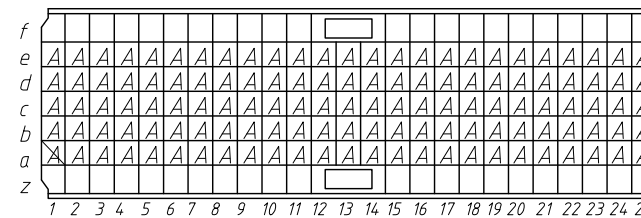
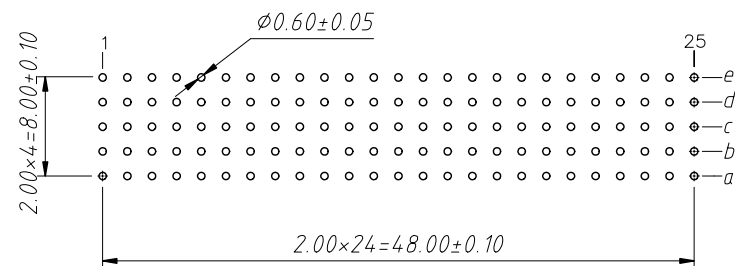
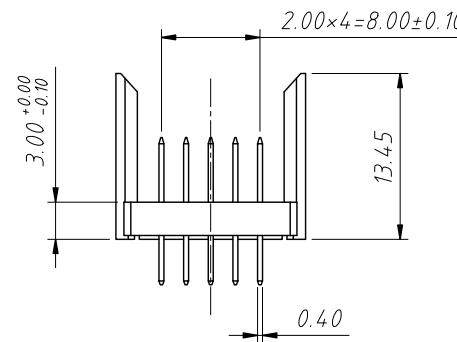
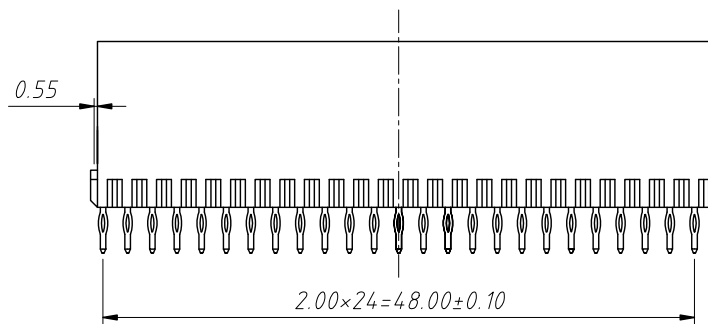
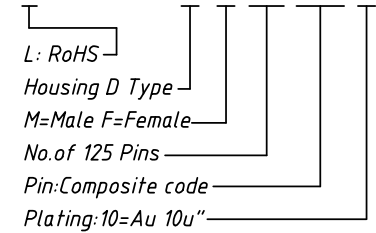


Material:
 Housing: Thermoplastic Polyester Glass
 Filled, UL 94V-0
 Contacts: Copper Alloy

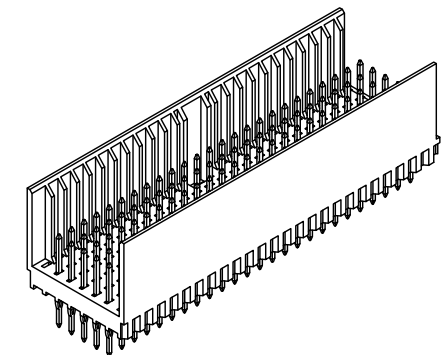
Electrical Characteristics:
 Current Rating: 1 AMP.
 Dielectric Withstanding Voltage:
 AC 750V For 1 minute
 Insulator Resistance: 10000MΩ min at DC 500V
 Contact Resistance: 20mΩ max. at DC 100mA.
 Operating Temperature: -55°C ~ +125°C

Order Information:

L-KLS1-HBC-ABM-125-A-1-10



Contact Layout



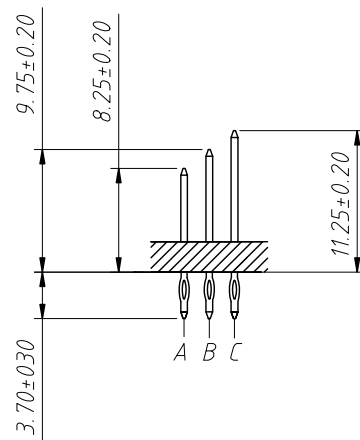
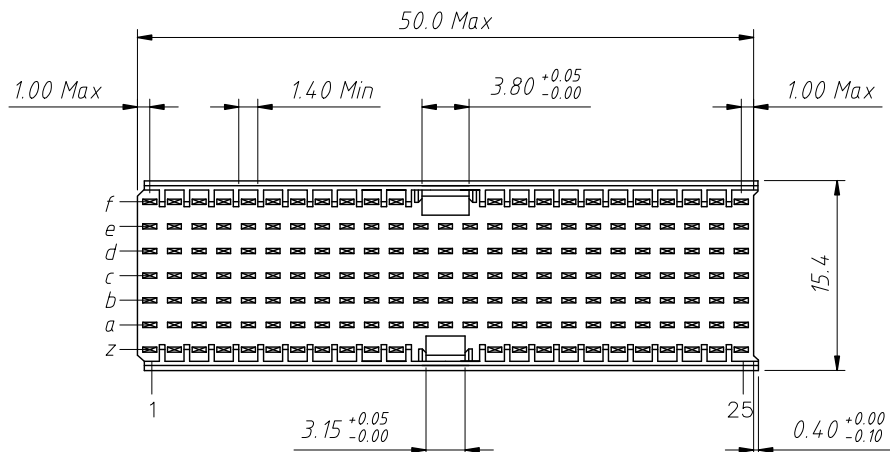
Recommended PCB Layout
 Tolerance: ±0.05mm

ANGLE TOLERANCE	PROJECTION	Description:	2mm Hard Metric Connector 125 Pos Press-Fit AB25 Male
±3°			
GENERAL TOLERANCE	UNITS	mm	KLS P/N:
x ±0.5	SHEET SIZE	A4	L-KLS1-HBC-ABM-125-A-1-10
x.x ±0.25	Draw:	Daniel	2023-05-13
x.xx ±0.15	Check:	Daniel	2023-05-13



NingBo KLS ELECTRONIC CO.,LTD.

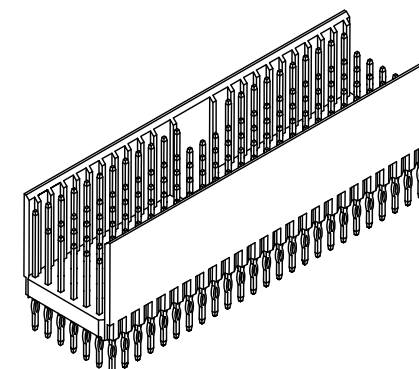
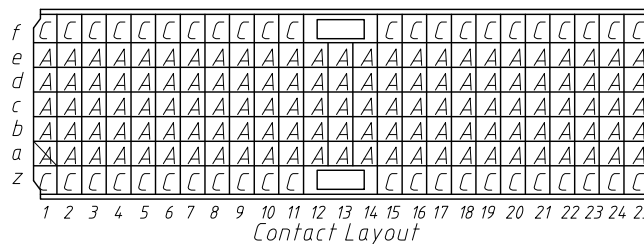
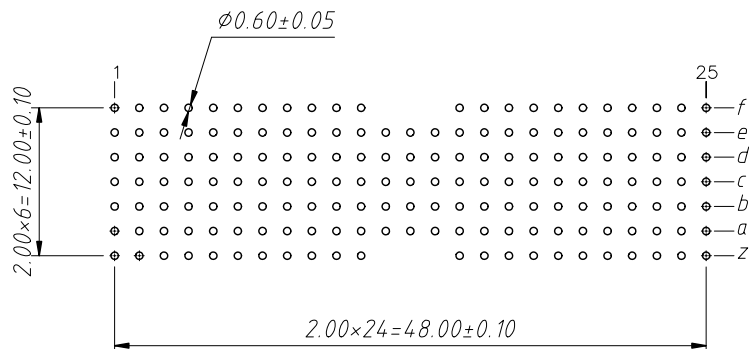
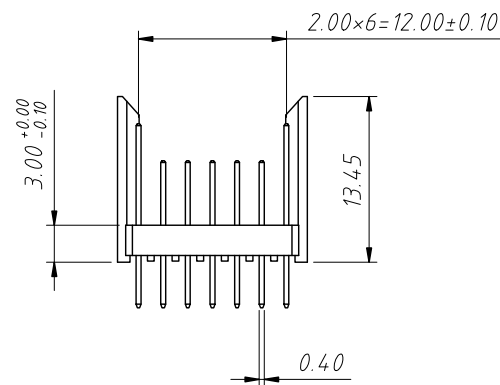
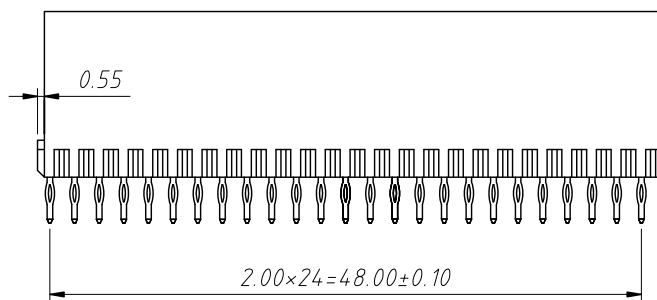
1 RoHS Compliance



Material:
Housing: Thermoplastic Polyester Glass Filled, UL 94 V-0
Contacts: Copper Alloy

Electrical Characteristics:
Current Rating: 1 AMP.
Dielectric Withstanding Voltage:
AC 750V For 1 minute
Insulator Resistance: 10000MΩ min at DC 500V
Contact Resistance: 20mΩ max. at DC 100mA.
Operating Temperature: -55°C ~ +125°C

Order Information:
L-KLS1-HBC-ABM-169-A-1-10
L: RoHS
Housing D Type
M=Male F=Female
No. of 169 Pins
Pin: Composite code
Plating: 10=Au 10u"



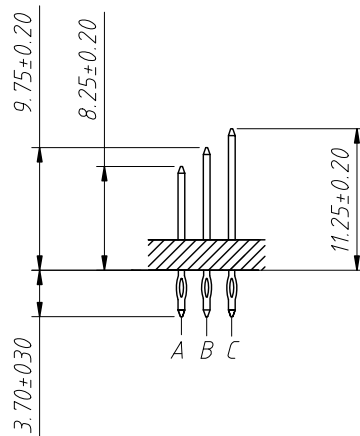
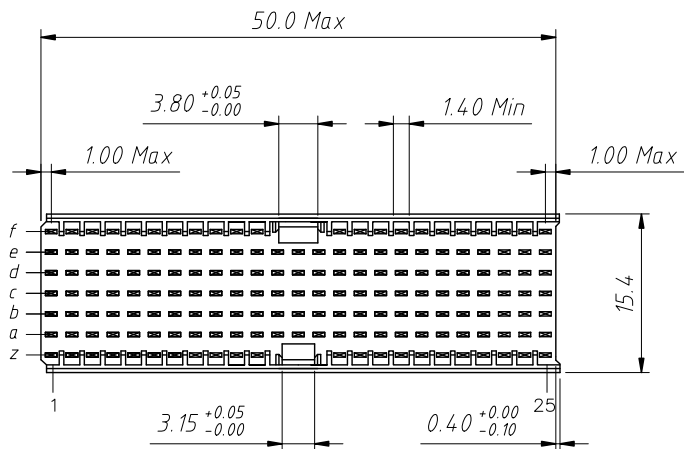
Recommended PCB Layout
Tolerance: ±0.05mm

ANGLE TOLERANCE	PROJECTION	Description:	2mm Hard Metric Connector 169 Pos Press-Fit AB25 Male
±3°			
GENERAL TOLERANCE	UNITS	mm	KLS P/N: L-KLS1-HBC-ABM-169-A-1-10
x ±0.5	SHEET SIZE	A4	
x.x ±0.25	Draw:	Daniel	2023-05-13
x.xx ±0.15	Check:	Daniel	2023-05-13



NingBo KLS ELECTRONIC CO.,L.TD.

1 RoHS Compliance



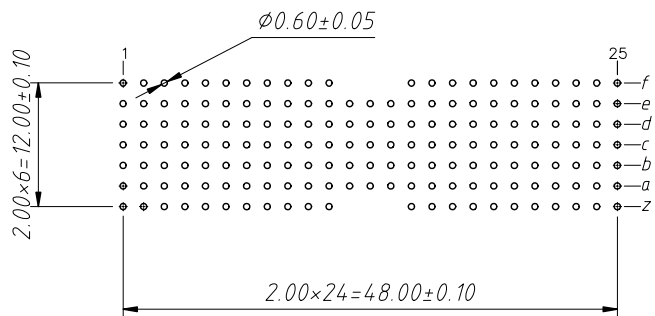
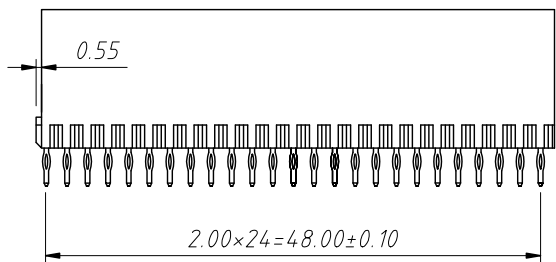
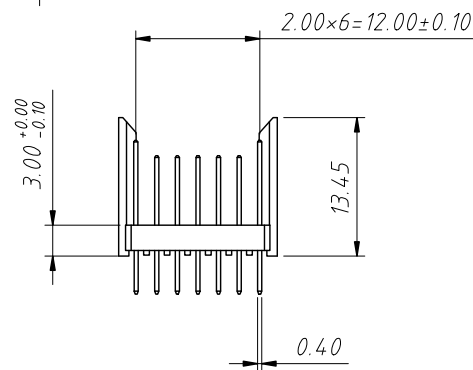
Material:
Housing: Thermoplastic Polyester Glass
Filled, UL 94 V-0
Contacts: Copper Alloy

Electrical Characteristics:
Current Rating: 1 AMP.
Dielectric Withstanding Voltage:
AC 750V For 1 minute
Insulator Resistance: 10000MΩ min at DC 500V
Contact Resistance: 20mΩ max. at DC 100mA.
Operating Temperature: -55°C ~ +125°C

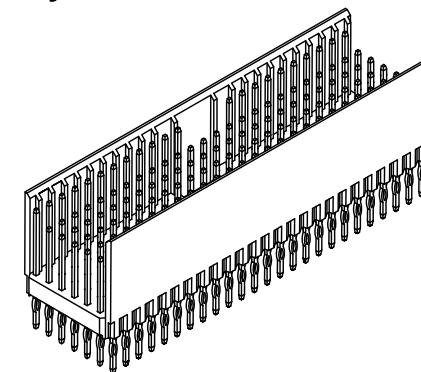
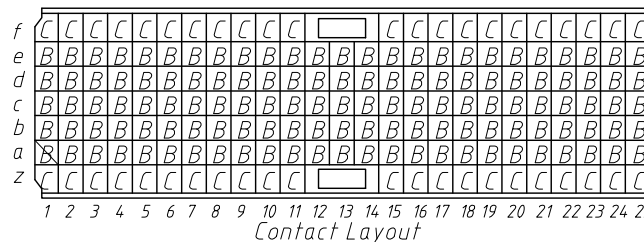
Order Information:

L-KLS1-HBC-ABM-169-B-1-10

L: RoHS
Housing D Type
M=Male F=Female
No. of 169 Pins
Pin: Composite code
Plating: 10=Au 10u"



Recommended PCB Layout
Tolerance: ±0.05mm



ANGLE TOLERANCE	PROJECTION	Description:	2mm Hard Metric Connector 169 Pos Press-Fit AB25 Male
±3°			
GENERAL TOLERANCE	UNITS	mm	KLS P/N:
x ±0.5	SHEET SIZE	A4	L-KLS1-HBC-ABM-169-B-1-10
x.x ±0.25	Draw:	Daniel	2023-05-13
x.xx ±0.15	Check:	Daniel	2023-05-13



NingBo KLS ELECTRONIC CO.,L TD.