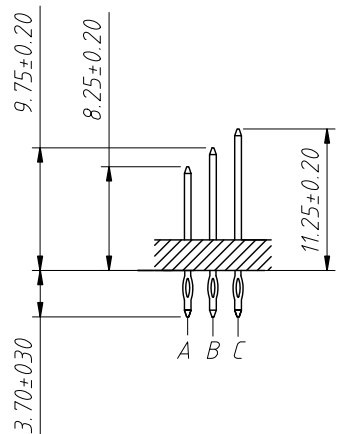
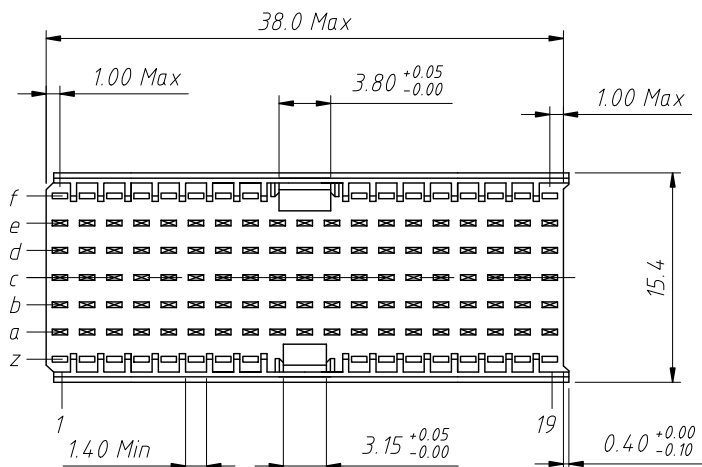
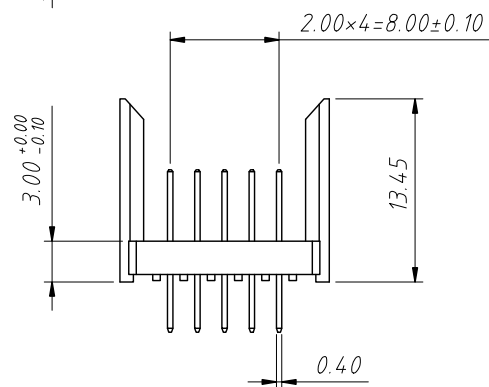
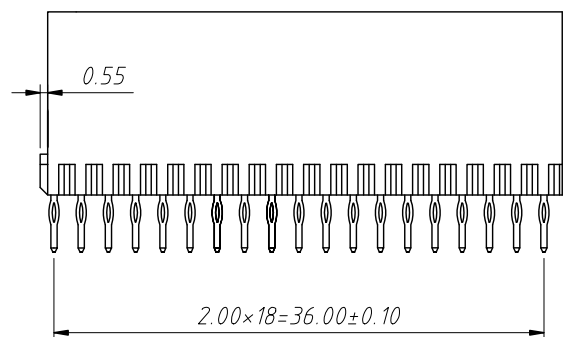


1 RoHS Compliance

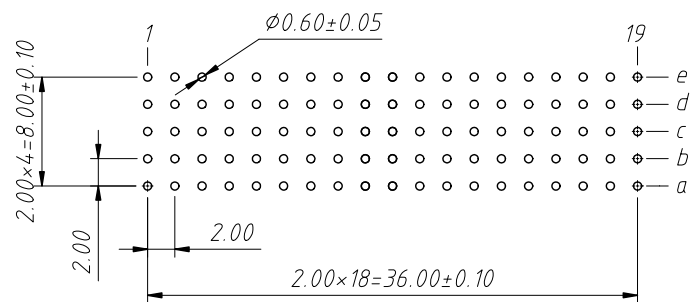


Material:
Housing: Thermoplastic Polyester Glass Filled, UL 94 V-0
Contacts: Copper Alloy

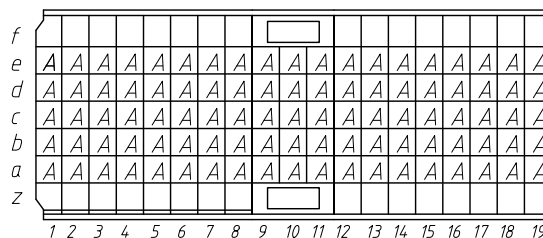
Electrical Characteristics:
Current Rating: 1 AMP.
Dielectric Withstanding Voltage:
AC 750V For 1 minute
Insulator Resistance: 10000MΩ min at DC 500V
Contact Resistance: 20mΩ max. at DC 100mA.
Operating Temperature: -55°C ~ +125°C



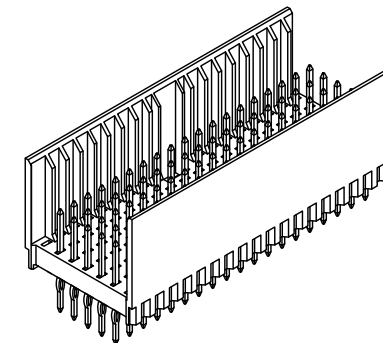
Order Information:
L-KLS1-HBC-ABM-095-1A-0-10
L: RoHS
Housing D Type
M=Male F=Female
No. of 95 Pins
Pin: Composite code
Plating: 10=Au 10u"



Recommended PCB Layout
Tolerance: ±0.05mm



Contact Layout

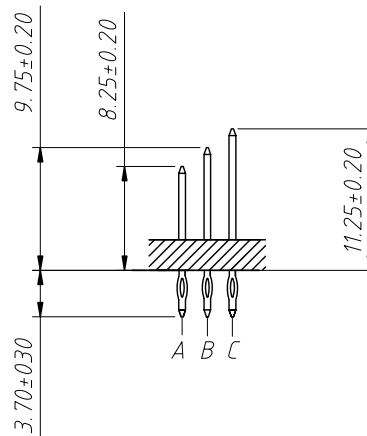
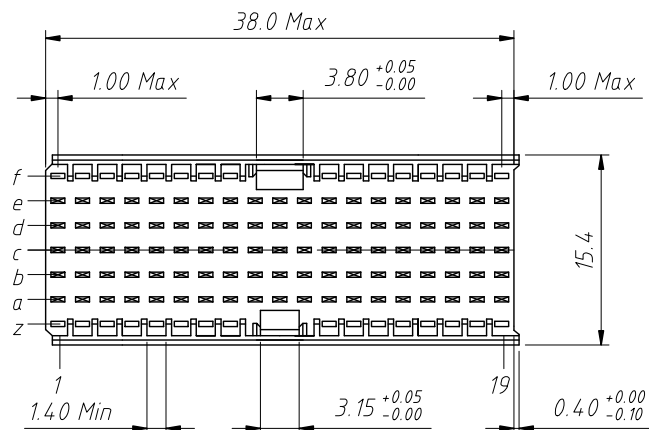


ANGLE TOLERANCE	PROJECTION	Description:	2mm Hard Metric Connector 95 Pos Press-Fit AB19 Male
±3°			
GENERAL TOLERANCE	UNITS	mm	KLS P/N:
x ±0.5	SHEET SIZE	A4	L-KLS1-HBC-ABM-095-1A-0-10
x.x ±0.25	Draw:	Daniel	2023-05-13
x.xx ±0.15	Check:	Daniel	2023-05-13



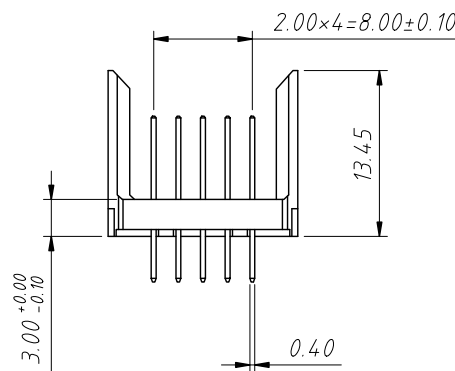
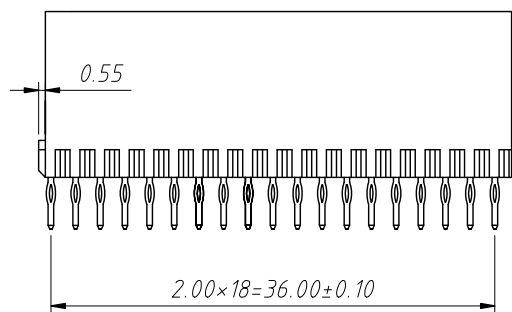
NingBo KLS ELECTRONIC CO.,LTD.

1 RoHS Compliance



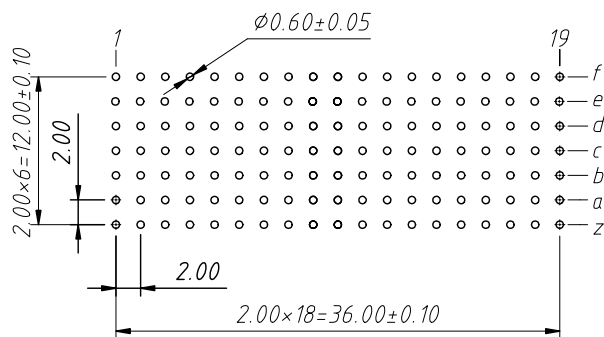
Material:
 Housing:PBT,Beige,UL 94V-0
 Contacts:Brass
 Gold Plated on Contact Area and 80u"Min
 Tin Plated on solder tail over Nickel 50u"Min

Electrical Characteristics:
 Current Rating:1 AMP.
 Dielectric Withstanding Voltage:
 AC 750V For 1 minute
 Insulator Resistance:10000MΩ min at DC 500V
 Contact Resistance:20mΩ max.at DC 100mA.
 Operating Temperature:-55°C ~ +125°C

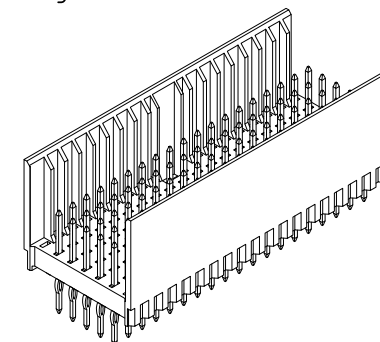
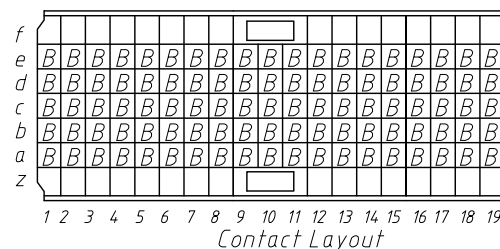


Order Information:
L-KLS1-HBC-ABM-095-1B-0-10

L: RoHS
 Housing D Type
 M=Male F=Female
 No. of 95 Pins
 Pin:Composite code
 Plating:10=Au 10u"



Recommended PCB Layout
 Tolerance:±0.05mm

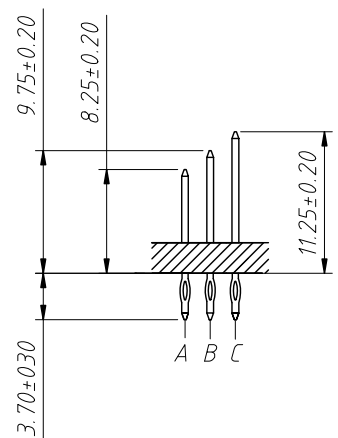
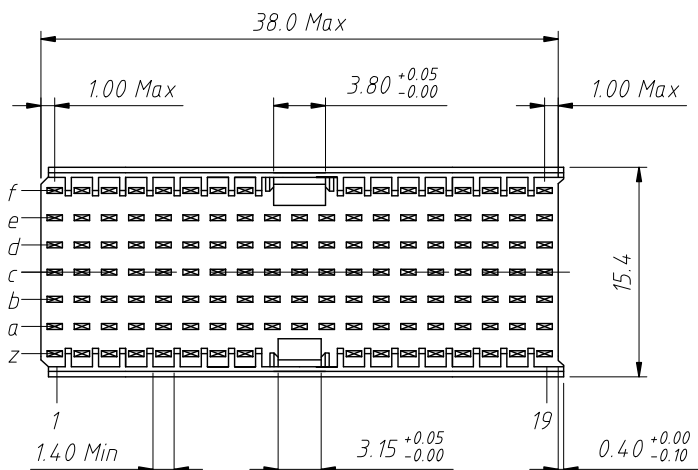


ANGLE TOLERANCE	PROJECTION	Description:	2mm Hard Metric Connector 95 Pos Press-Fit AB19 Male
±3°			
GENERAL TOLERANCE	UNITS	mm	KLS P/N:
x ±0.5	SHEET SIZE	A4	L-KLS1-HBC-ABM-095-1B-0-10
x.x ±0.25	Draw:	Daniel	2023-05-13
x.xx ±0.15	Check:	Daniel	2023-05-13



NingBo KLS ELECTRONIC CO.,L TD.

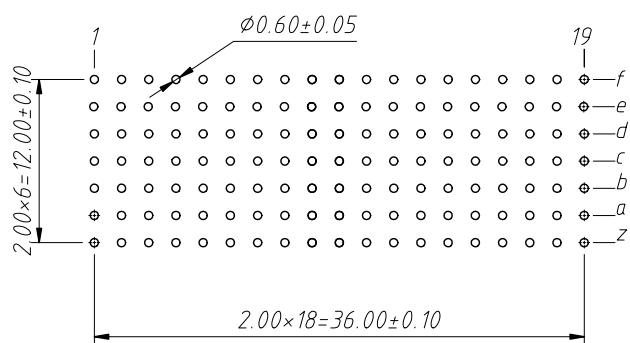
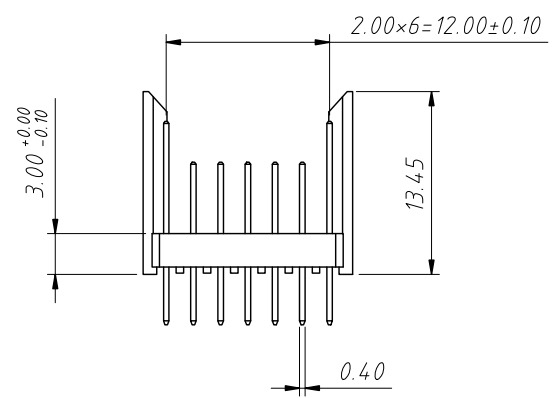
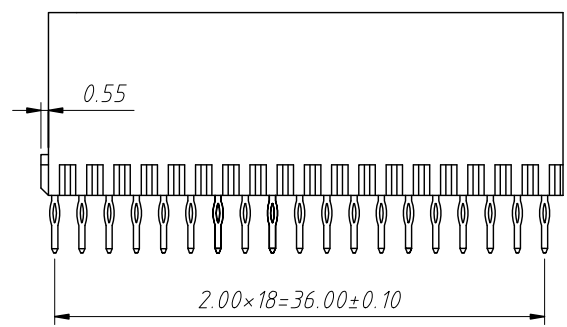
RoHS Compliance



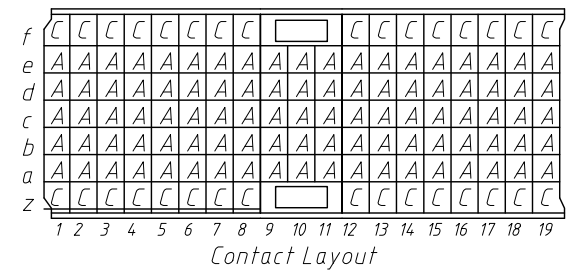
Material:
 Housing: Thermoplastic Polyester Glass Filled, UL 94 V-0
 Contacts: Copper Alloy

Electrical Characteristics:
 Current Rating: 1 AMP.
 Dielectric Withstanding Voltage:
 AC 750V For 1 minute
 Insulator Resistance: 10000MΩ min at DC 500V
 Contact Resistance: 20mΩ max. at DC 100mA.
 Operating Temperature: -55°C ~ +125°C

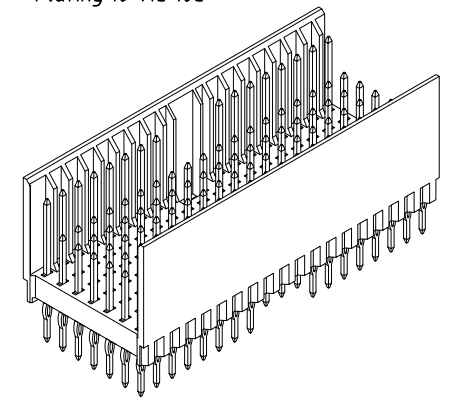
Order Information:
L-KLS1-HBC-ABM-127-A-1-10
 L: RoHS
 Housing D Type
 M=Male F=Female
 No. of 127 Pins
 Pin: Composite code
 Plating: 10=Au 10u"



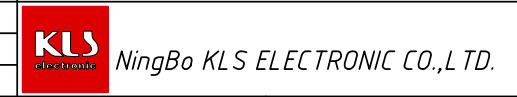
Recommended PCB Layout
 Tolerance: ±0.05mm



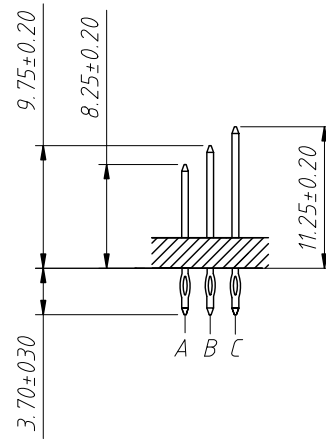
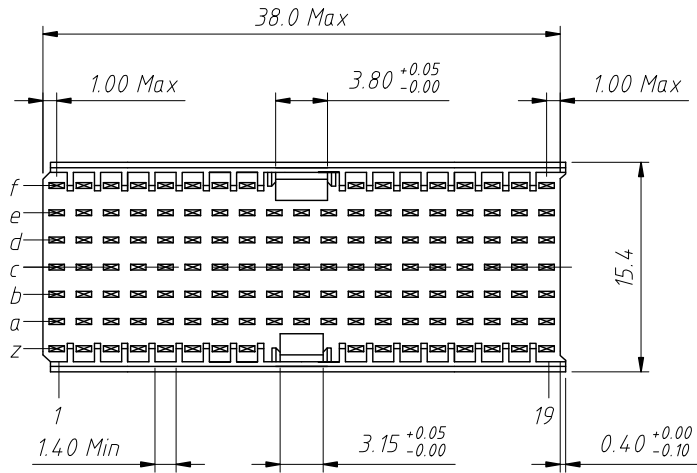
Contact Layout



ANGLE TOLERANCE		PROJECTION		Description:	
±3°				2mm Hard Metric Connector 127 Pos Press-Fit AB19 Male	
GENERAL TOLERANCE		UNITS	mm	KLS P/N:	L-KLS1-HBC-ABM-127-A-1-10
x	±0.5	SHEET SIZE	A4		
x.x	±0.25	Draw:	Daniel	2023-05-13	
x.xx	±0.15	Check:	Daniel	2023-05-13	



RoHS Compliance

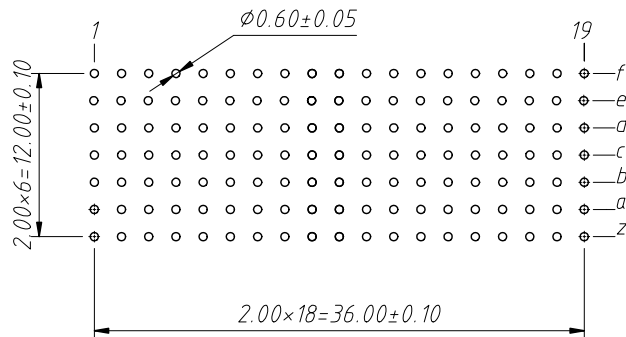
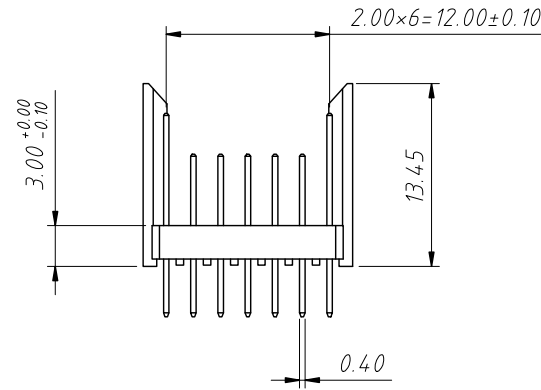
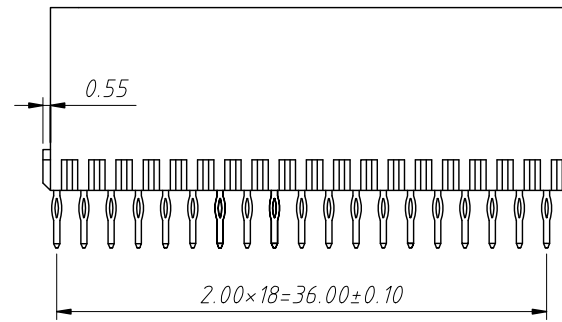
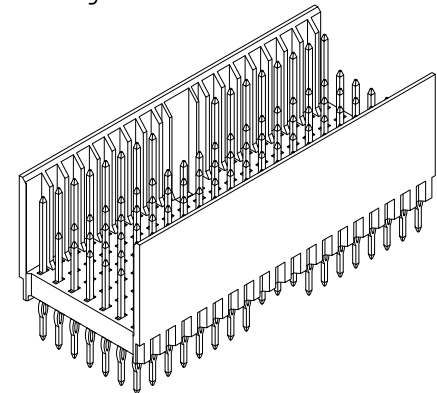
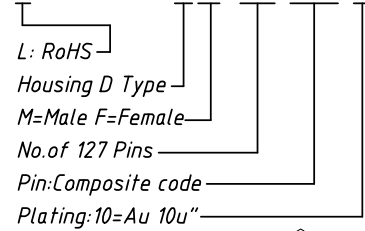


Material:
 Housing: Thermoplastic Polyester Glass Filled, UL 94 V-0
 Contacts: Copper Alloy

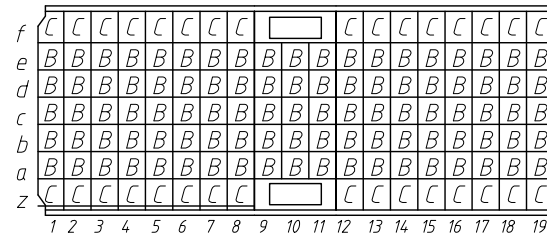
Electrical Characteristics:
 Current Rating: 1 AMP.
 Dielectric Withstanding Voltage:
 AC 750V For 1 minute
 Insulator Resistance: 10000MΩ min at DC 500V
 Contact Resistance: 20mΩ max. at DC 100mA.
 Operating Temperature: -55°C ~ +125°C

Order Information:

L-KLS1-HBC-ABM-127-B-1-10



Recommended PCB Layout
 Tolerance: ±0.05mm



Contact Layout

ANGLE TOLERANCE	PROJECTION	Description:	2mm Hard Metric Connector 127 Pos Press-Fit AB19 Male
±3°			
GENERAL TOLERANCE	UNITS	mm	KLS P/N:
x ±0.5	SHEET SIZE	A4	L-KLS1-HBC-ABM-127-B-1-10
x.x ±0.25	Draw:	Daniel	2023-05-13
x.xx ±0.15	Check:	Daniel	2023-05-13



NingBo KLS ELECTRONIC CO.,L.TD.