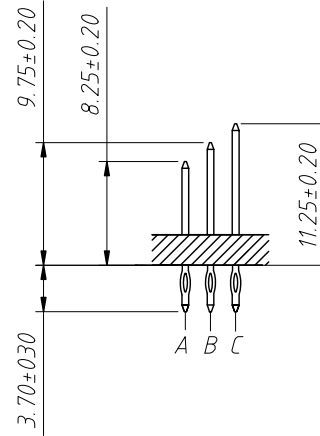
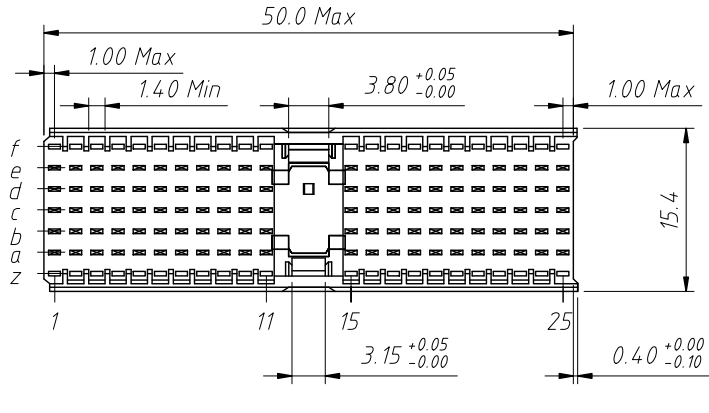


RoHS Compliance

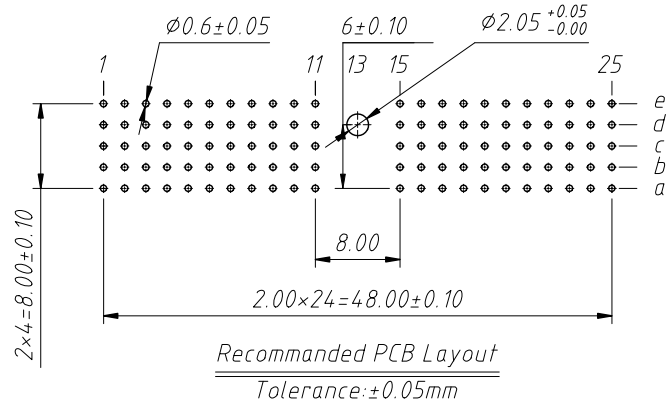
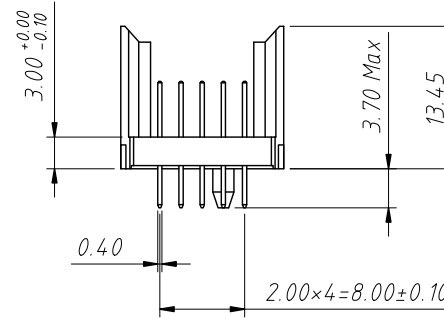
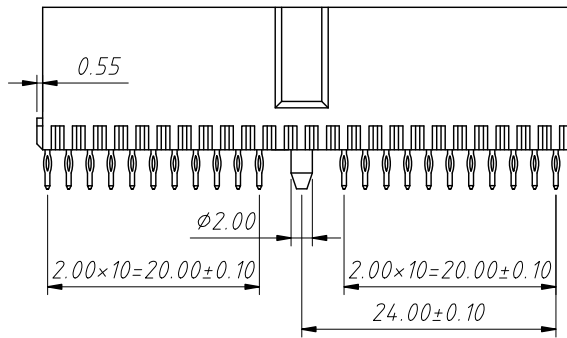


Material:
 Housing: Thermoplastic Polyester Glass
 Filled, UL 94V-0
 Contacts: Copper Alloy
 Plating: Surface Tin plated, Contact gold plating

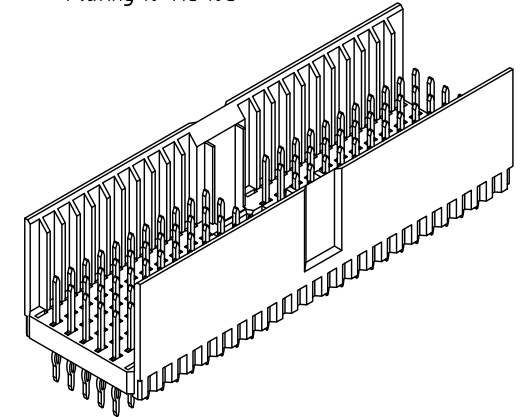
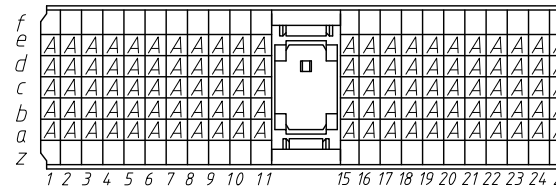
Electrical Characteristics:
 Current Rating: 1 AMP.
 Dielectric Withstanding Voltage:
 AC 750V For 1 minute
 Insulator Resistance: 10000MΩ min at DC 500V
 Contact Resistance: 20mΩ max. at DC 100mA.
 Operating Temperature: -55°C ~ +125°C

Order Information:
 L-KLS1-HBC-AM-110-1A-0-10

- L: RoHS
- Housing A Type
- M=Male F=Female
- No. of 110 pins
- Pin: Composite code
- Plating: 10=Au 10u"



Contact Layout

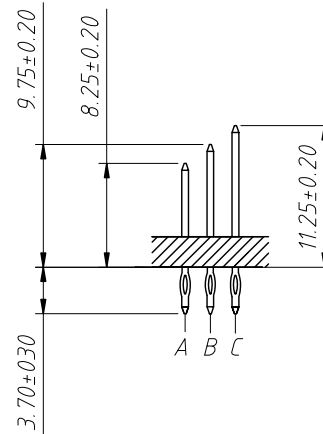
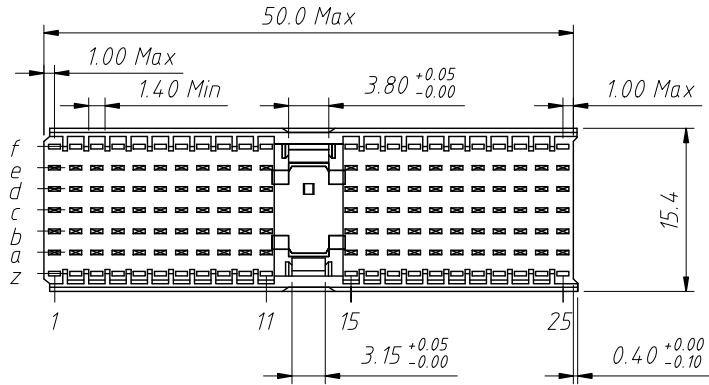


ANGLE TOLERANCE	PROJECTION	Description:	2mm Hard Metric Connector 110Pos Press-Fit A22 Male
±3°			
GENERAL TOLERANCE	UNITS	mm	KLS P/N: L-KLS1-HBC-AM-110-1A-0-10
x ±0.5	SHEET SIZE	A4	
x.x ±0.25	Draw:	Daniel	2023-05-10
x.xx ±0.15	Check:	Daniel	2023-05-10



NingBo KLS ELECTRONIC CO.,LTD.

RoHS Compliance

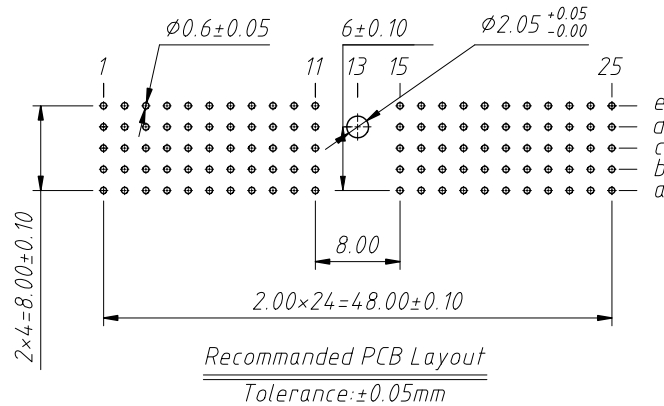
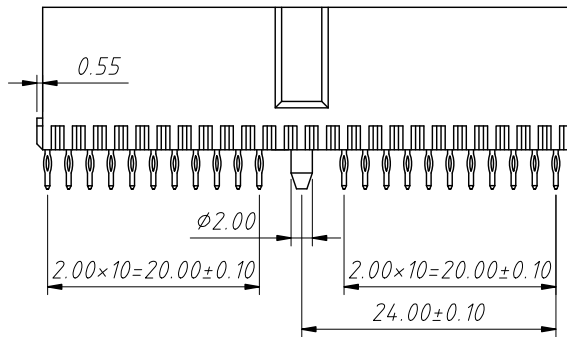
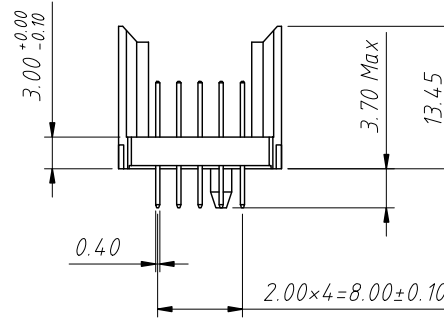


Material:
 Housing: Thermoplastic Polyester Glass
 Filled, UL 94 V-0
 Contacts: Copper Alloy
 Plating: Surface Tin plated, Contact gold plating

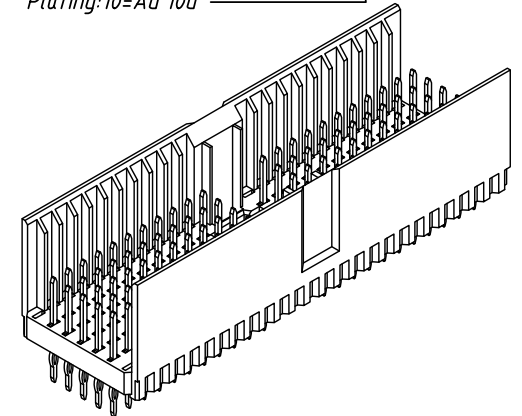
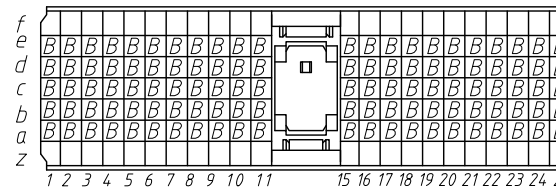
Electrical Characteristics:
 Current Rating: 1 AMP.
 Dielectric Withstanding Voltage:
 AC 750V For 1 minute
 Insulator Resistance: 10000M Ω min at DC 500V
 Contact Resistance: 20m Ω max. at DC 100mA.
 Operating Temperature: -55°C ~ +125°C

Order Information:
 L-KLS1-HBC-AM-110-1B-0-10

L: RoHS
 Housing A Type
 M=Male F=Female
 No. of 110 pins
 Pin: Composite code
 Plating: 10=Au 10u"



Contact Layout

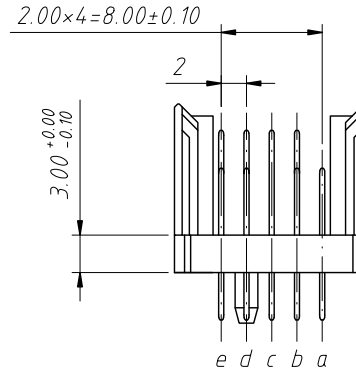
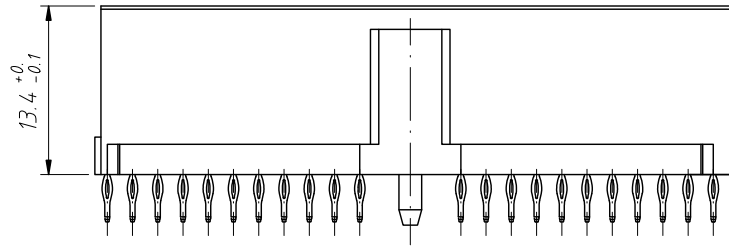


ANGLE TOLERANCE	PROJECTION	Description:	2mm Hard Metric Connector
±3°			110Pos Press-Fit A22 Male
GENERAL TOLERANCE	UNITS	mm	KLS P/N:
x ±0.5	SHEET SIZE	A4	L-KLS1-HBC-AM-110-1B-0-10
x.x ±0.25	Draw:	Daniel	2023-05-12
x.xx ±0.15	Check:	Daniel	2023-05-12



NingBo KLS ELECTRONIC CO.,LTD.

1 RoHS Compliance

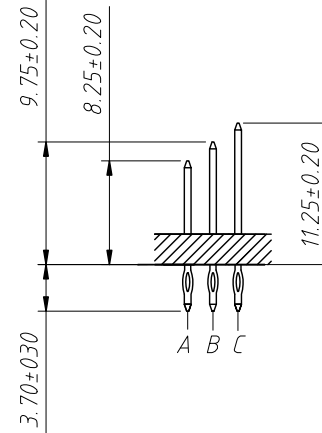
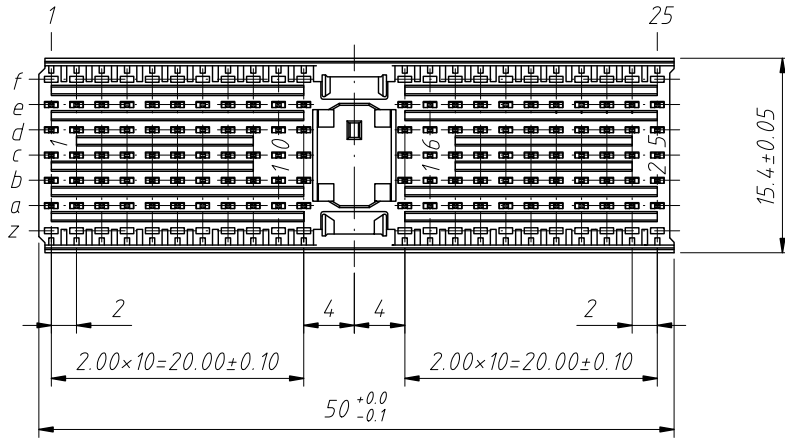


Material:
 Housing: Thermoplastic Polyester Glass Filled, UL 94 V-0
 Contacts: Copper Alloy
 Plating: Surface Tin plated, Contact gold plating

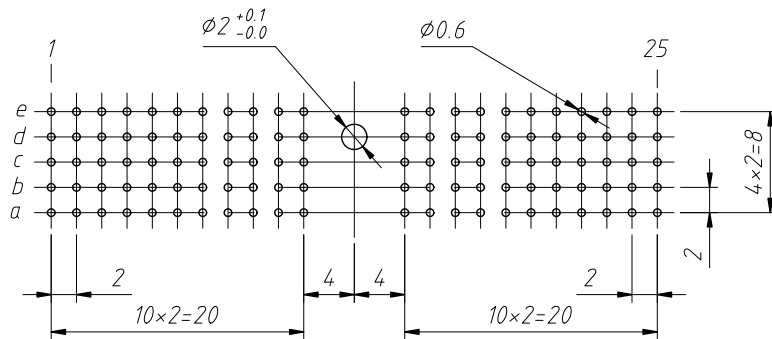
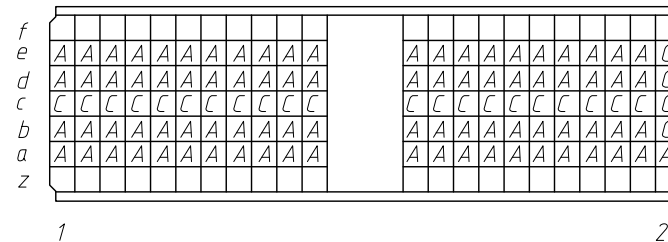
Electrical Characteristics:
 Current Rating: 1 AMP.
 Dielectric Withstanding Voltage:
 AC 750V For 1 minute
 Insulator Resistance: 10000MΩ min at DC 500V
 Contact Resistance: 20mΩ max. at DC 100mA.
 Operating Temperature: -55°C ~ +125°C

Order Information:
 L-KLS1-HBC-AM-110-1239-10

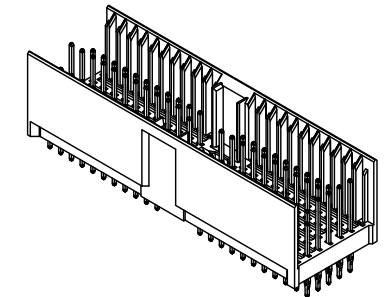
L: RoHS
 Housing A Type
 M=Male F=Female
 No. of 110 pins
 Pin: Composite code
 Plating: 10=Au 10u"



Contact Layout



Recommended PCB Layout
 Tolerance: ±0.05mm

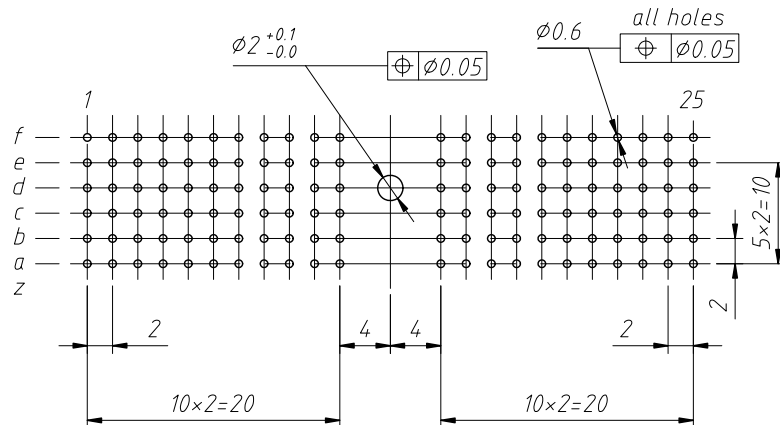
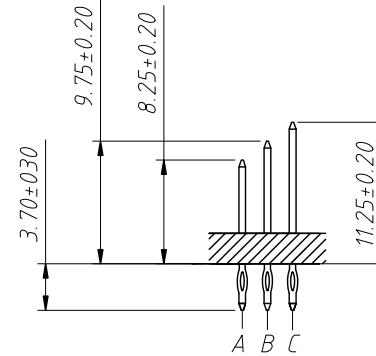
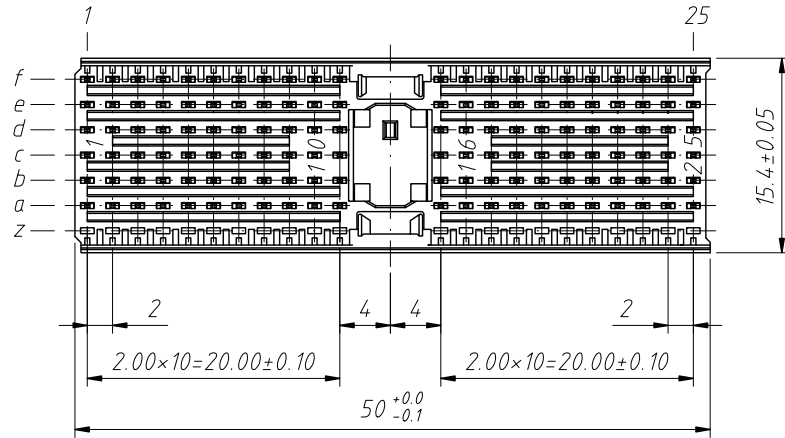
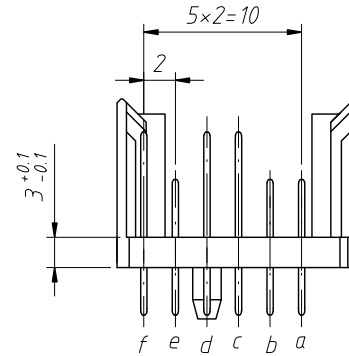
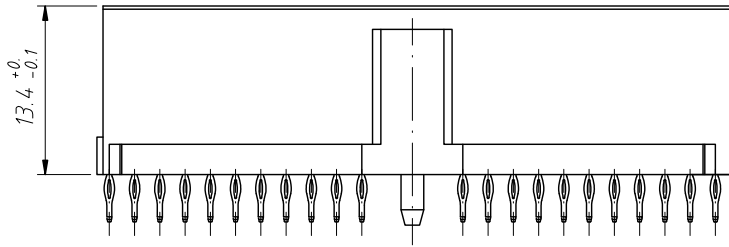


ANGLE TOLERANCE	PROJECTION	Description:	2mm Hard Metric Connector 110Pos Press-Fit A22 Male
±3°			
GENERAL TOLERANCE	UNITS	mm	KLS P/N: L-KLS1-HBC-AM-110-1239-10
x ±0.5	SHEET SIZE	A4	
x.x ±0.25	Draw:	Daniel	2023-05-10
x.xx ±0.15	Check:	Daniel	2023-05-10



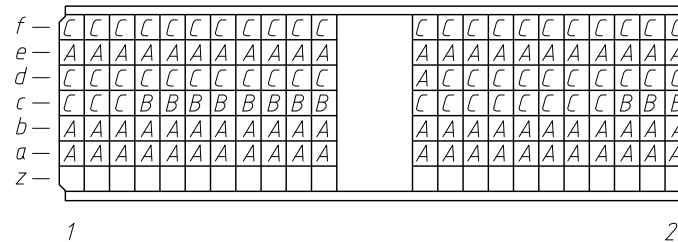
NingBo KLS ELECTRONIC CO.,LTD.

1 RoHS Compliance



Recommended PCB Layout
Tolerance: ±0.05mm

Contact Layout

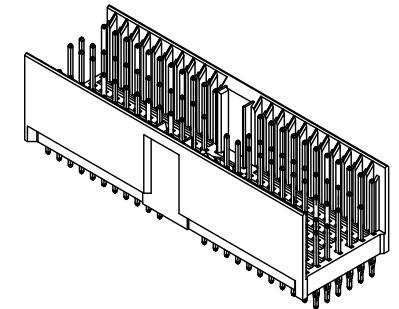
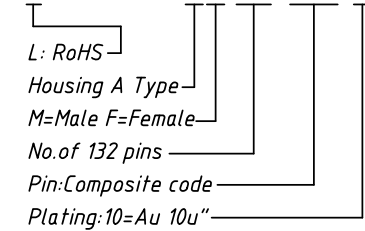


Material:
Housing: Thermoplastic Polyester Glass Filled, UL 94 V-0
Contacts: Copper Alloy
Plating: Surface Tin plated, Contact gold plating

Electrical Characteristics:
Current Rating: 1 AMP.
Dielectric Withstanding Voltage:
AC 750V For 1 minute
Insulator Resistance: 10000MΩ min at DC 500V
Contact Resistance: 20mΩ max. at DC 100mA.
Operating Temperature: -55°C ~ +125°C

Order Information:

L-KLS1-HBC-AM-132-1201-10

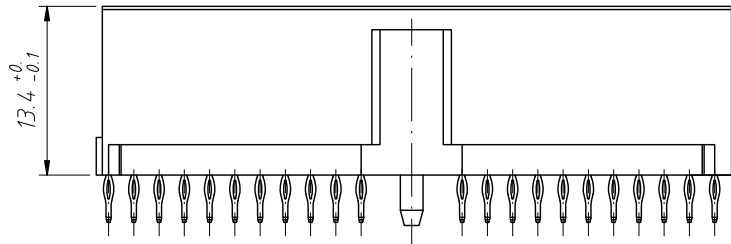


ANGLE TOLERANCE	PROJECTION	Description:	2mm Hard Metric Connector 132Pos Press-Fit A22 Male
±3°			
GENERAL TOLERANCE	UNITS	mm	KLS P/N:
x ±0.5	SHEET SIZE	A4	L-KLS1-HBC-AM-132-1201-10
x.x ±0.25	Draw:	Daniel	2023-05-10
x.xx ±0.15	Check:	Daniel	2023-05-10

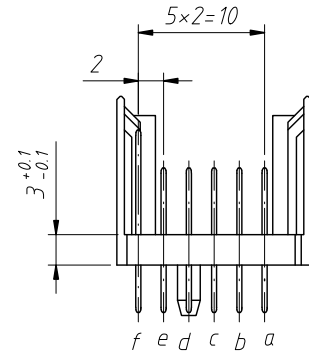


NingBo KLS ELECTRONIC CO.,L.TD.

RoHS Compliance



13.4^{+0.0}_{-0.1}



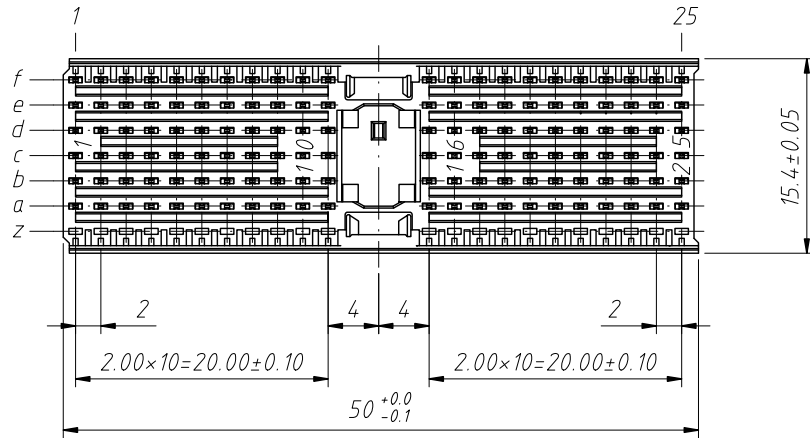
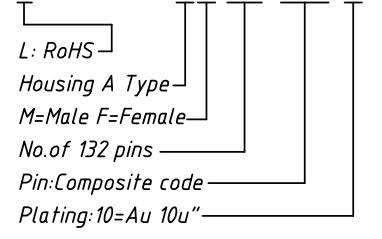
3^{+0.1}_{-0.1}

f e d c b a

Material:
 Housing: Thermoplastic Polyester Glass Filled, UL 94 V-0
 Contacts: Copper Alloy
 Plating: Surface Tin plated, Contact gold plating

Electrical Characteristics:
 Current Rating: 1 AMP.
 Dielectric Withstanding Voltage:
 AC 750V For 1 minute
 Insulator Resistance: 10000M Ω min at DC 500V
 Contact Resistance: 20m Ω max. at DC 100mA.
 Operating Temperature: -55°C ~ +125°C

Order Information:
 L-KLS1-HBC-AM-132-1203-10

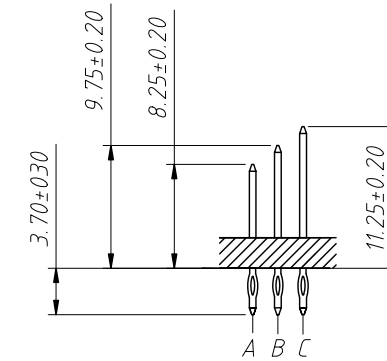


15.4±0.05

2.00×10=20.00±0.10

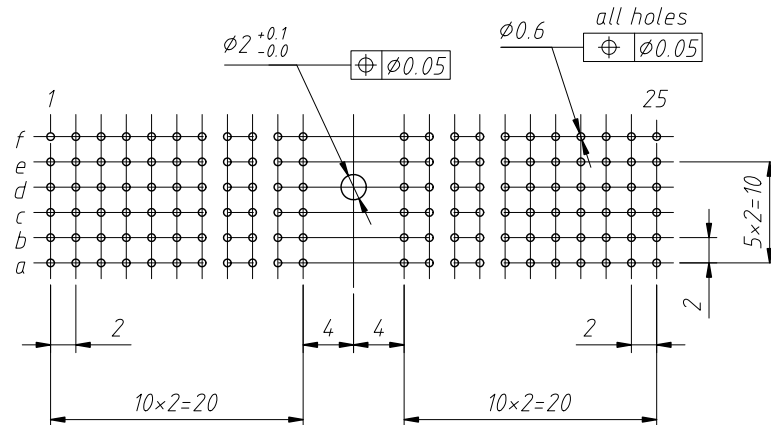
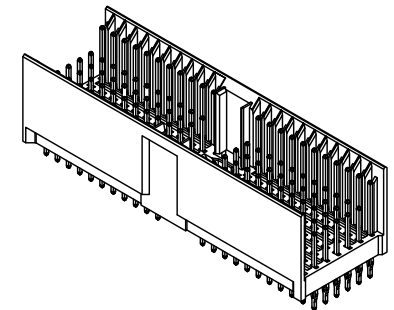
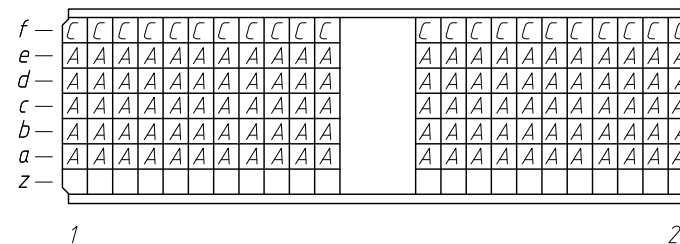
50^{+0.0}_{-0.1}

2.00×10=20.00±0.10



A B C

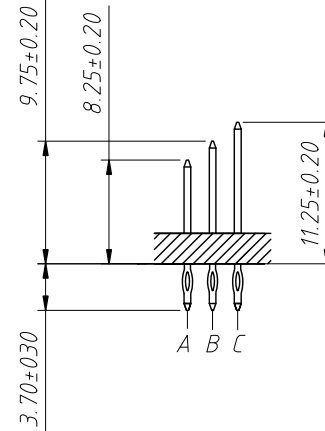
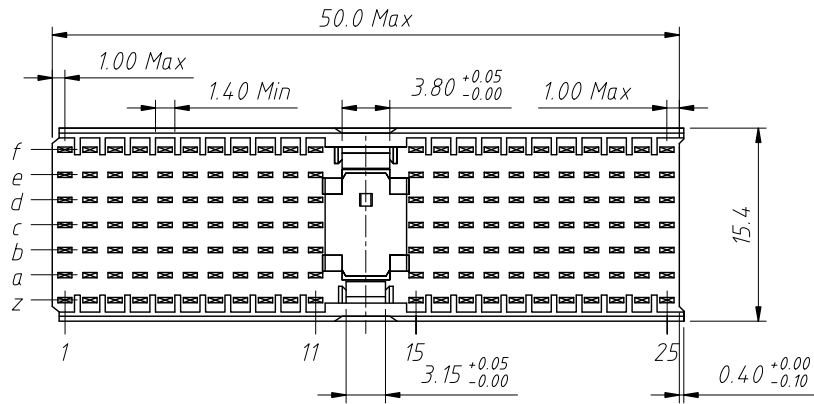
Contact Layout



Recommended PCB Layout
 Tolerance: ±0.05mm

ANGLE TOLERANCE	PROJECTION	Description:	2mm Hard Metric Connector	
±3°			132 Pos Press-Fit A22 Male	
GENERAL TOLERANCE	UNITS	mm	L-KLS1-HBC-AM-132-1203-10	
x ±0.5	SHEET SIZE	A4	NingBo KLS ELECTRONIC CO.,L TD.	
x.x ±0.25	Draw:	Daniel		2023-05-17
x.xx ±0.15	Check:	Daniel		2023-05-17

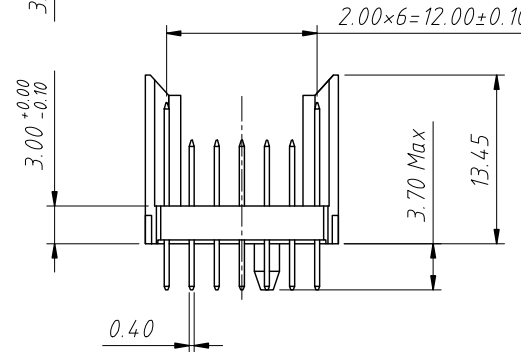
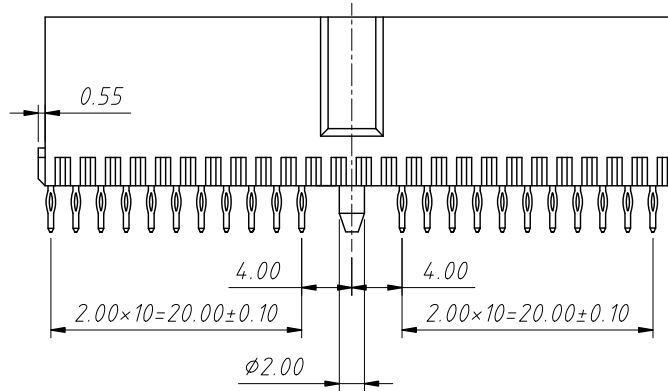
RoHS Compliance



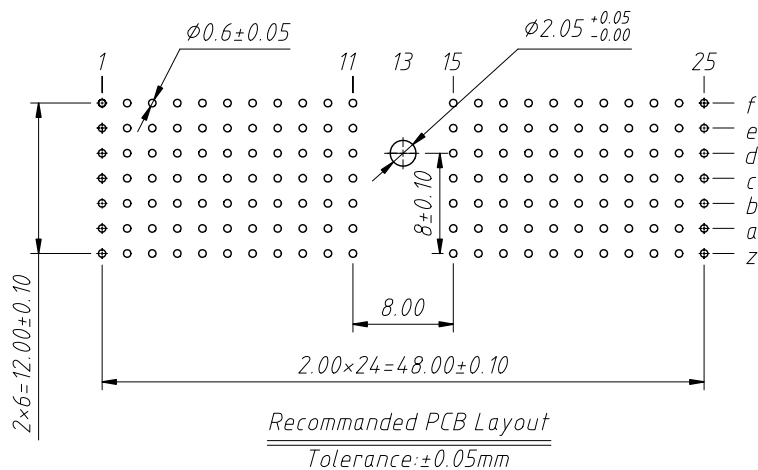
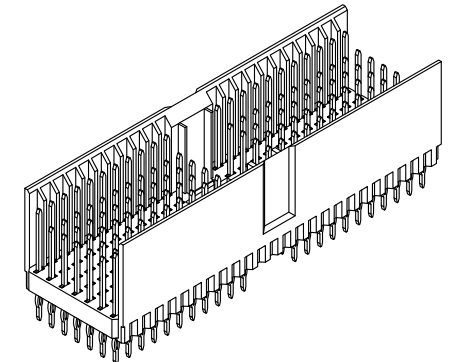
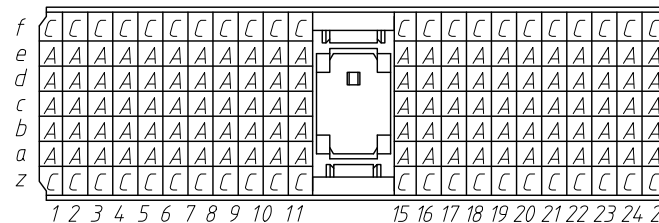
Material:
Housing: Thermoplastic Polyester Glass Filled, UL 94V-0
Contacts: Copper Alloy
Plating: Surface Tin plated, Contact gold plating

Electrical Characteristics:
Current Rating: 1 AMP.
Dielectric Withstanding Voltage:
 AC 750V For 1 minute
Insulator Resistance: 10000M Ω min at DC 500V
Contact Resistance: 20m Ω max. at DC 100mA.
Operating Temperature: -55°C ~ +125°C

Order Information:
 L-KLS1-HBC-AM-154-1A-1-10
 L: RoHS
 Housing A Type
 M=Male F=Female
 No. of 154 pins
 Pin: Composite code
 Plating: 10=Au 10u"



Contact Layout

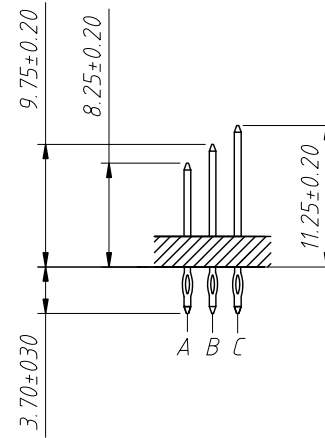
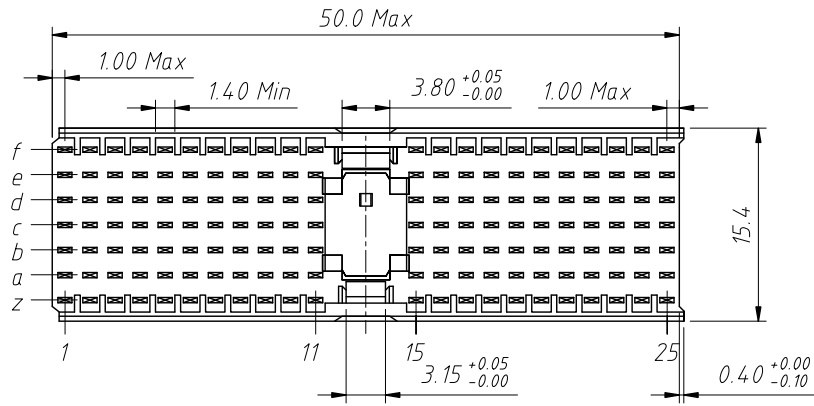


ANGLE TOLERANCE	PROJECTION	Description:	
±3°			
GENERAL TOLERANCE	UNITS	mm	KLS P/N:
x ±0.5	SHEET SIZE	A4	
x.x ±0.25	Draw:	Daniel	2023-05-10
x.xx ±0.15	Check:	Daniel	2023-05-10

2mm Hard Metric Connector
 154Pos Press-Fit A22 Male
 L-KLS1-HBC-AM-154-1A-1-10



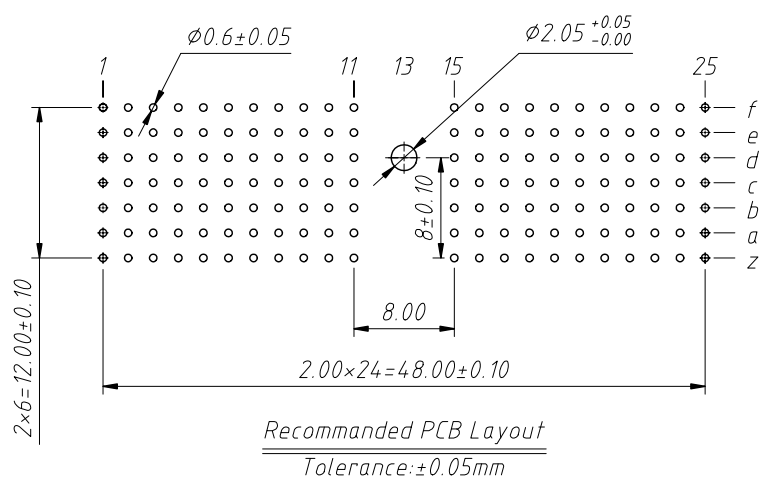
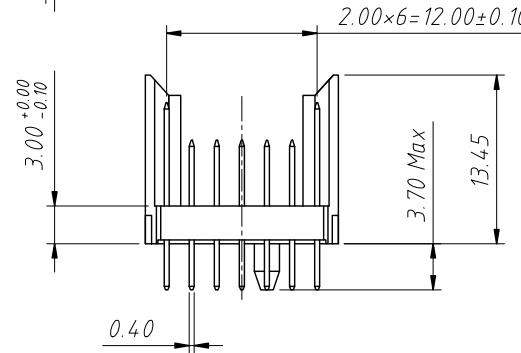
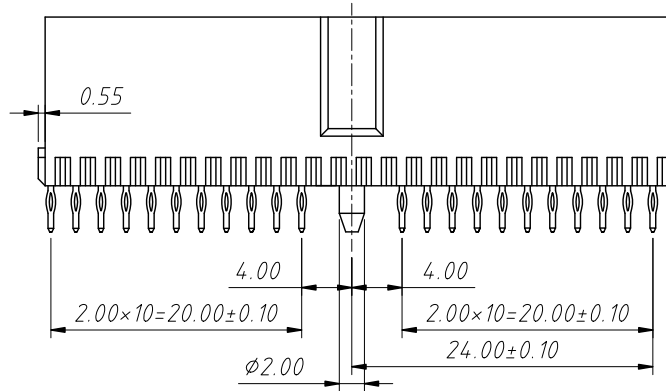
RoHS Compliance



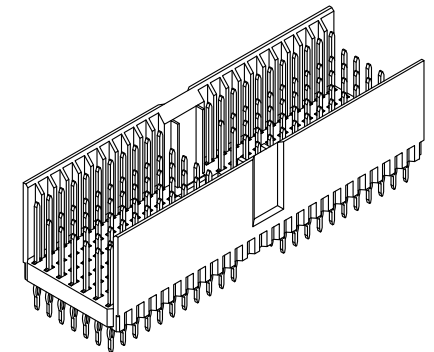
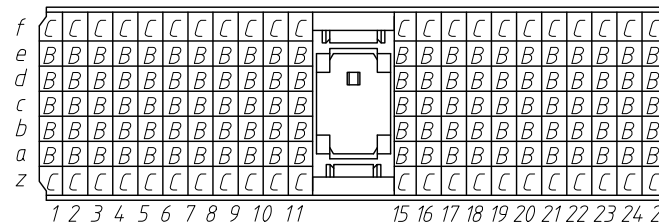
Material:
Housing: Thermoplastic Polyester Glass
Filled, UL 94 V-0
Contacts: Copper Alloy
Plating: Surface Tin plated, Contact gold plating

Electrical Characteristics:
Current Rating: 1 AMP.
Dielectric Withstanding Voltage:
AC 750V For 1 minute
Insulator Resistance: 10000M Ω min at DC 500V
Contact Resistance: 20m Ω max. at DC 100mA.
Operating Temperature: -55°C ~ +125°C

Order Information:
L-KLS1-HBC-AM-154-1B-1-10
L: RoHS
Housing A Type
M=Male F=Female
No. of 154 pins
Pin: Composite code
Plating: 10=Au 10u"



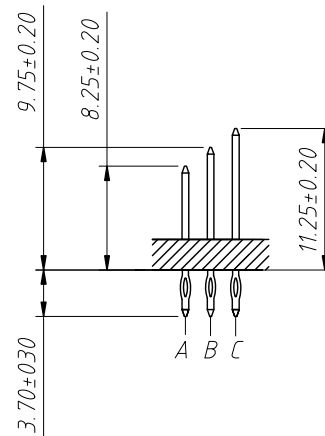
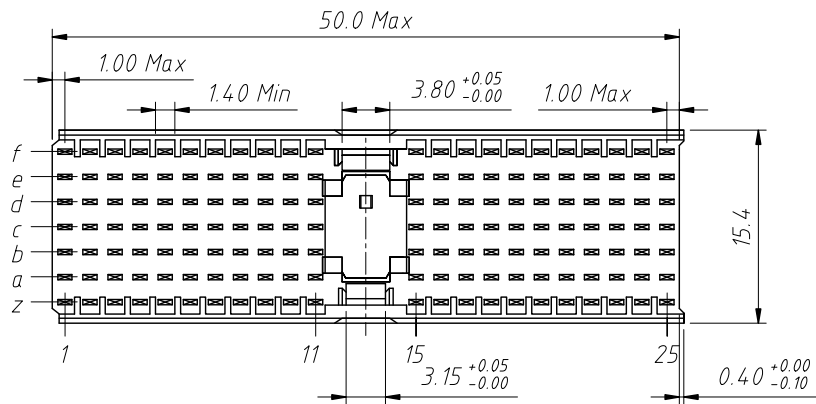
Contact Layout



ANGLE TOLERANCE	PROJECTION	Description:	
±3°			
GENERAL TOLERANCE	UNITS	mm	KLS P/N:
x ±0.50	SHEET SIZE	A4	
x.x ±0.25	Draw:	Daniel	2023-05-10
x.xx ±0.15	Check:	Daniel	2023-05-10

2mm Hard Metric Connector
154Pos Press-Fit A22 Male
L-KLS1-HBC-AM-154-1B-1-10
 NingBo KLS ELECTRONIC CO.,LTD.

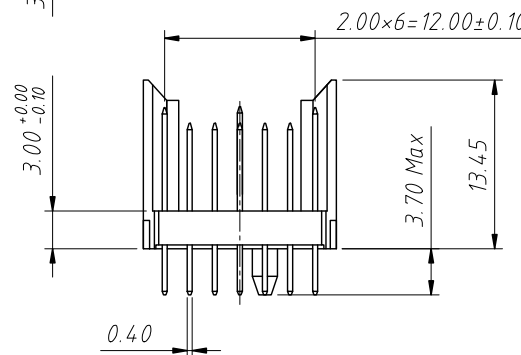
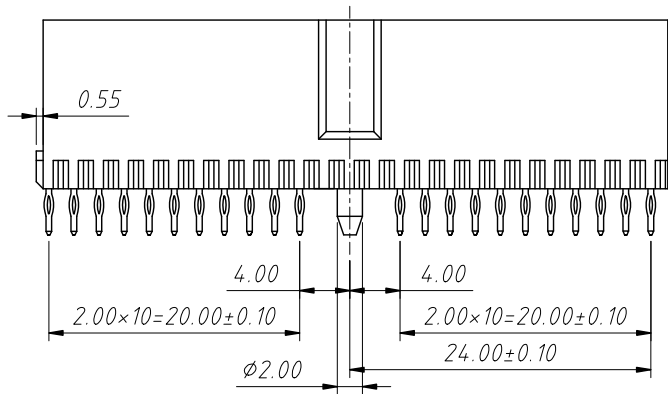
RoHS Compliance



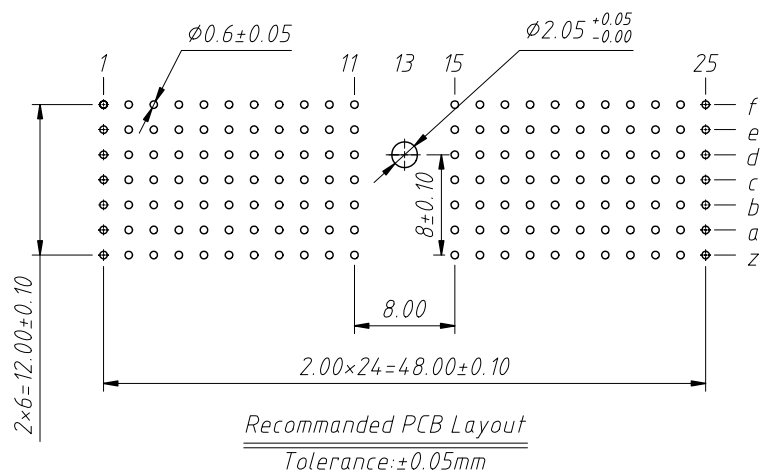
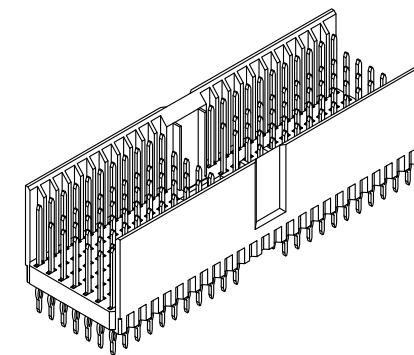
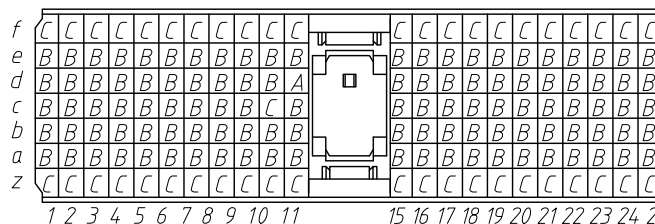
Material:
 Housing: Thermoplastic Polyester Glass
 Filled, UL 94 V-0
 Contacts: Copper Alloy
 Plating: Surface Tin plated, Contact gold plating

Electrical Characteristics:
 Current Rating: 1 AMP.
 Dielectric Withstanding Voltage:
 AC 750V For 1 minute
 Insulator Resistance: 10000M Ω min at DC 500V
 Contact Resistance: 20m Ω max. at DC 100mA.
 Operating Temperature: -55°C ~ +125°C

Order Information:
 L-KLS1-HBC-AM-154-12-1-10
 L: RoHS
 Housing A Type
 M=Male F=Female
 No. of 154 pins
 Pin: Composite code
 Plating: 10=Au 10u"



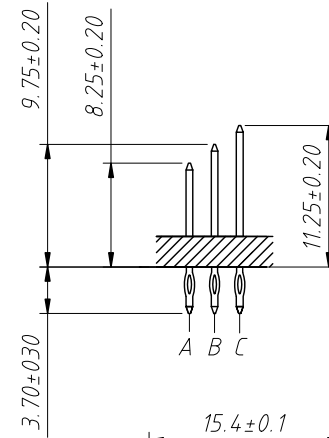
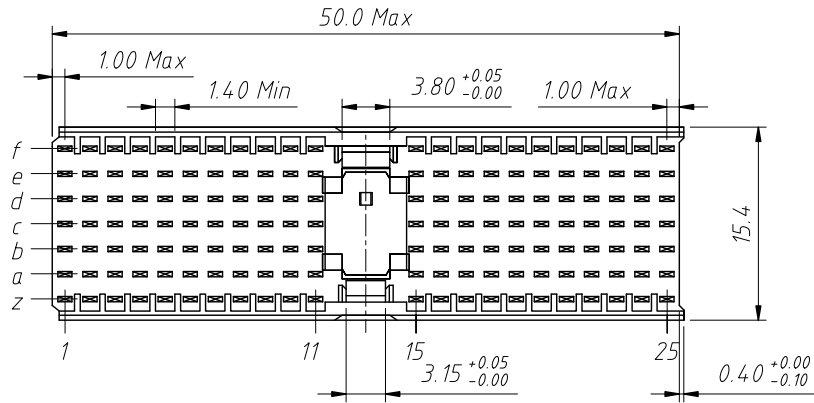
Contact Layout



ANGLE TOLERANCE	PROJECTION	Description:	
±3°			
GENERAL TOLERANCE	UNITS	mm	KLS P/N:
x ±0.50	SHEET SIZE	A4	
x.x ±0.25	Draw:	Daniel	2023-05-10
x.xx ±0.15	Check:	Daniel	2023-05-10

2mm Hard Metric Connector
 154Pos Press-Fit A22 Male
 L-KLS1-HBC-AM-154-12-1-10
 NingBo KLS ELECTRONIC CO.,LTD.

1 RoHS Compliance



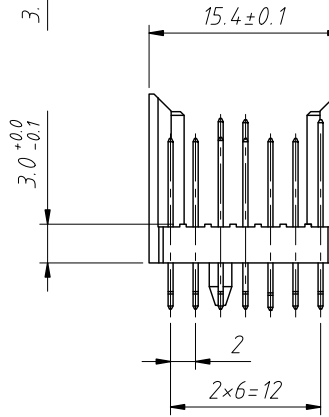
Material:
 Housing: Thermoplastic Polyester Glass Filled, UL 94 V-0
 Contacts: Copper Alloy
 Plating: Surface Tin plated, Contact gold plating

Electrical Characteristics:
 Current Rating: 1.0 AMP.
 Voltage rating: 500V AC
 Dielectric Withstanding Voltage:
 AC 750V For 1 minute
 Insulator Resistance: 10000M Ω min at DC 500V
 Contact Resistance: 20m Ω max. at DC 100mA.
 Working temperature/humidity: -55°C ~ +125°C
 5% ~ 85% R.H.
 Storage temperature/humidity: -40°C ~ +70°C
 5% ~ 85% R.H.

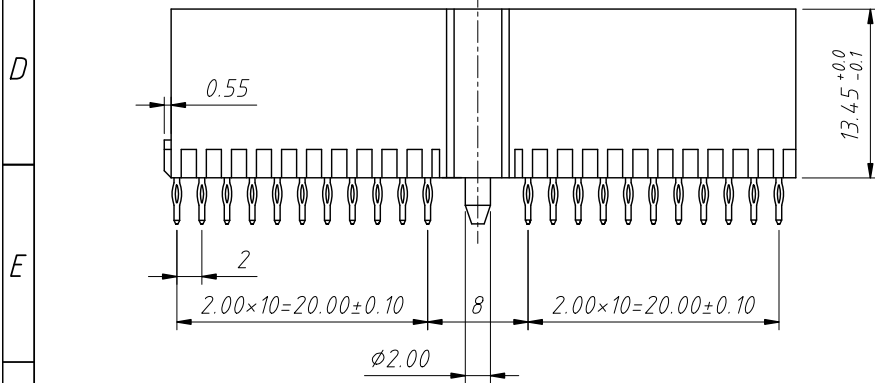
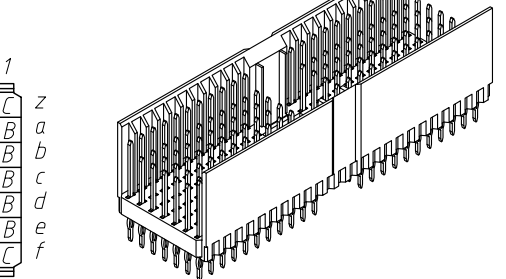
Order Information:

L-KLS1-HBC-AM-154-13-1-10

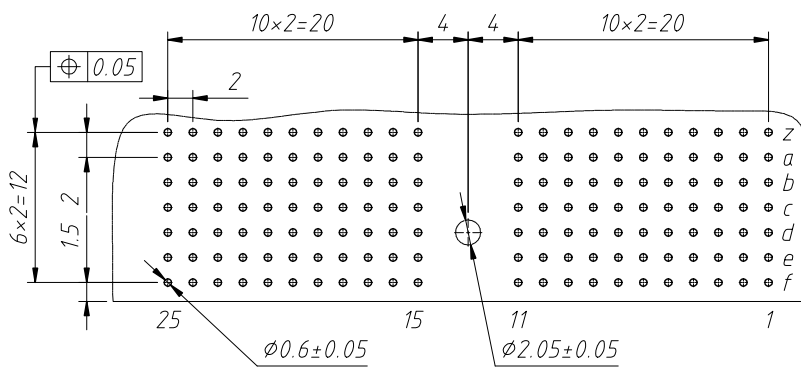
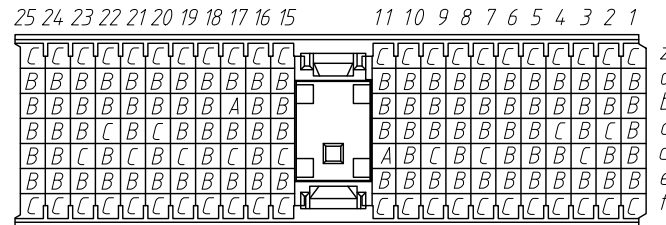
L: RoHS
 Housing A Type
 M=Male F=Female
 No. of 154 pins
 Pin: Composite code
 Plating: 10=Au 10u"



Order Information:



Contact Layout



Recommended PCB Layout
 Tolerance: ±0.05mm

ANGLE TOLERANCE	PROJECTION	Description:
±3°		
GENERAL TOLERANCE	UNITS	mm
x ±0.5	SHEET SIZE	A4
x.x ±0.25	Draw:	Daniel 2023-05-10
x.xx ±0.15	Check:	Daniel 2023-05-10

2mm Hard Metric Connector
 154Pos Press-Fit A22 Male



NingBo KLS ELECTRONIC CO.,L.TD.