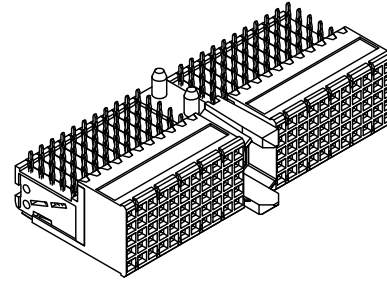
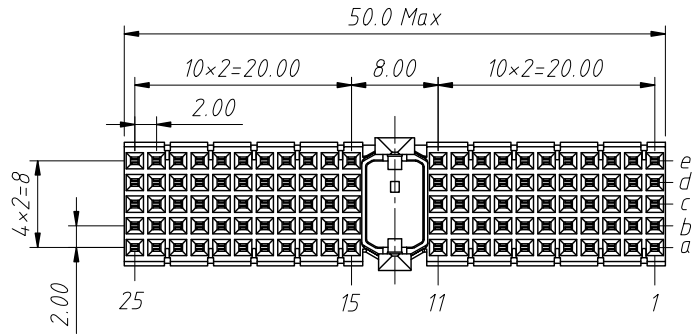
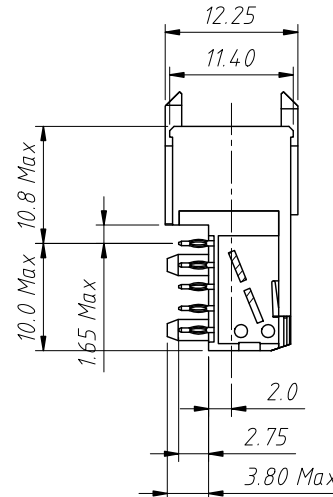
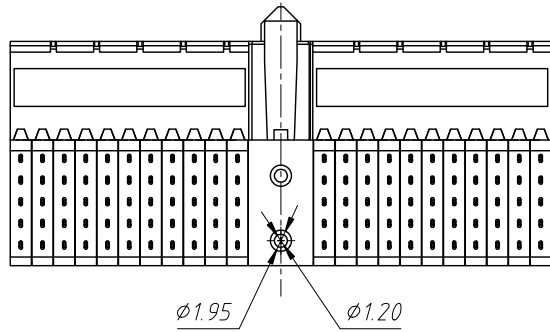


RoHS Compliance

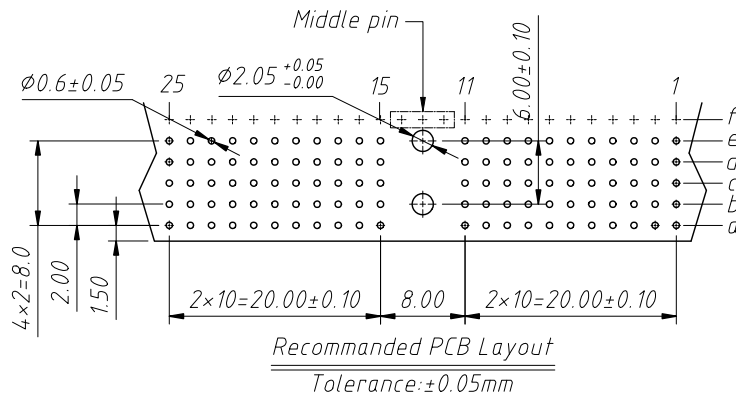


Material:  
 Housing: Thermoplastic Polyester Glass Filled, UL 94 V-0  
 Contacts: Copper Alloy  
 Plating: Surface Tin plated, Contact gold plating  
 Electrical Characteristics:  
 Current Rating: 1 AMP.  
 Dielectric Withstanding Voltage:  
 AC 750V For 1 minute  
 Insulator Resistance: 10000MΩ min at DC 500V  
 Contact Resistance: 20mΩ max. at DC 100mA.  
 Operating Temperature: -55°C ~ +125°C



Order Information:  
 L-KLS1-HBC-AF-110-0-10  
 L: RoHS  
 Housing A Type  
 M=Male F=Female  
 No. of 110 pins  
 Shielded: 0-None Shielded  
 1-Top Body Shielded  
 Plating: 10=Au 10u"

None Shielded

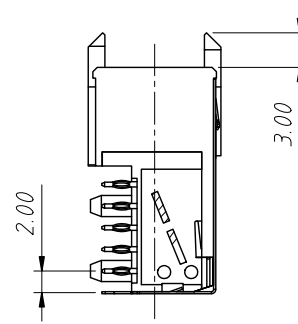
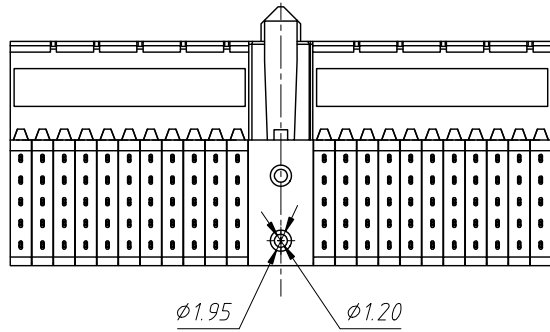
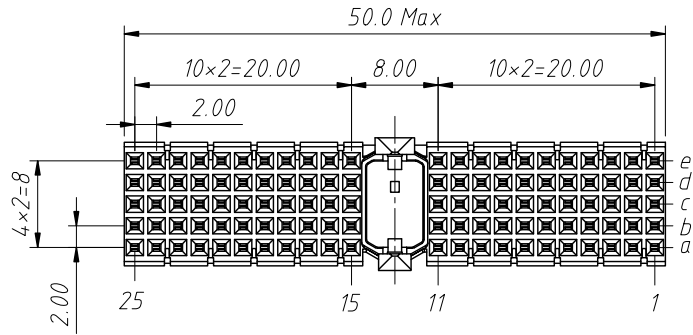


ANGLE TOLERANCE	PROJECTION	Description:	2mm Hard Metric Connector 110Pos Press-Fit A22 Female
±3°			
GENERAL TOLERANCE	UNITS	mm	KLS P/N: L-KLS1-HBC-AF-110-0-10
x ±0.5	SHEET SIZE	A4	
x.x ±0.25	Draw:	Daniel	2023-05-10
x.xx ±0.15	Check:	Daniel	2023-05-10

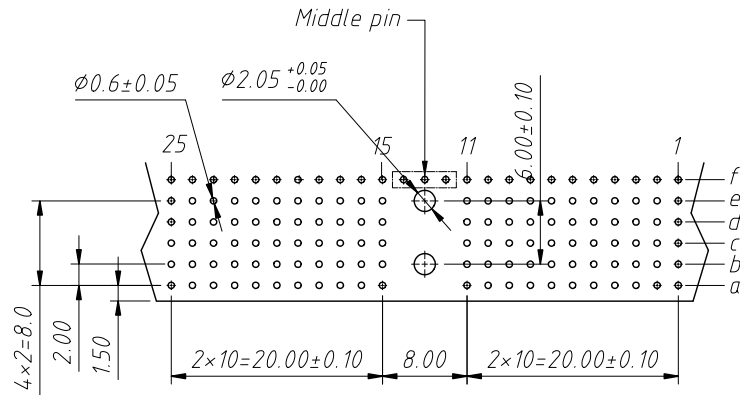


NingBo KLS ELECTRONIC CO.,LTD.

RoHS Compliance



Top Body Shielded



Recommended PCB Layout  
Tolerance:  $\pm 0.05\text{mm}$

**Material:**

Housing: Thermoplastic Polyester Glass

Filled, UL 94V-0

Contacts: Copper Alloy

Plating: Surface Tin plated, Contact gold plating

**Electrical Characteristics:**

Current Rating: 1 AMP.

Dielectric Withstanding Voltage:

AC 750V For 1 minute

Insulator Resistance: 10000M $\Omega$  min at DC 500V

Contact Resistance: 20m $\Omega$  max. at DC 100mA.

Operating Temperature: -55°C ~ +125°C

**Order Information:**

L-KLS1-HBC-A F-110-1-10

L: RoHS

Housing A Type

M=Male F=Female

No. of 110 pins

Shielded: 0=None Shielded

1-Top Body Shielded

Plating: 10=Au 10u"

ANGLE TOLERANCE	PROJECTION	Description:	2mm Hard Metric Connector	
$\pm 3^\circ$			110Pos Press-Fit A22 Female	
GENERAL TOLERANCE	UNITS	mm	KLS P/N: L-KLS1-HBC-AF-110-1-10	
x $\pm 0.5$	SHEET SIZE	A4	NingBo KLS ELECTRONIC CO.,L.TD.	
x.x $\pm 0.25$	Draw:	Daniel		2023-05-10
x.xx $\pm 0.15$	Check:	Daniel		2023-05-10