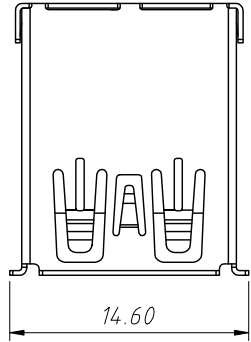
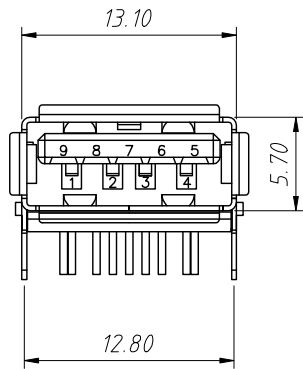


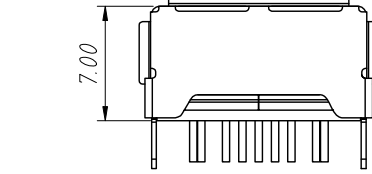
1 RoHS Compliance



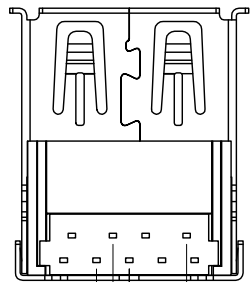
14.60



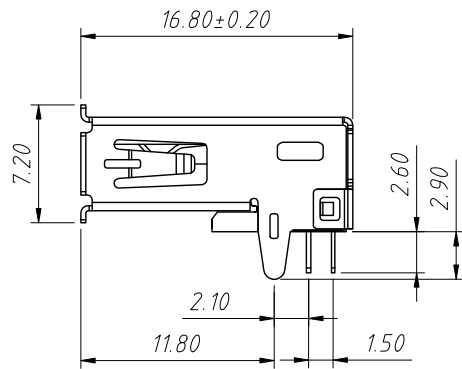
13.10



7.00



2-1.00
4-2.00
2-3.50



16.80±0.20

7.20

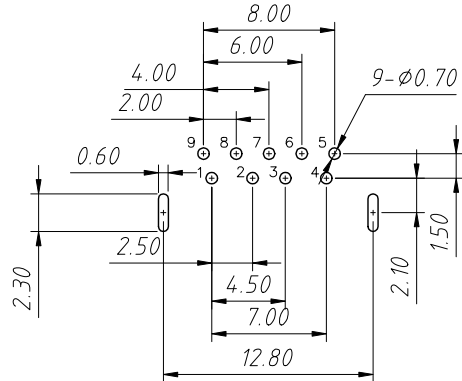
2.10

11.80

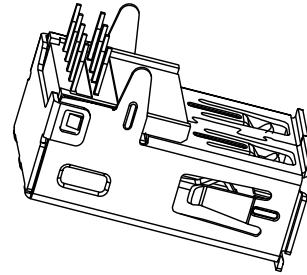
1.50

2.60

2.90



Recommended PCB Layout
Tolerance: ±0.05mm



Notes:

1.Material:
Housing:PBT,Blue
Contact:Brass(H65 T=0.20&0.25mm)
Shell:Cold Rolled Iron(SPCC T=0.30mm)

2.Plating:
Terminal:Ni Plating Over All,
Tin Plating On Solder Area
Au G/Fu"On Contact Area
Shell: Ni Plating Over All

3.Electrical:
Voltage Rating:30V DC
Current Rating:1.5A
Contact Resistance:30mΩ Max
Withstand Voltage:
100V AC Rms 50(60)Hz1min
Insulation Resistance:
100MΩ Min @500V DC

4.Mechanical:
Mating Force:35N Max
Unmating Force:5~35N
Operating Life:1500 Cycles Min

5.Environmental:
Storage Temperature Range:-40°C+85°C
Operation Temperature Range:-25°C+70°C

PIN Number	Signal Name
PIN 1	Vbus
PIN 2	D-
PIN 3	D+
PIN 4	GND
PIN 5	StdA-SSRX-
PIN 6	StdA-SSRX+
PIN 7	GND-DRAIN
PIN 8	StdA-SSTX-
PIN 9	StdA-SSTX+
SHELL	GND

ANGLE TOLERANCE	PROJECTION	Description:
±3°		USB 3.0 Connectors DIP 90 A Female 9P
GENERAL TOLERANCE	UNITS	mm
x.x ±0.30	SHEET SIZE	A4
x.xx ±0.20	Draw:	Daniel 2023-05-12
x.xxx ±0.10	Check:	Daniel 2023-05-12



NingBo KLS ELECTRONIC CO.,L TD.