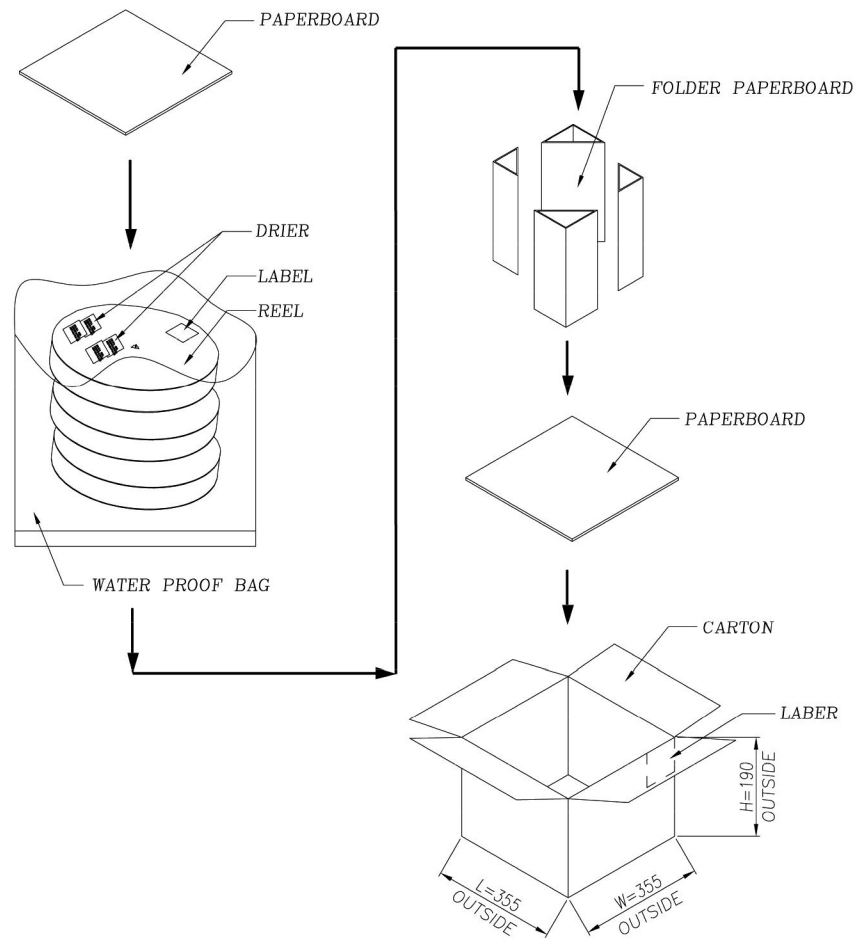
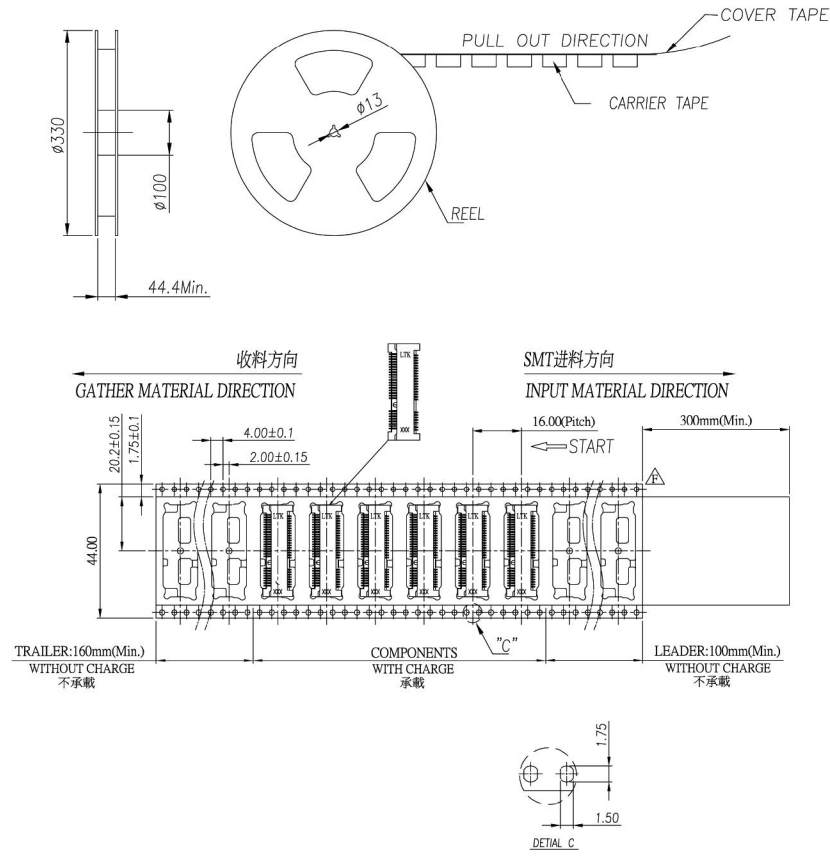




REV	DESCRIPTION	DATE	ECN NO.	CHANGER
A	INITIAL RELESAE	11/03.21		YM

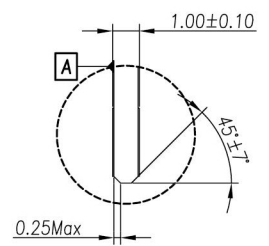
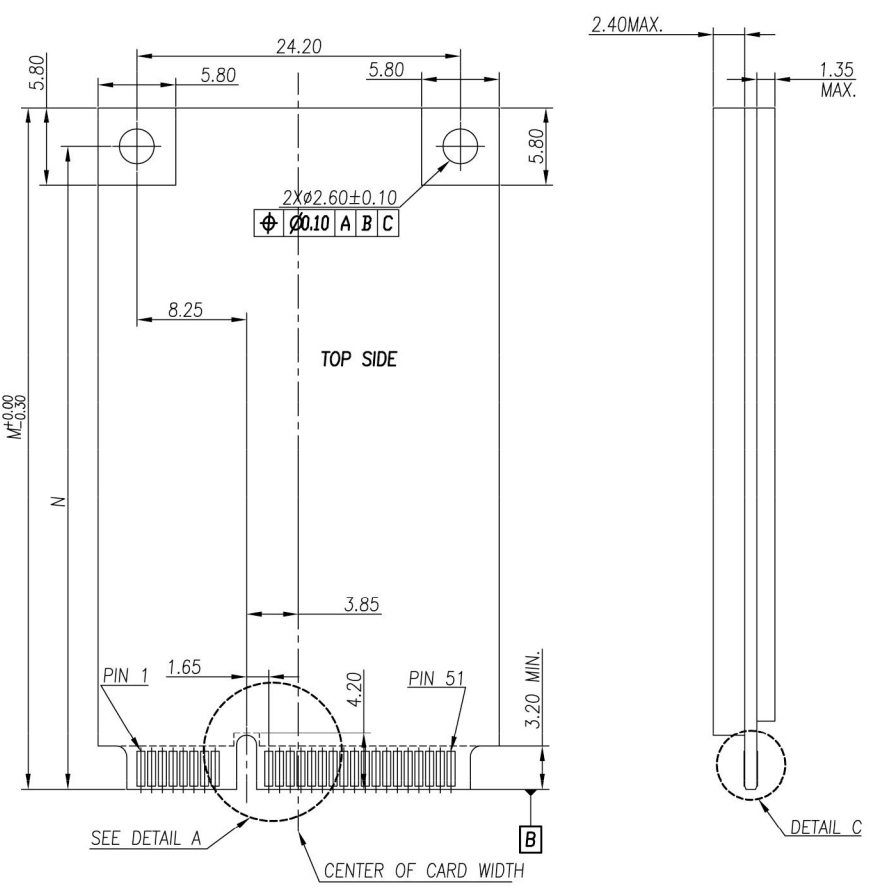


## NINGBO KLS ELECTRONIC CO; LTD

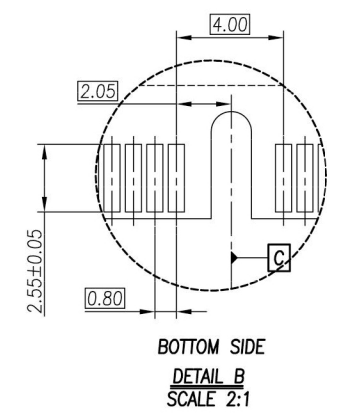
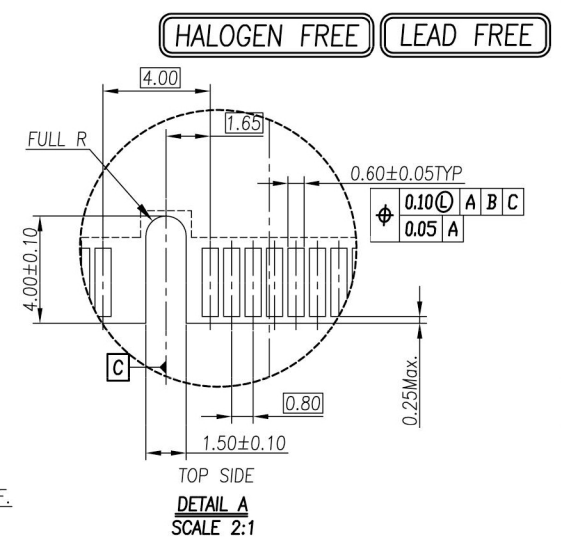
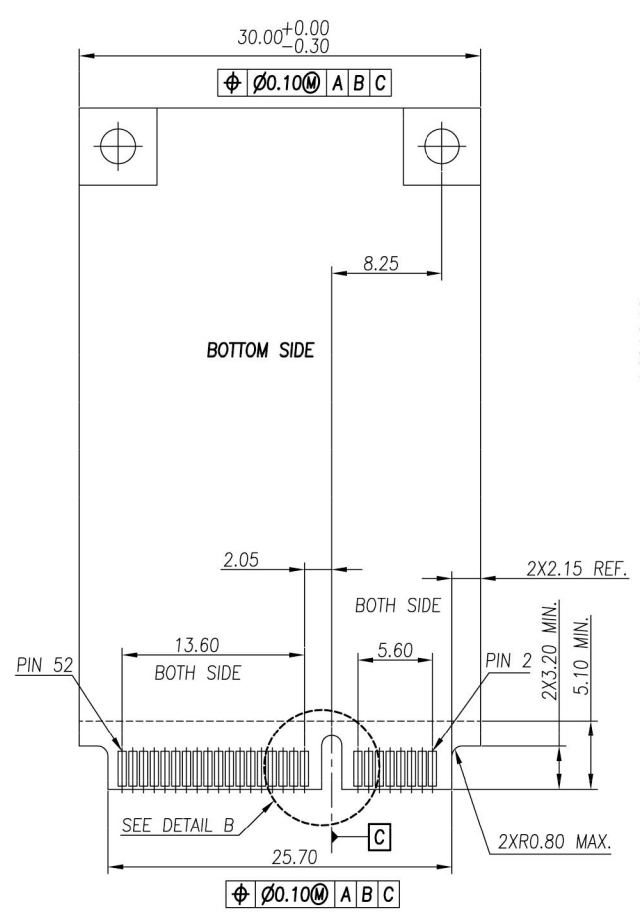
GENERAL TOLERANCES UNLESS SPECIFIED					UNIT:	m m	DR:	YM	TITLE:	MINI PCI 0.8P 52P 5.2H		
X.	±0.35	X.*	±1.0'	3RD:		DE:	LiCheng	SHEET:	3/3	<a href="http://WWW.KLSELE.COM">WWW.KLSELE.COM</a>		
.X	±0.25	.X*	±	SCALE:	1 : 1	CHKD:	ChenMin	D/N:	L-KLS1-PCI06-H5.2-G0			
.XX	±	.XX*	±	REV:	A	APPD:						
.XXX	±	.XXX*	±									
Angle ±												

PART NO.	DESCRIPTION	PCS/REEL	REEL/CARTON	PCS/CARTON
	MINI PCI 0.8P 52P 5.2H	650	3	1.95K

REV	DESCRIPTION	DATE	ECN NO.	CHANGER
A	INITIAL RELESAE	11/03.21		YM



DETAIL C  
SCALE 2:1



DETAIL B  
SCALE 2:1

## NINGBO KLS ELECTRONIC CO; LTD

	M	N	P
	50.95	48.05	48.05
	26.8	23.9	23.9

GENERAL TOLERANCES UNLESS SPECIFIED		UNIT:	m m	DR:	YM	TITLE:	MINI PCI 0.8P 52P 5.2H	
X.	±0.35	X.*	±1.0'	3RD:	DE:		LiCheng	
.X	±0.25	.X*	±	SCALE:	CHKD:	ChenMin	SHEET:	2/3
.XX	±	.XX*	±	REV:	APPD:		D/N:	L-KLS1-PCI06-H5.2-G0
.XXX	±	.XXX*	±					WWW.KLSELE.COM
Angle	±							