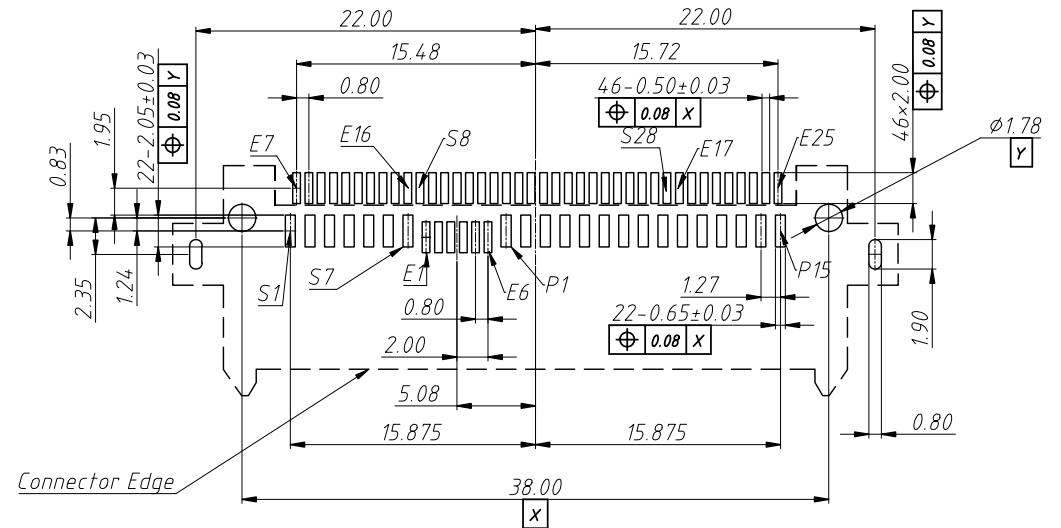
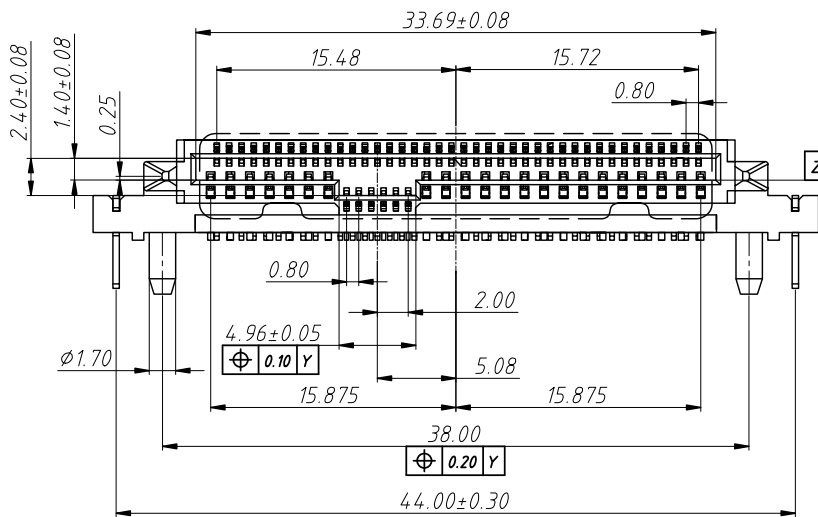
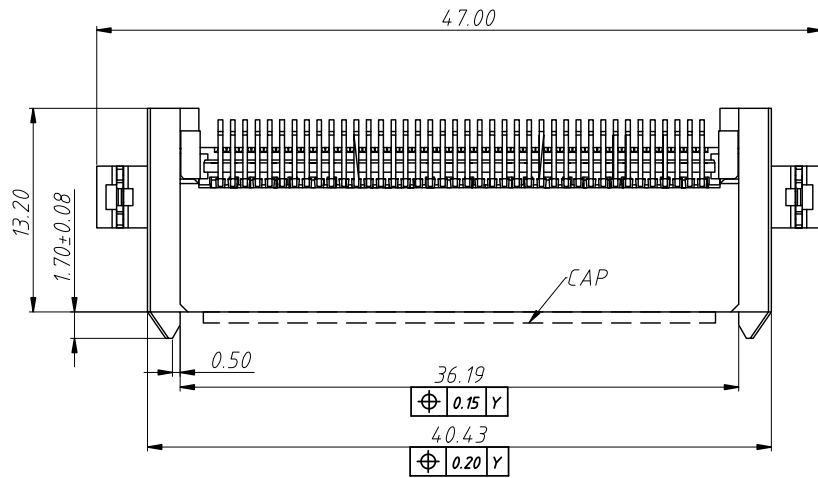


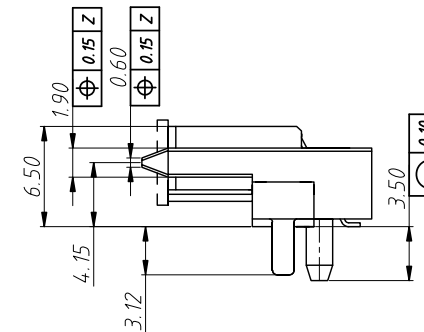
1 RoHS Compliance



Recommended PCB Layout

Thickness: 1.6mm

Tolerance ±0.05mm



Order Information

L-KLS1-SAS010-68RTxx

RoHS

Connector

Pin Number: 68Pin

Installation Method

RT: Horizontal SMT

Gold Plating:

00-Gold Flash 03-Au 3u"

15-Au 15u" 30-Au 30u"

Material

Housing: Hige Thermoplastic, UL 94 V-0, Black.

Cap: Hige Thermoplastic, UL 94 V-0, Black.

Terminal: Copper Alloy, Selective Au On Contact Area (See Order Information)

100u" Min. Sn Plated On Solder Tail Area. Both Over 50u" Min. Ni Underplated Overall

Board Lock: Copper Alloy, 100u" Min Sn Plated On Solder Tail Area,

Both Over 50u" Min Ni Underplated Overall.

Packing: Tape & Reel

ANGLE TOLERANCE	PROJECTION	Description:	
±3°		PCIE SAS 68 Pin	
		Horizontal SMT	
GENERAL TOLERANCE	UNITS	mm	KLS P/N:
x.x ±0.30	SHEET SIZE	A4	XX
x.xx ±0.20	Draw:	Daniel	2023-05-08
x.xxx ±0.10	Check:	Daniel	2023-05-08



NingBo KLS ELECTRONIC CO., L TD.