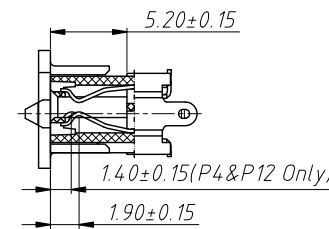
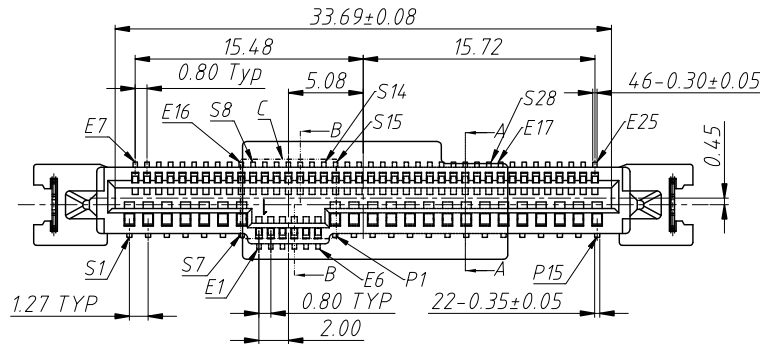
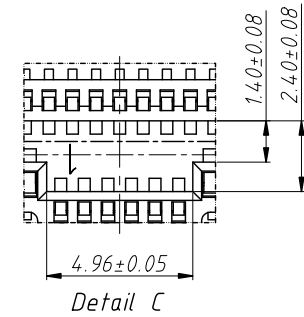
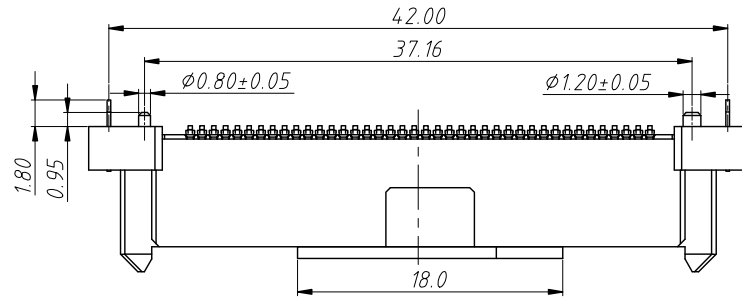
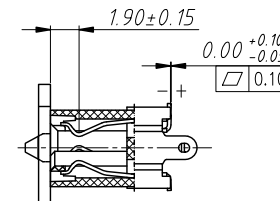
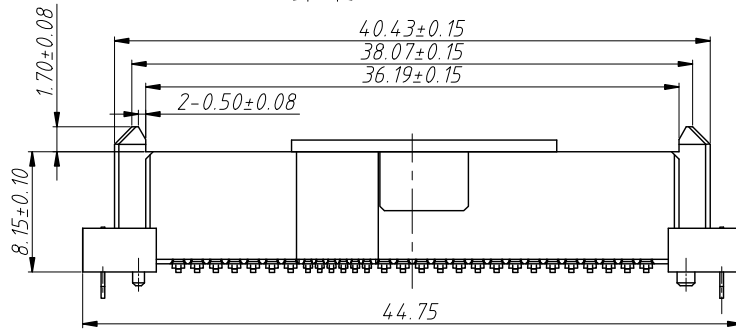
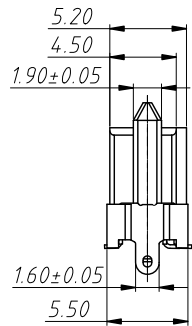


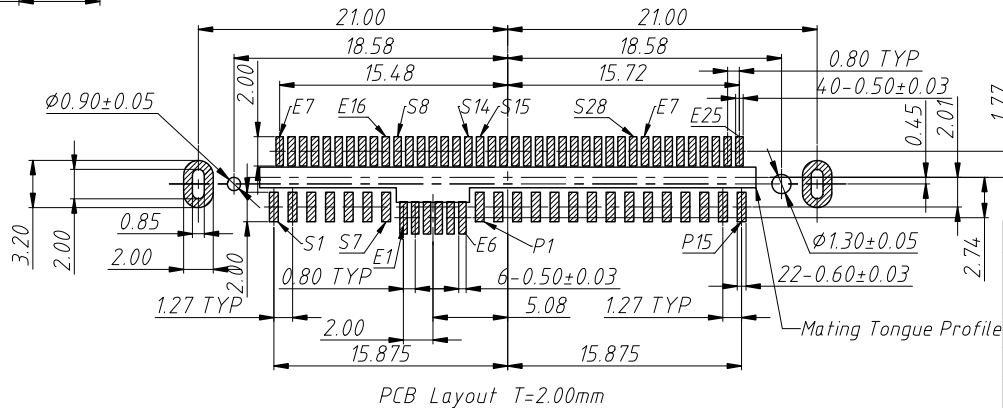
RoHS Compliance



Section A-A



Section B-B



PCB Layout T=2.00mm

Notes:

1.Material:

Housing:LCP,UL 94V-0, Black

Contact:Phosphor Bronze

Au Plating On Contact Area

Sn (100u"Min.) Plating On Solder Tail

Ni (50u"Min.) Under Plating Overall

Harpoon:Phosphor Bronze

Sn Plating(100u"Min.) On Solder Tail

Ni(50u"Min.)Under Plating Overall

2.Mechanical:

Insertion Force:59N Max

Withdrawal Force:6N Min

Durability:500 Cycles

3.Electrical:

Current Rating: 1.5 Ampere Per Contact

Contact Resistance:30 mΩ Max.

Insulation Resistance:1000 MΩ Min.

Dielectric Withstanding Voltage:500 VAC

4.Environmental:

Operating Temperature:0°C ~ +55°C

Order Information

L-KLS1-SAS009-68VTxx

RoHS

Connector

Pin Number:68Pin

Installation Method

VT:Vertical SMT

Gold Plating:

00-Gold Flash 03-Au 3u"

15-Au 15u" 30-Au 30u"

ANGLE TOLERANCE	PROJECTION	Description:	
±3°		SAS PCIe 68 PIN Female, Vertical, SMT Type	
GENERAL TOLERANCE	UNITS	mm	KLS P/N:
x.x ±0.30	SHEET SIZE	A4	L-KLS1-SAS009-68VTxx
x.xx ±0.20	Draw:	Daniel	2023-05-08
x.xxx ±0.10	Check:	Daniel	2023-05-08



NingBo KLS ELECTRONIC CO.,L TD.