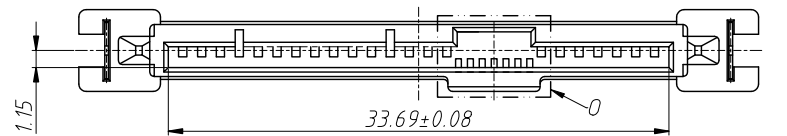


RoHS Compliance

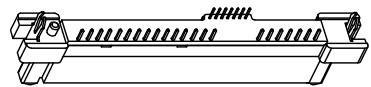
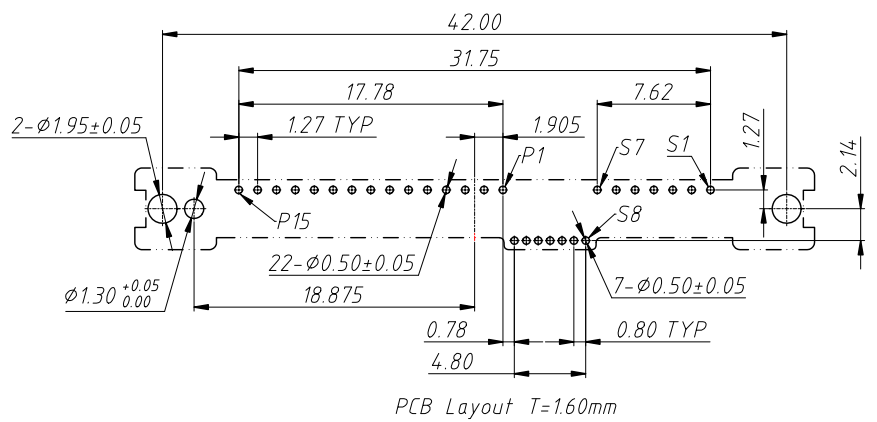
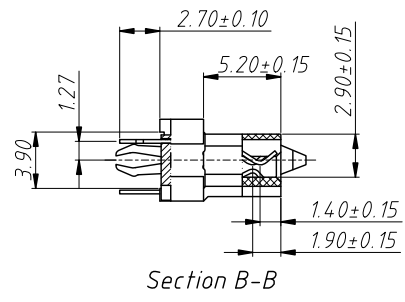
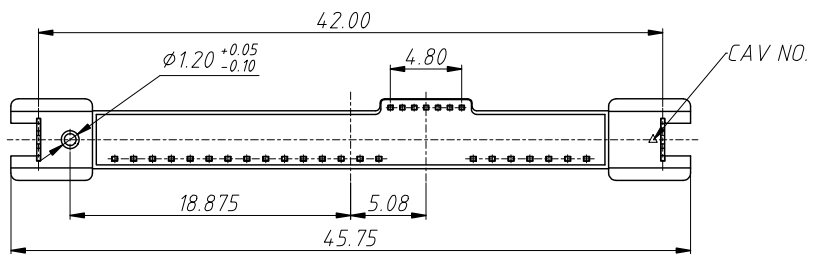
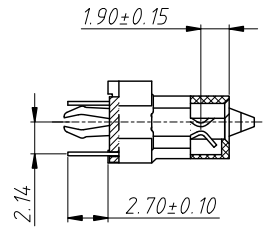
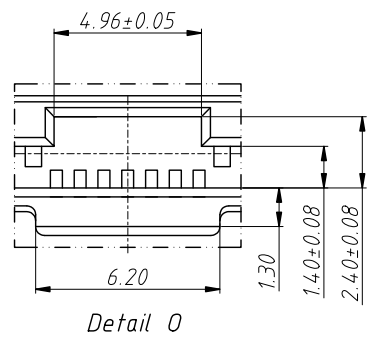
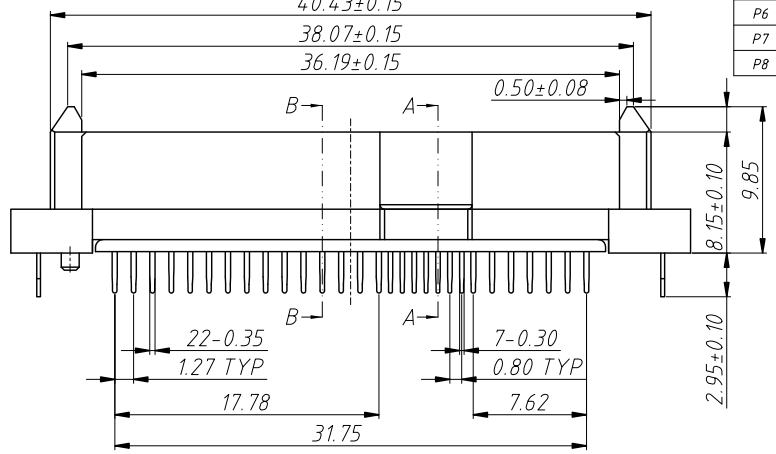
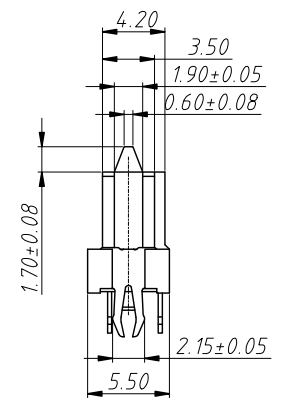


Power Segment			
PIN NO.	Type	Name	Type
P1	V3.3	P9	V5
P2	V3.3	P10	Ground
P3	V3.3	P11	Ready Led
P4	Ground	P12	Ground
P5	Ground	P13	V12
P6	Ground	P14	V12
P7	V5	P15	V12
P8	V5		

Signal Segment			
PIN NO.	Type	Name	Type
S1	Signal Ground	S8	Signal Ground
S2	TP+	S9	TS+
S3	TP-	S10	TS-
S4	Signal Ground	S11	Signal Ground
S5	RP-	S12	RS-
S6	RP+	S13	RS+
S7	Signal Ground	S14	Signal Ground

Notes:

- Material:
 - Housing: LCP, UL 94 V-0, Black
 - Contact: Phosphor Bronze
 - Au Plating On Contact Area
 - Sn (100u"Min.) Plating On Solder Tail
 - Ni (40u"Min.) Under Plating Overall
 - Harpoon: Phosphor Bronze
 - Sn Plating (100u"Min.)
 - Over Nickel (40u"Min.)
- Mechanical:
 - Insertion Force: 25N Max
 - Withdrawal Force: 5N Min
 - Durability: 500 Cycles
- Electrical:
 - Current Rating: 1.5 Ampere Per Contact
 - Contact Resistance: 30 mΩ Max.
 - Insulation Resistance: 1000 MΩ Min.
 - Dielectric Withstanding Voltage: 500 VAC
- Environmental:
 - Operating Temperature: 0°C ~ +55°C



Order Information

L-KLS1-SAS007-29SHxx

RoHS

Connector

Pin Number: 29Pin

Installation Method

SH: Vertical DIP

Gold Plating:

00-Gold Flash 03-Au 3u"

15-Au 15u" 30-Au 30u"

ANGLE TOLERANCE	PROJECTION	Description:
±3°		
GENERAL TOLERANCE	UNITS	mm
x.x ±0.30	SHEET SIZE	A4
x.xx ±0.20	Draw:	Daniel 2023-05-08
x.xxx ±0.10	Check:	Daniel 2023-05-08

SAS-29 PIN,
Vertical, DIP Type

L-KLS1-SAS007-29SHxx

KLS NingBo KLS ELECTRONIC CO.,L TD.