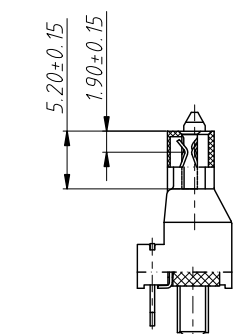
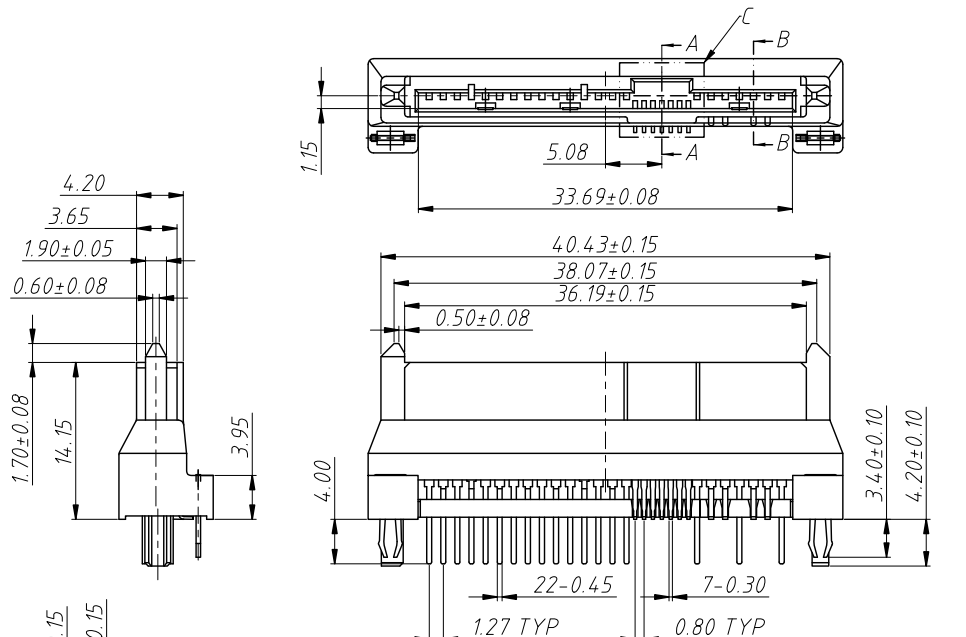
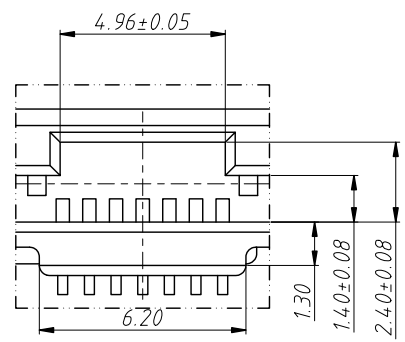


1 RoHS Compliance

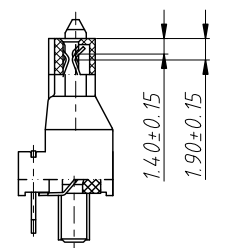


Section A-A

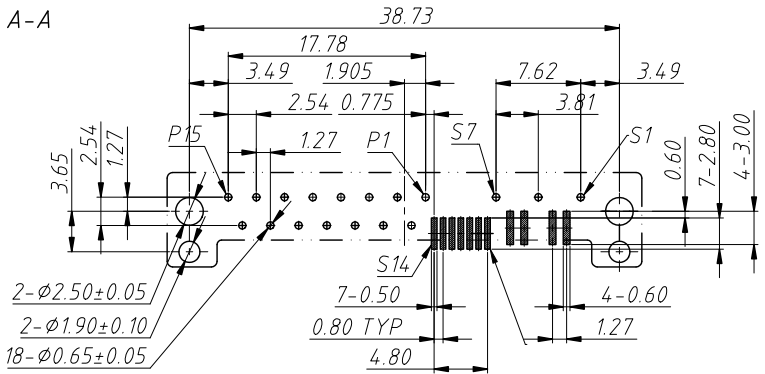
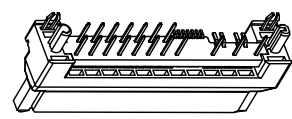
Power Segment				Signal Segment			
PIN NO.	Type	Name	Type	Pin NO.	Type	Name	Type
P1	V3.3	P9	V5	S1	Signal Ground	S8	Signal Ground
P2	V3.3	P10	Ground	S2	TP+	S9	TS+
P3	V3.3	P11	Ready Led	S3	TP-	S10	TS-
P4	Ground	P12	Ground	S4	Signal Ground	S11	Signal Ground
P5	Ground	P13	V12	S5	RP-	S12	RS-
P6	Ground	P14	V12	S6	RP+	S13	RS+
P7	V5	P15	V12	S7	Signal Ground	S14	Signal Ground
P8	V5						



Detail C



Section B-B



PCB Layout T=3.00

Notes:  
 1.Material:  
 Housing:LCP+50%G.F,UL94V-0, Black  
 Contact:Phosphor Bronze  
 Au Plating On Contact Area  
 Sn (100u"Min.) Plating On Solder Tail  
 Ni (40u"Min.) Under Plating Overall  
 Harpoon:Phosphor Bronze  
 Sn Plating(100u"Min.)  
 Over Nickel(50u"Min.).

2.Mechanical:  
 Insertion Force:50N Max  
 Withdrawal Force:20N Min  
 Durability:500 Cycles  
 3.Electrical:  
 Current Rating: 1.5 Ampere Per Contact  
 Contact Resistance:30 mΩ Max.  
 Insulation Resistance:1000 MΩ Min.  
 Dielectric Withstanding Voltage:500 VAC  
 4.Environmental:  
 Operating Temperature:0°C ~ +55°C

Order Information  
 L-KLS1-SAS006-29VTxx  
 RoHS  
 Connector  
 Pin Number:29Pin  
 Installation Method  
 VT:Vertical SMT  
 Gold Plating:  
 00-Gold Flash 03-Au 3u"  
 15-Au 15u" 30-Au 30u"

ANGLE TOLERANCE	PROJECTION	Description:	
±3°		SAS-29 PIN, Vertical, DIP+SMT Type	
GENERAL TOLERANCE	UNITS	mm	KLS P/N:
x.x ±0.30	SHEET SIZE	A4	XX
x.xx ±0.20	Draw:	Daniel	2023-05-08
x.xxx ±0.10	Check:	Daniel	2023-05-08

