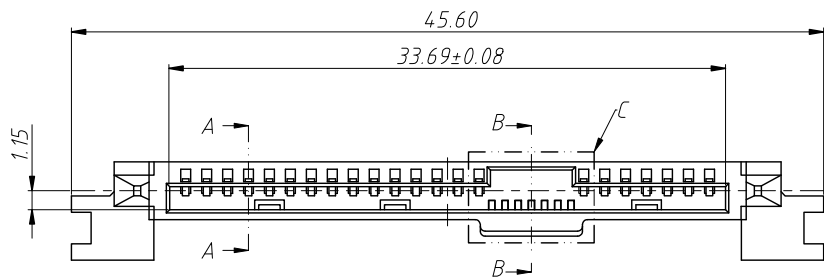
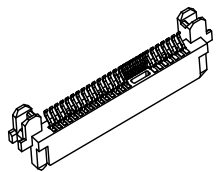


RoHS Compliance



Power Segment			
PIN NO.	Type	Name	Type
P1	V3.3	P9	V5
P2	V3.3	P10	Ground
P3	V3.3	P11	Ready Led
P4	Ground	P12	Ground
P5	Ground	P13	V12
P6	Ground	P14	V12
P7	V5	P15	V12
P8	V5		

Signal Segment			
Pin NO.	Type	Name	Type
S1	Signal Ground	S8	Signal Ground
S2	TP+	S9	TS+
S3	TP-	S10	TS-
S4	Signal Ground	S11	Signal Ground
S5	RP-	S12	RS-
S6	RP+	S13	RS+
S7	Signal Ground	S14	Signal Ground

Notes:

1.Material:
 Housing:LCP+50%G.F,UL94V-0, Black
 Contact:Phosphor Bronze
 Au Plating On Contact Area
 Sn (100u"Min.) Plating On Solder Tail
 Ni (40u"Min.) Under Plating Overall
 Harpoon:Phosphor Bronze
 Tin Plating(100u"Min.)
 Over Nickel(50u"Min.).

2.Mechanical:

Insertion Force:50N Max
 Withdrawal Force:20N Min
 Durability:500 Cycles

3.Electrical:

Current Rating: 1.5 Ampere Per Contact
 Contact Resistance:30 mΩ Max.
 Insulation Resistance:1000 MΩ Min.

Dielectric Withstanding Voltage:500 VAC

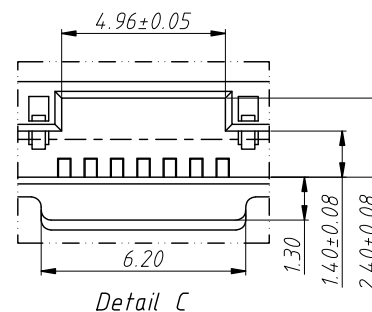
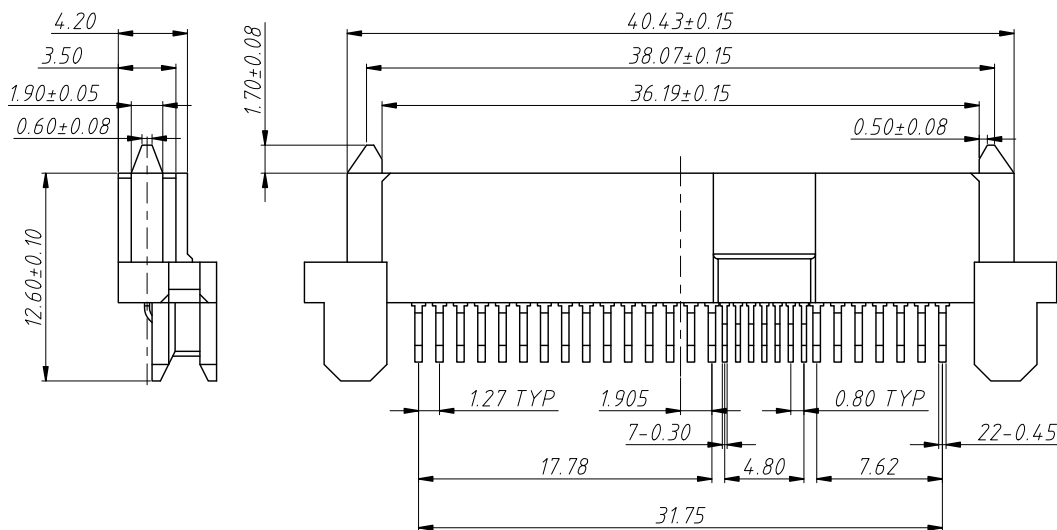
4.Environmental:

Operating Temperature:0°C ~ +55°C

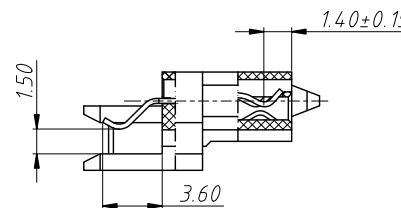
Order Information

L-KLS1-SAS003-29VSxx

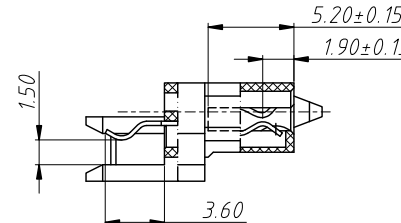
RoHS
 Connector
 Pin Number:29Pin
 Installation Method
 VS: Splint Type
 Gold Plating:
 00-Gold Flash 03-Au 3u"
 15-Au 15u" 30-Au 30u"



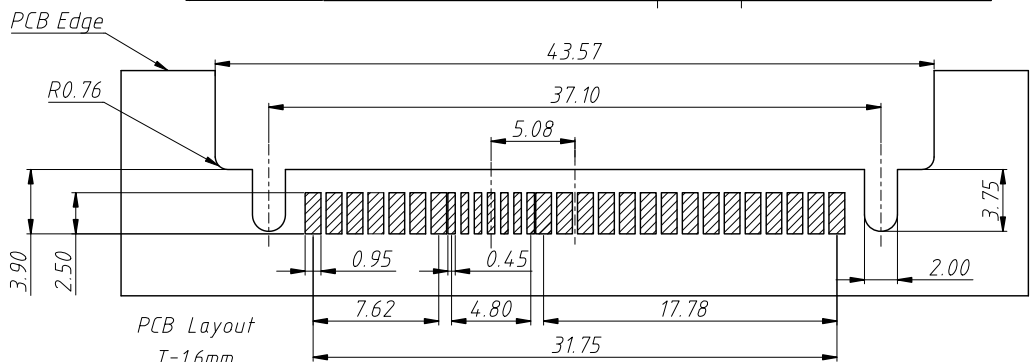
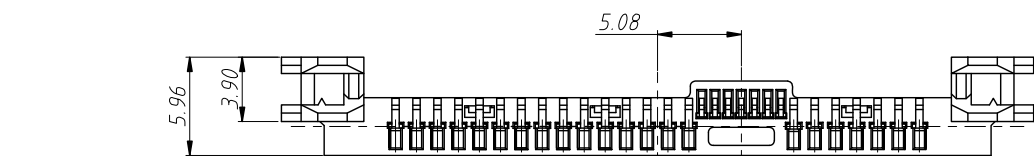
Detail C



Section A-A



Section B-B



ANGLE TOLERANCE	PROJECTION	Description:
±3°		SAS-29 PIN, R/A, Straddle SMT Type
GENERAL TOLERANCE	UNITS	mm
x.x ±0.30	SHEET SIZE	A4
x.xx ±0.20	Draw:	Daniel
x.xxx ±0.10	Check:	Daniel

KLS
 NingBo KLS ELECTRONIC CO.,L TD.

KLS P/N:	Description:
L-KLS1-SAS003-29VSxx	L-KLS1-SAS003-29VSxx
2023-05-08	2023-05-08