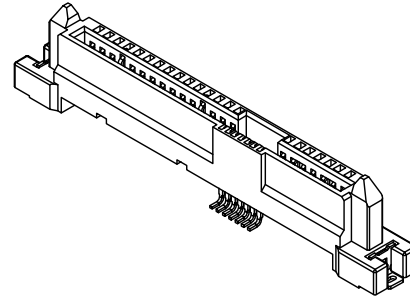
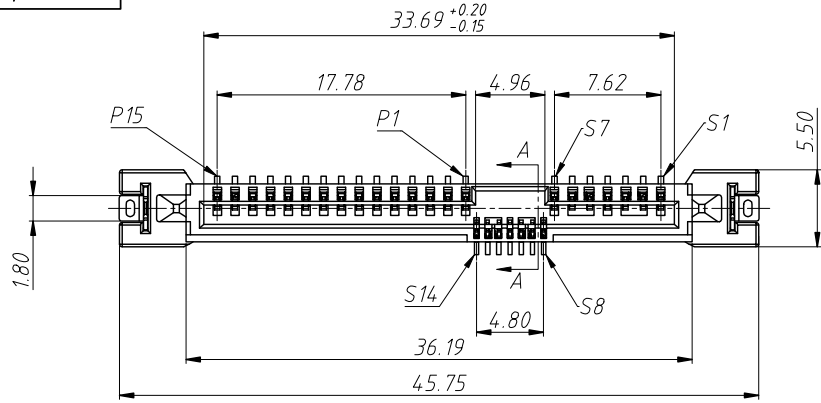


RoHS Compliance



Note:

1.Material:

Housing:High Temperature,Thermoplastic
UL94 V-0,Color: Black

Cap:High Temperature,Thermoplastic,
UL94 V-0,Color: Black.

Terminal:Copper Alloy

Forklock:Copper Alloy

2.Finish:

Contact:Order Information

Gold Plating On The Contact Area

100u"Min Tin Plating On The Soldering Area

50u"Min Nickel Underplating Overall

Forklock:100u"Min Tin Plating Overall

50u"Min Nickel Underplating Overall

3.Electrical:

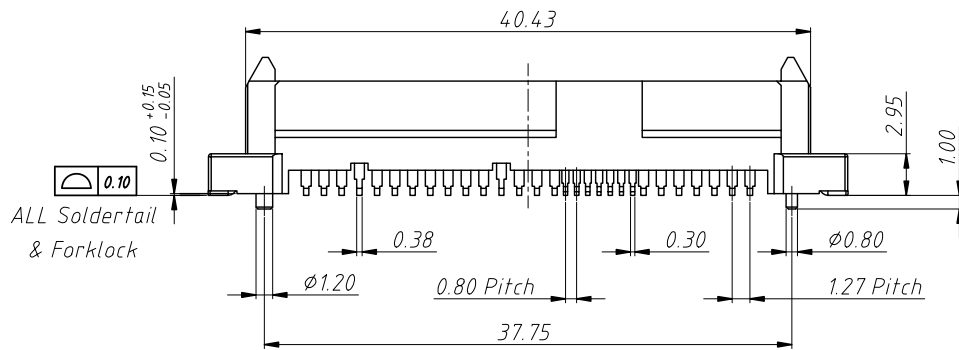
Current Rating: 1.5 Ampere Per Contact

Contact Resistance:30 Milliohms Max.

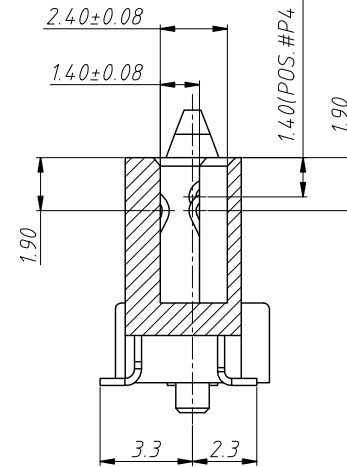
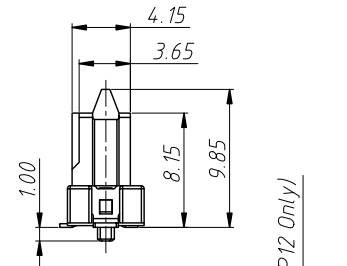
Insulation Resistance:1000 Megohms Min.

Dielectric Withstanding Voltage:500 VAC.

Operating Temperature:-25°C+85°C



ALL Solderfail
& Forklock



Section A-A

Order Information

L-KLS1-SAS001-29VTxx

RoHS

Connector

Pin Number:29Pin

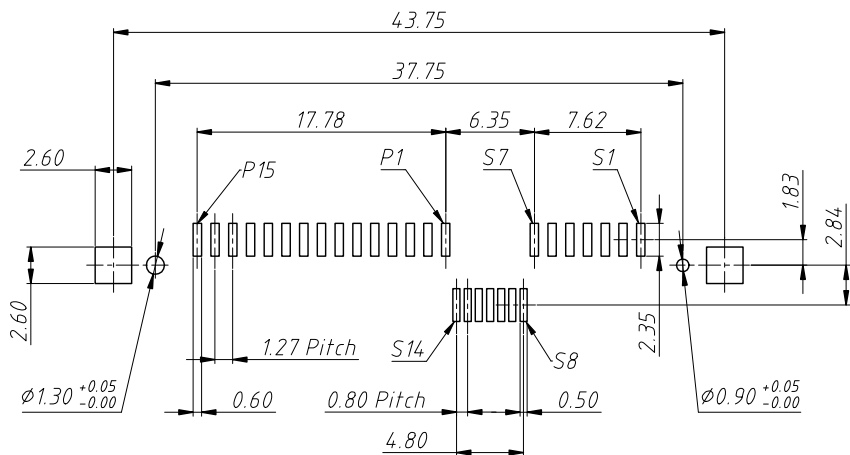
Installation method

VT:Vertical SMT

Gold Plating:

00-Gold Flash 03-Au 3u"

15-Au 15u" 30-Au 30u"



Recommended PCB Layout

Tolerance:±0.05mm

ANGLE TOLERANCE	PROJECTION	Description:	
±3°		12G SAS Connector 29 PIN Receptacle Vertical SMT	
GENERAL TOLERANCE	UNITS	mm	KLS P/N: L-KLS1-SAS001-29VTxx
x.x ±0.30	SHEET SIZE	A4	XX
x.xx ±0.20	Draw:	Daniel	2023-05-06
x.xxx ±0.10	Check:	Daniel	2023-05-06



NingBo KLS ELECTRONIC CO.,L TD.