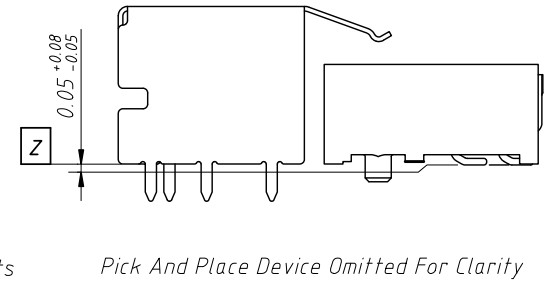
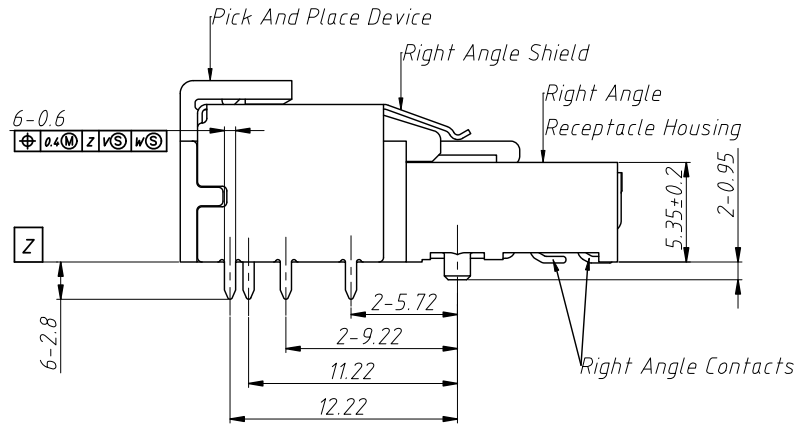
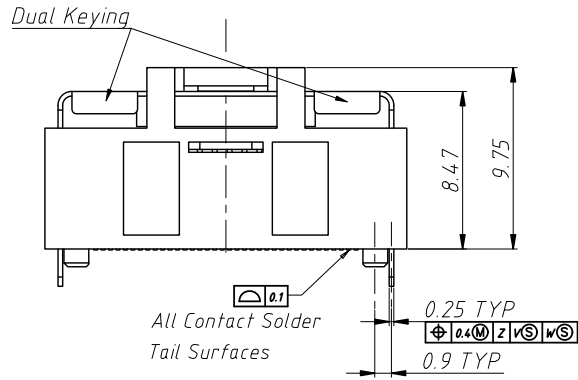
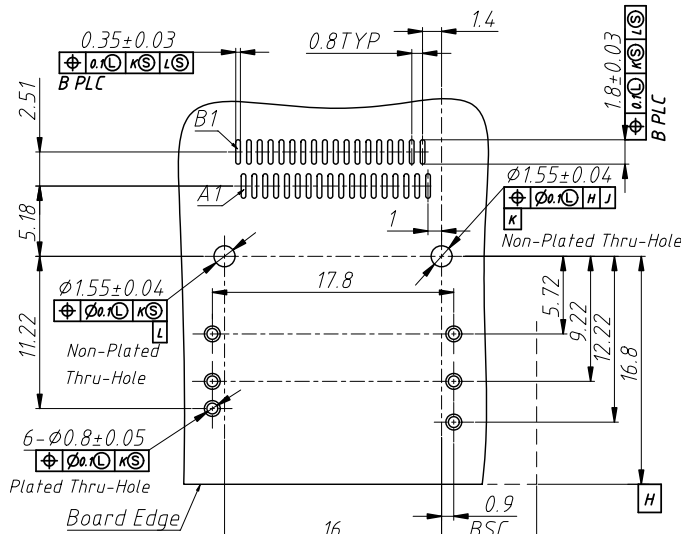
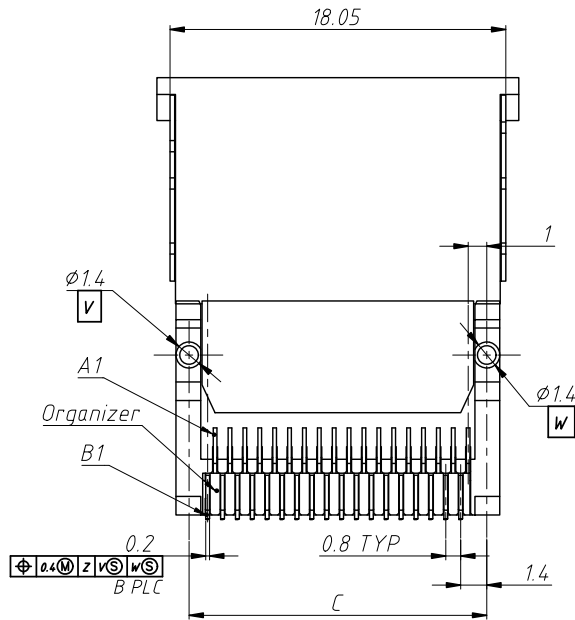


1 RoHS Compliance



Material: LCP, Black, UL94V-0.
 Material: Phosphor Bronze Per Astm B 103.
 Finish: 0.76um Min Gold Plate
 Area And 2.03um Min Tin Plate Solder Tails.
 All Over 3.81um Min Nickel Plate
 Material: Nickel-Silver



Recommended PCB Layout

Order Information
 L-KLS1-MAS006-36RTxx

RoHS
 Connector
 Pin Number: 36Pin
 Installation method
 RT: Horizontal SMT
 Gold Plating:
 00-Gold Flash 03-Au 3u"
 15-Au 15u" 30-Au 30u"

ANGLE TOLERANCE	PROJECTION	Description:	MINI SAS RCP 36P SLD RA SMD Horizontal SMT
±3°			
GENERAL TOLERANCE	UNITS	mm	KLS P/N: L-KLS1-MAS006-36RTxx
x.x ±0.30	SHEET SIZE	A4	xx
x.xx ±0.20	Draw:	Daniel	2023-03-27
x.xxx ±0.10	Check:	Daniel	2023-03-27

NingBo KLS ELECTRONIC CO.,L TD.