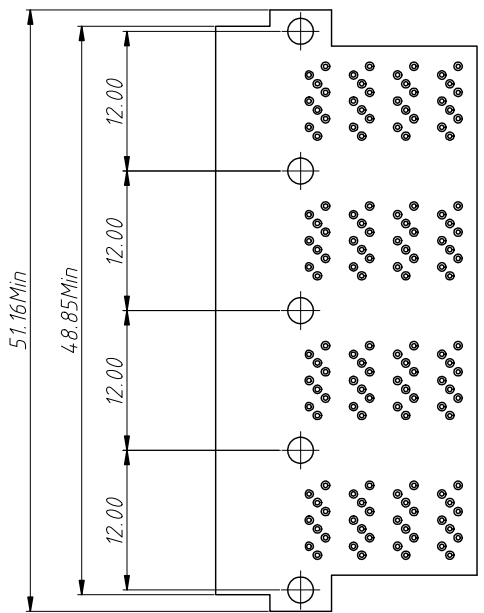
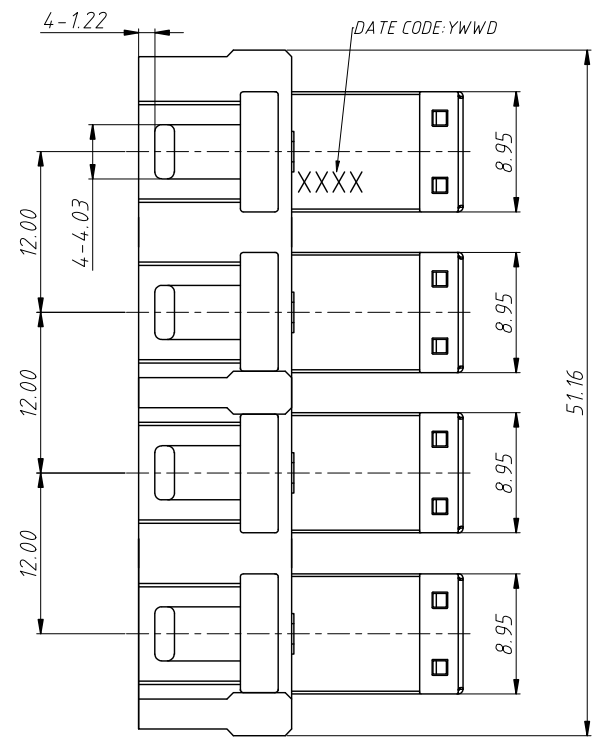
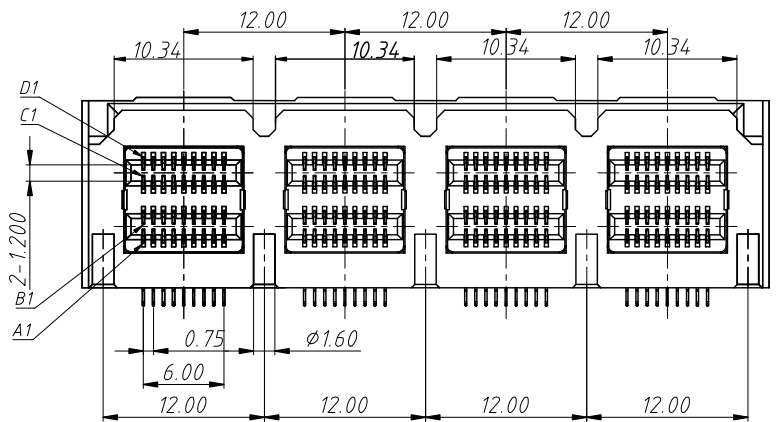


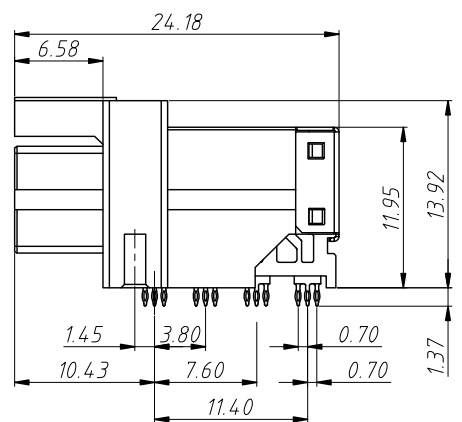
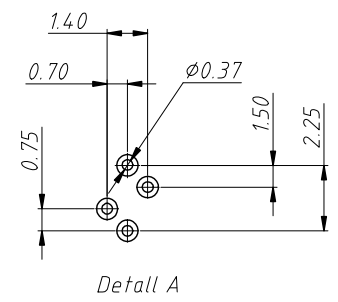
RoHS Compliance



Recommended PCB Layout
Tolerance: ±0.05mm



Description:
 Insulator: High Temperature Thermoplastic
 UL94V-0, Black
 Terminal: Copper Alloy
 Contact Area: See Order Information
 Tail Area: 30-60u"Matte Tin Plating
 Under Plating: Nickel 100u"Min
 Back-Shell: Stainless Steel
 Mounting Hard Ware:
 M2x0.4 Self Threading Screw
 Mounting Screw Length:
 PCB Thickness + 2.5mm Max



ANGLE TOLERANCE	PROJECTION	Description:	
±3°		Mini SAS HD 1x4 Integrated 90° PRESS TYPE	
GENERAL TOLERANCE	UNITS	mm	KLS P/N:
x.x ±0.30	SHEET SIZE	A4	XX
x.xx ±0.20	Draw:	Daniel	2023-03-20
x.xxx ±0.10	Check:	Daniel	2023-03-20

NingBo KLS ELECTRONIC CO.,L TD.