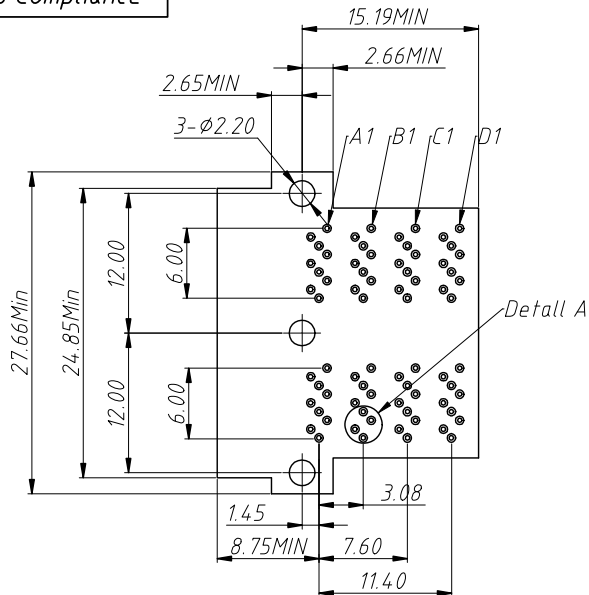
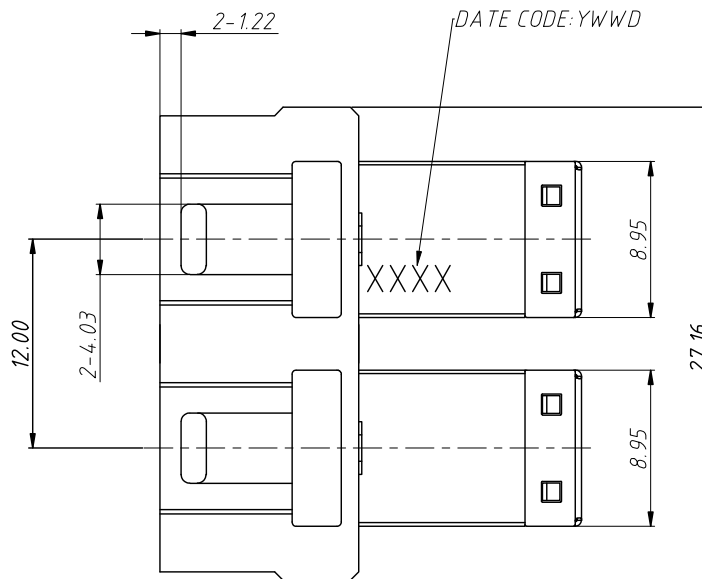
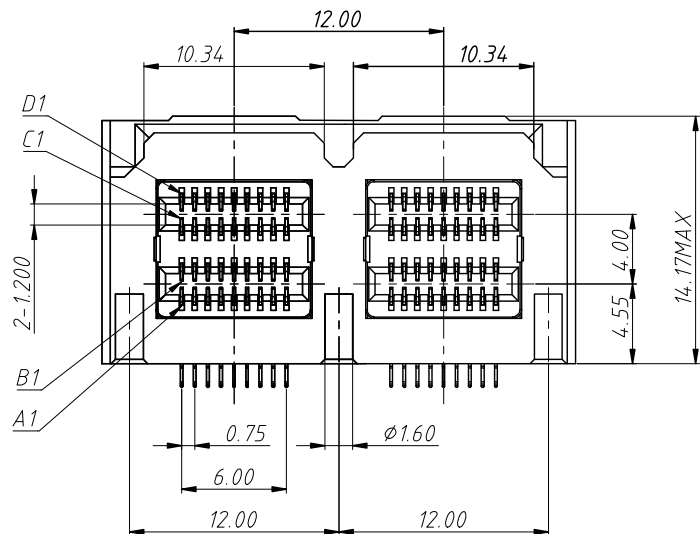


1 RoHS Compliance



Recommended PCB Layout
Tolerance: ±0.05mm



Description:

Insulator: High Temperature Thermoplastic
UL94V-0, Black

Terminal: Copper Alloy

Contact Area: See Order Information

Tail Area: 30-60u"Matte Tin Plating

Under Plating: Nickel 100u"Min

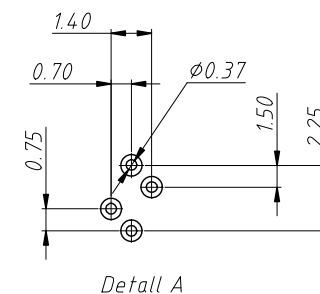
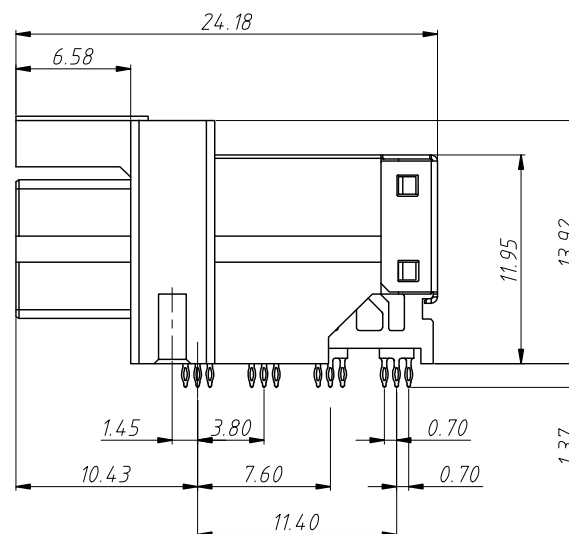
Back-Shell: Stainless Steel

Mounting Hard Ware:

M2x0.4 Self Threading Screw

Mounting Screw Length:

PCB Thickness + 2.5mm Max



ANGLE TOLERANCE	PROJECTION	Description:	Mini SAS HD 1x2 Integrated 90° PRESS TYPE
±3°			
GENERAL TOLERANCE	UNITS	mm	KLS P/N: L-KLS1-MAS002-36FTxx
x.x ±0.30	SHEET SIZE	A4	XX
x.xx ±0.20	Draw:	Daniel	2023-03-20
x.xxx ±0.10	Check:	Daniel	2023-03-20



NingBo KLS ELECTRONIC CO.,L TD.