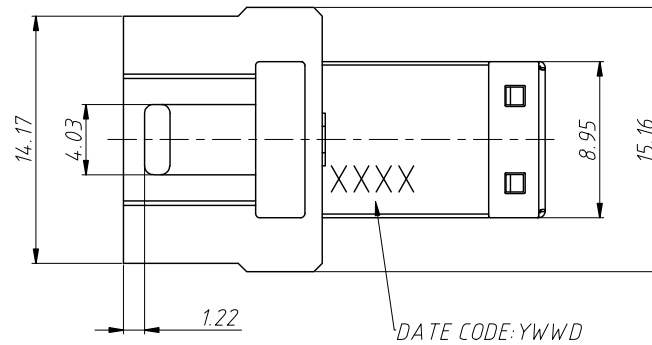
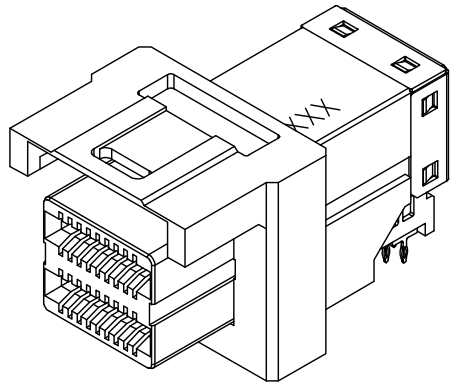


1 RoHS Compliance



Description:

Insulator: High Temperature Thermoplastic
UL94V-0, Black

Terminal: Copper Alloy

Contact Area: See Order Information

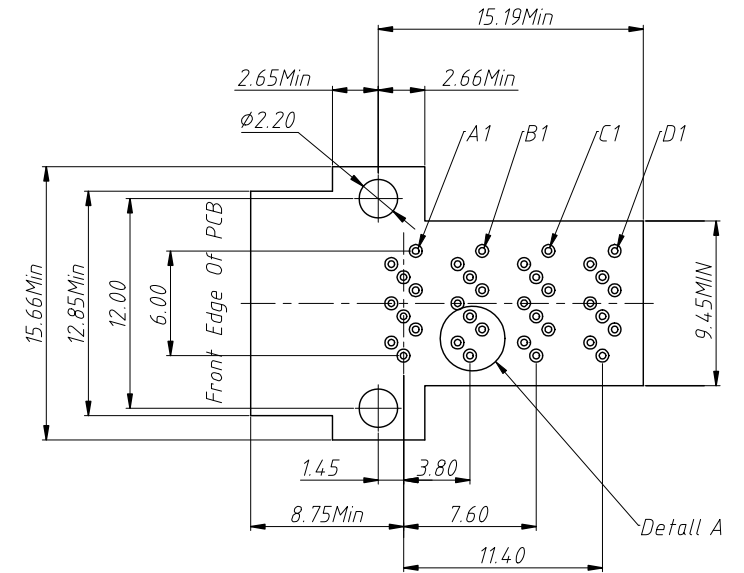
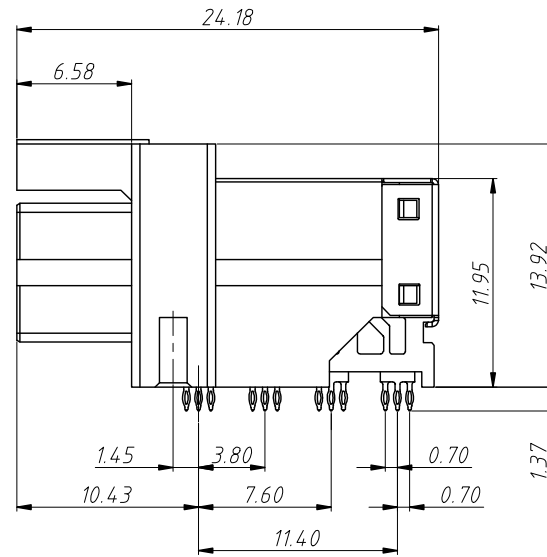
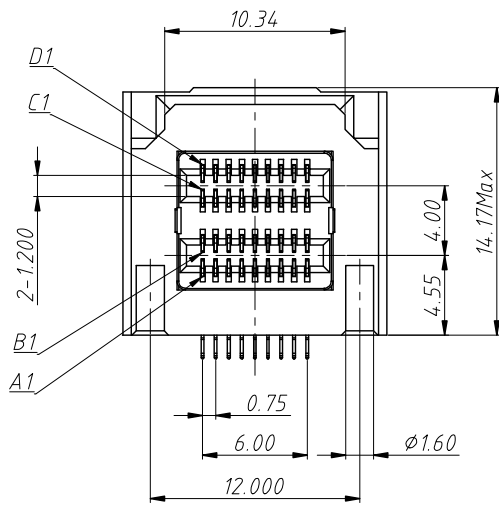
Tail Area: 30-60u"Matte Tin Plating

Under Plating: Nickel 100u"Min

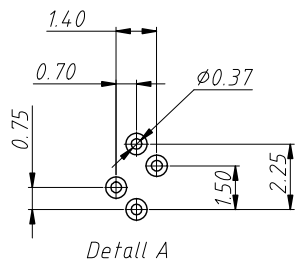
Back-Shell: Stainless Steel

Mounting Hard Ware: M2x0.4 Self Threading Screw

Mounting Screw Length: PCB Thickness + 2.5mm Max



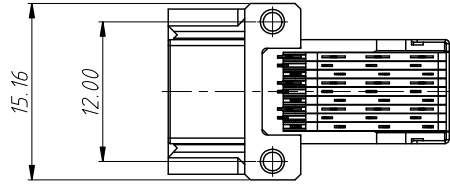
Recommended PCB Layout
Tolerance: ±0.05mm



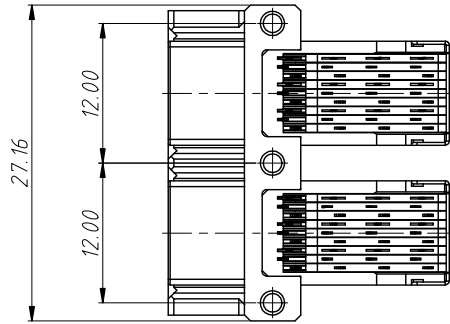
ANGLE TOLERANCE	PROJECTION	Description:	Mini SAS HD 1x1 Integrated 90° PRESS TYPE
±3°			
GENERAL TOLERANCE	UNITS	mm	KLS P/N: L-KLS1-MAS001-36FTxx
x.x ±0.30	SHEET SIZE	A4	1 of 2
x.xx ±0.20	Draw:	Daniel	2023-03-17
x.xxx ±0.10	Check:	Daniel	2023-03-17

NingBo KLS ELECTRONIC CO.,L TD.

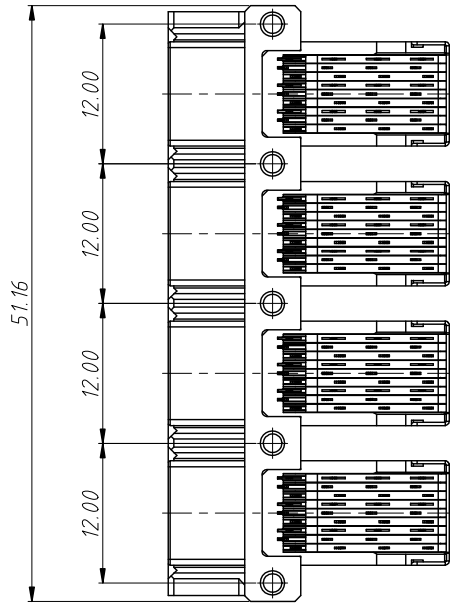
1
RoHS Compliance



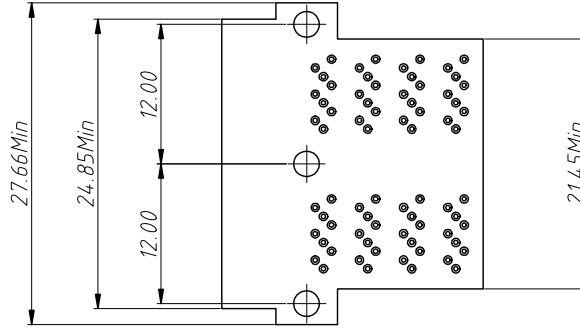
1x1 Integrated Connector



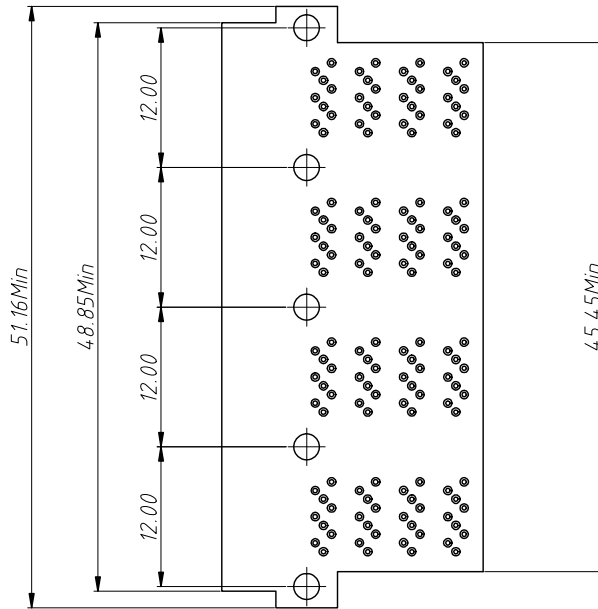
1x2 Integrated Connector



1x4 Integrated Connector



1x2 Right Angle
Integrated HD Connector Footprint



1x4 Right Angle
Integrated HD Connector Footprint

Description:

- 1.Recommended Drill Size For $\phi 0.37$ Finished PTH Is $\phi 0.457$ (#77 Drill)
- 2.Recommended Annular Ring Around $\phi 0.37$ Finished PTH Is $\phi 0.73$
- 3.Minimum PCB Thickness:1.57mm
- 4.Pin Assignments Please Refer To Serial Attached SCSI-3 (SAS-3) Standard

Order Information

L-KLS1-MAS001-36FTxx

RoHS
Connector
Pin Number:36Pin
Installation Method
FT:Press-Fit
Gold Plating:
00-Gold Flash 03-Au 3u"
15-Au 15u" 30-Au 30u"

ANGLE TOLERANCE	PROJECTION	Description:	Mini SAS HD 1x1 Integrated 90° PRESS TYPE	
$\pm 3^\circ$				
GENERAL TOLERANCE	UNITS	mm	KLS P/N:	L-KLS1-MAS001-36FTxx
x.x ± 0.30	SHEET SIZE	A4	2 of 2	NingBo KLS ELECTRONIC CO.,L TD.
x.xx ± 0.20	Draw:	Daniel	2023-03-17	
x.xxx ± 0.10	Check:	Daniel	2023-03-17	