

Material:

Housing: Solder Reflow Process
Compatible Lcp,Black UL94 V-0

Contacts: High Performance Copper Alloy,
Plating (See Order Information)

Latch: Stainless Steel,
Solderable Nickel Overall

Order Information

L-KLS1-LAS004-74RTxx

RoHS

Connector

Pin Number: 74Pin

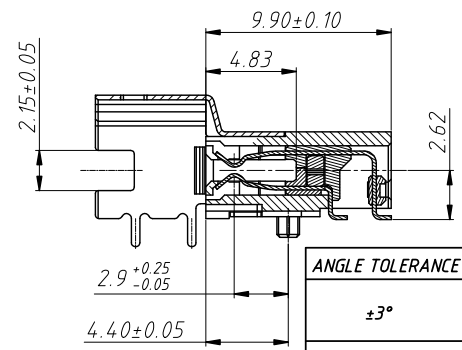
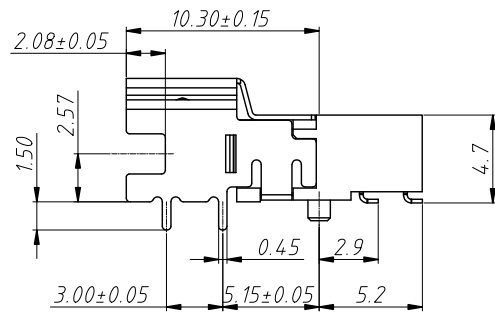
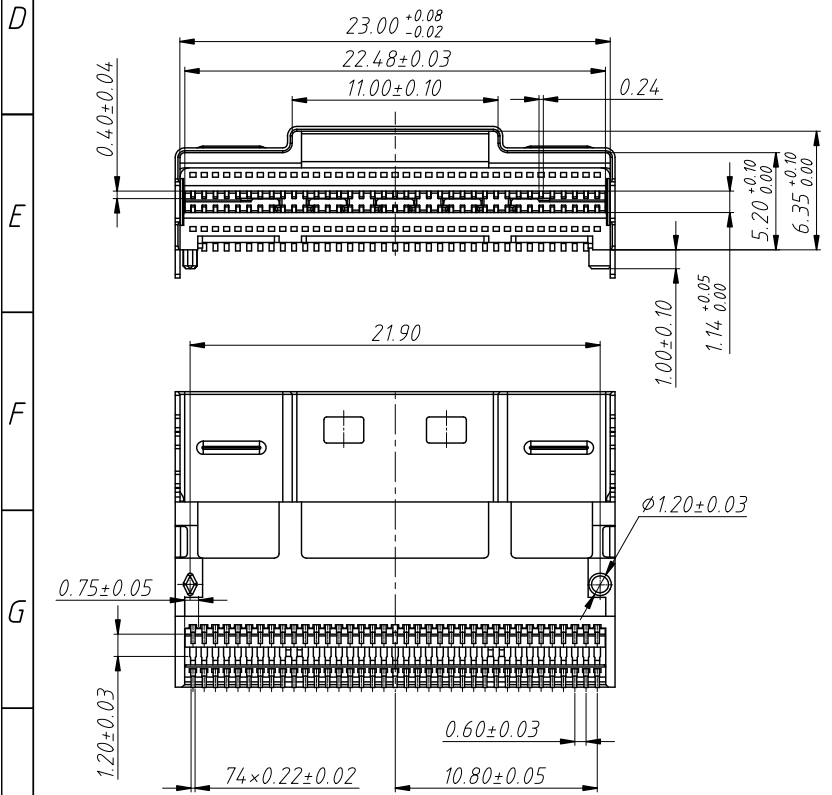
Installation method

RT:Horizontal SMT

Gold Plating:

00-Gold Flash 03-Au 3u"

15-Au 15u" 30-Au 30u"



ANGLE TOLERANCE	PROJECTION	Description:	SAS Connector
±3°			Horizontal SMT 90° Female Housing
GENERAL TOLERANCE	UNITS	mm	KLS P/N:
x.x ±0.30	SHEET SIZE	A4	L-KLS1-LAS004-74RTxx
x.xx ±0.20	Draw:	Daniel	2023-03-16
x.xxx ±0.10	Check:	Daniel	2023-03-16

