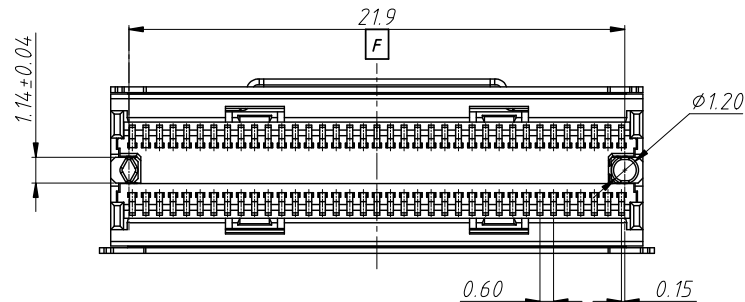
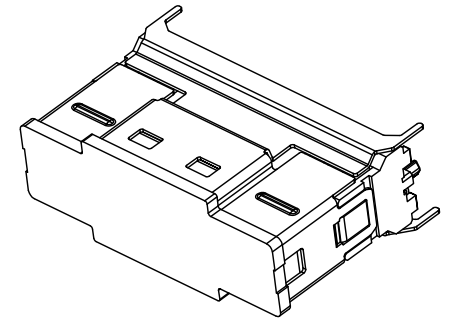
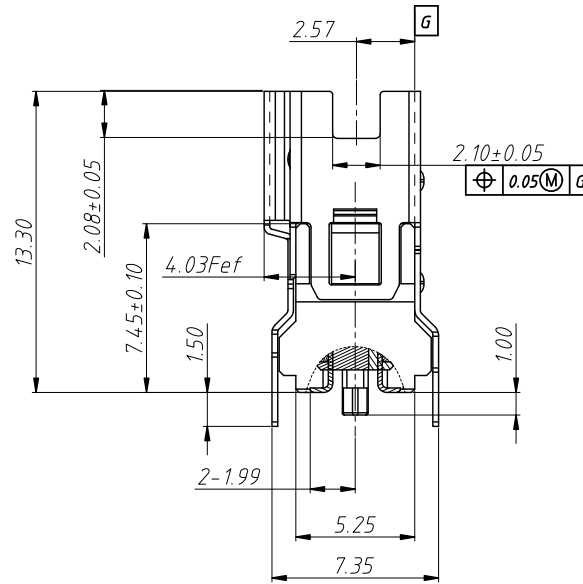
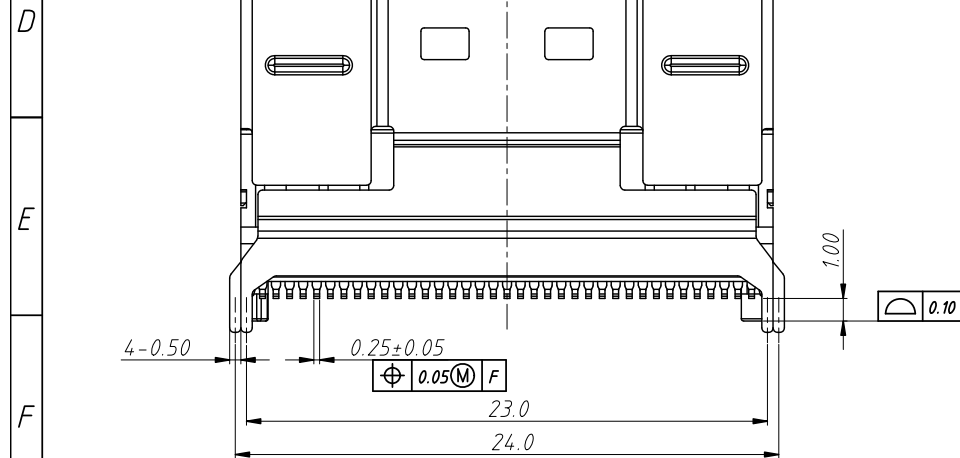
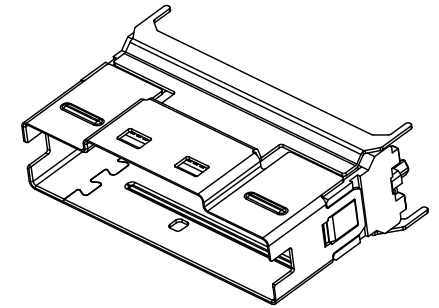
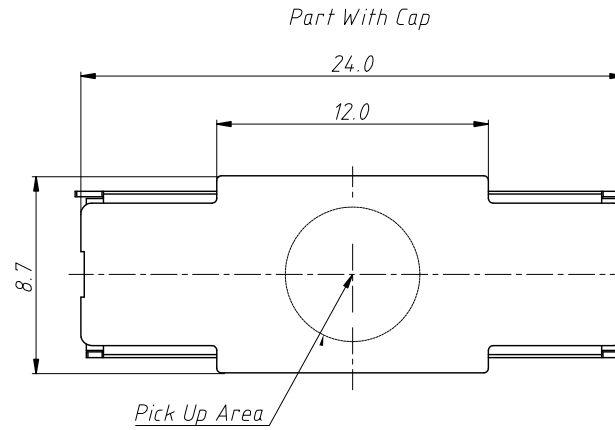
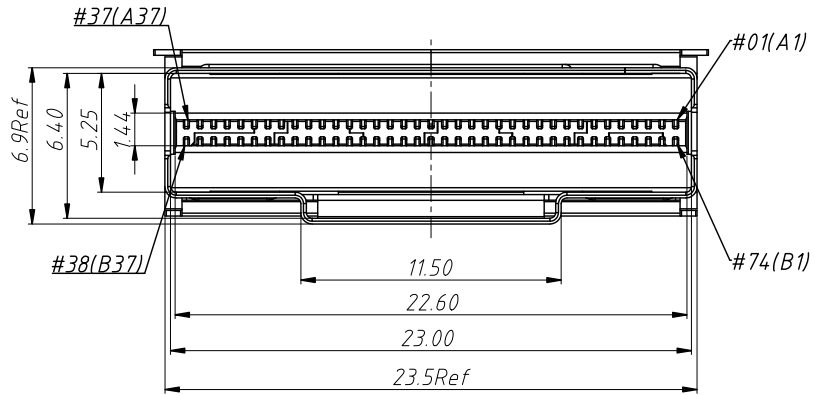


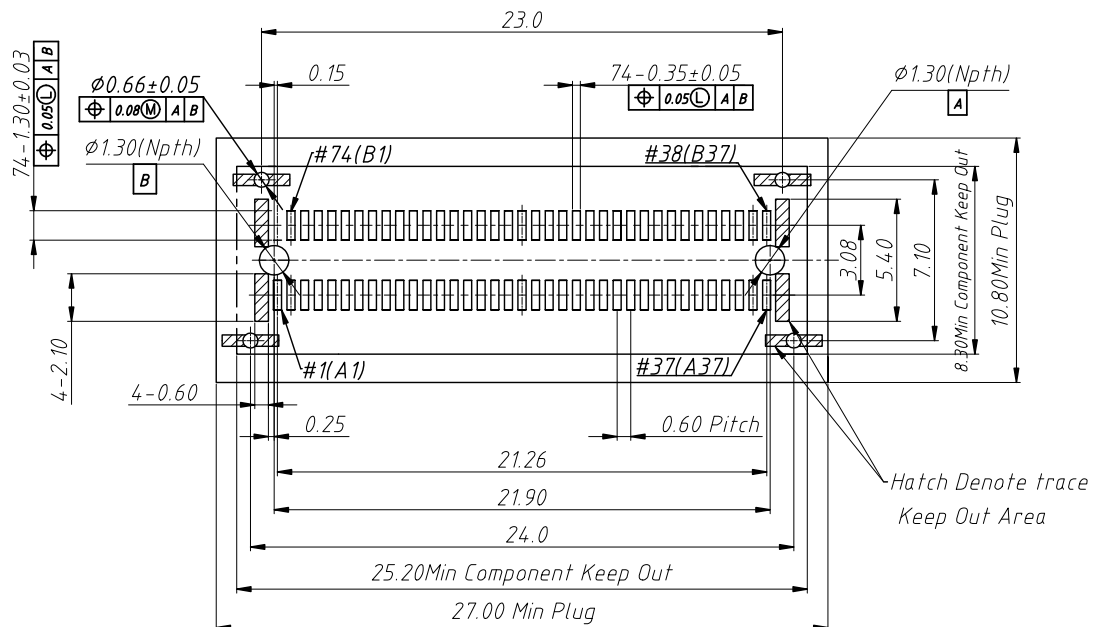
1 RoHS Compliance



ANGLE TOLERANCE	PROJECTION	Description:	SAS Connector
$\pm 3^\circ$			Vertical SMT 180° Female Housing
GENERAL TOLERANCE	UNITS	mm	KLS P/N: L-KLS1-LAS003-74 VTxx
x.x ± 0.30	SHEET SIZE	A4	1 of 2
x.xx ± 0.20	Draw:	Daniel	2023-03-16
x.xxx ± 0.10	Check:	Daniel	2023-03-16

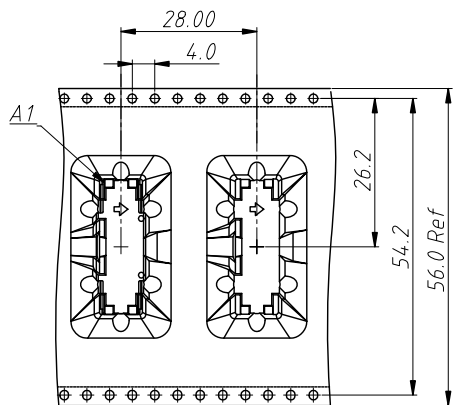


1 RoHS Compliance



Recommended PCB Layout
Tolerance: ±0.05mm

Packing Spec



Pull Out Direction
Packing Q'TY: 100Pcs/Reel, 300Pcs/Box

Specifications:

Material And Finish:

- Insulator: High Temperature Thermoplastic UL 94 V-0, Black.
- Contact: Copper Alloy.
- Gold Plated Over Nickel Plated On Mating Area.
- Matte Tin Plated Over Nickel On Solder Area.
- Latch: Stainless Steel.
- Nickel Plated Overall.

Electrical:

- Contact Resistance: 20mΩ Max.
- Insulation Resistance: 1000MΩ Min. At 100V DC For 60 S
- Withstanding Voltage: 300V Min. DC For 60 Seconds.
- Voltage Rating: 30V AC.
- Current Rating: 0.5A Per Pin.

Mechanical:

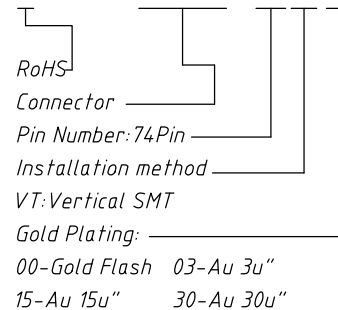
- Latch Retention Force: 50N Min.
- Mating Force: 4.0N Max.
- Unmating Force: 30N Max.
- Durability: 250 Cycles.

Environmental:

- Operating Temperature: -40°C ~ +85°C
- Temperature Rise: 30C Max

Order Information

L-KLS1-LAS003-74 VTxx



ANGLE TOLERANCE	PROJECTION	Description:	SAS Connector	
±3°			Vertical SMT 180° Female Housing	
GENERAL TOLERANCE	UNITS	mm	KLS P/N:	L-KLS1-LAS003-74 VTxx
x.x ±0.30	SHEET SIZE	A4	2 of 2	NingBo KLS ELECTRONIC CO.,L TD.
x.xx ±0.20	Draw:	Daniel	2023-03-16	
x.xxx ±0.10	Check:	Daniel	2023-03-16	