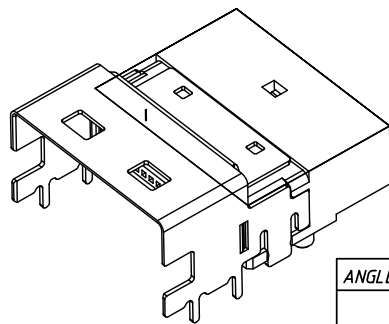
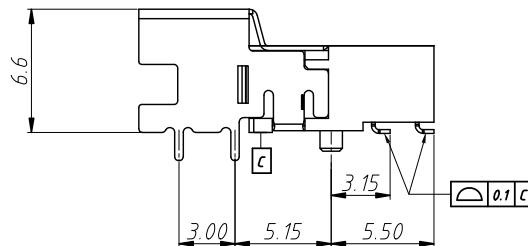
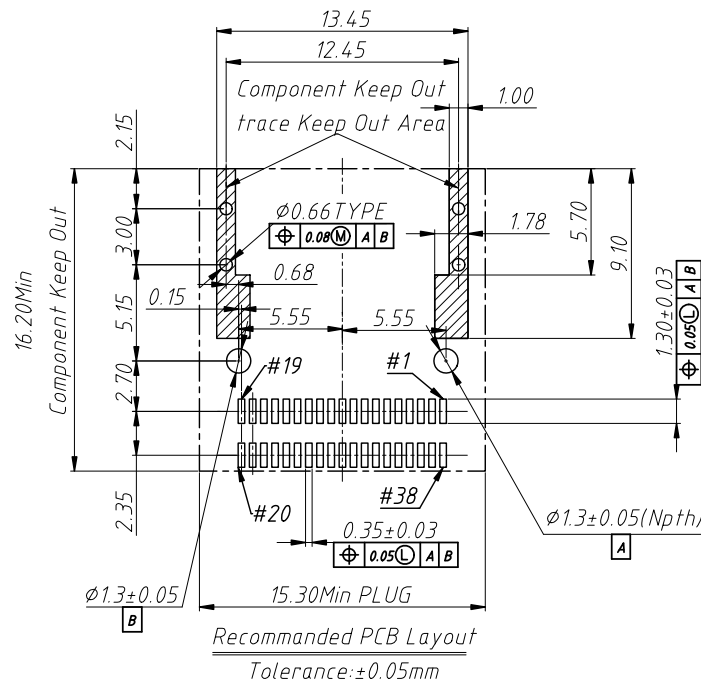
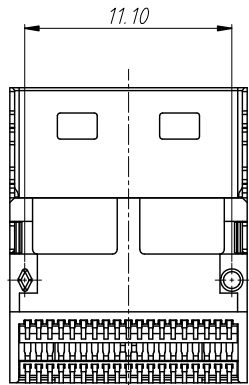
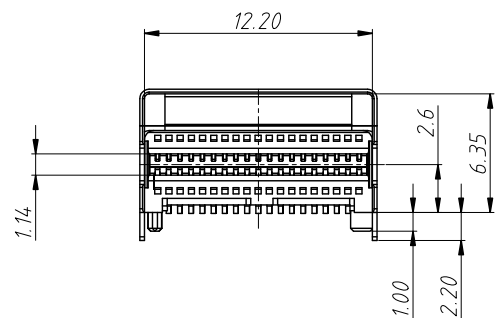
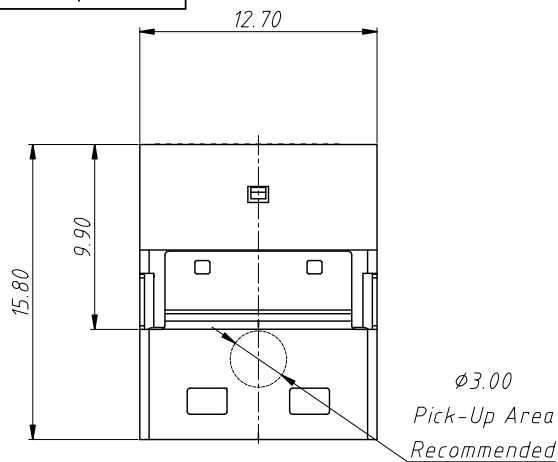


RoHS Compliance



Specifications:

Material And Finish:

Insulator: High Temperature Thermoplastic UL94V-0, Black.

Contact: Copper Alloy.

Gold Plated Over Nickel Plated On Mating Area.

Matte Tin Plated Over Nickel On Solder Area.

Latch: Stainless Steel.

Nickel Plated Overall.

Electrical:

Contact Resistance: 20m Ω Max.

Insulation Resistance: 1000M Ω Min. At 100V DC For 60 S

Withstanding Voltage: 300V Min. DC For 60 Seconds.

Voltage Rating: 30V AC.

Current Rating: 0.5A Per Pin.

Mechanical:

Latch Retention Force: 50N Min.

Mating Force: 40N Max.

Unmating Force: 30N Max.

Durability: 250 Cycles.

Environmental:

Operating Temperature: $-40^{\circ}\text{C} \sim +85^{\circ}\text{C}$

Temperature Rise: 30 $^{\circ}\text{C}$ Max

Order Information

L-KLS1-LAS002-38RTxx

RoHS

Connector

Pin Number: 38Pin

Installation method

RT: Horizontal SMT

Gold Plating:

00-Gold Flash 03-Au 3u"

15-Au 15u" 30-Au 30u"

ANGLE TOLERANCE	PROJECTION	Description:	SAS Connector
$\pm 3^{\circ}$			Horizontal SMT 90° Female Housing
GENERAL TOLERANCE	UNITS	mm	KLS P/N:
x.x ± 0.30	SHEET SIZE	A4	L-KLS1-LAS002-38RTxx
x.xx ± 0.20	Draw:	Daniel	2023-03-16
x.xxx ± 0.10	Check:	Daniel	2023-03-16



NingBo KLS ELECTRONIC CO.,L TD.