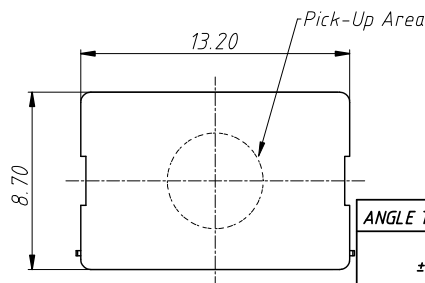
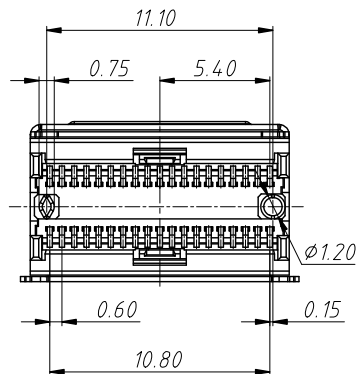
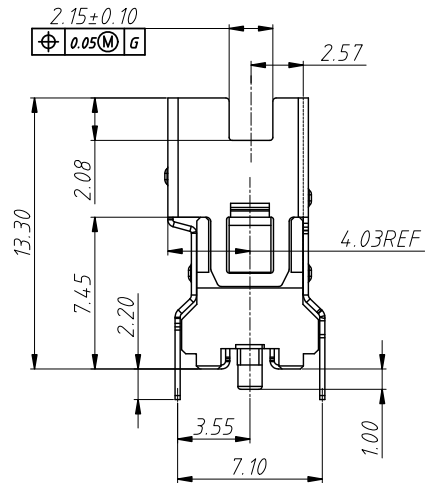
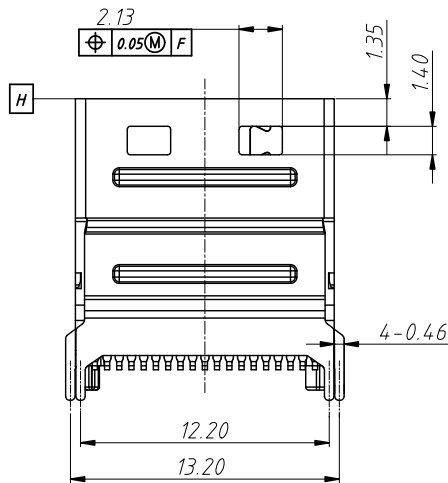
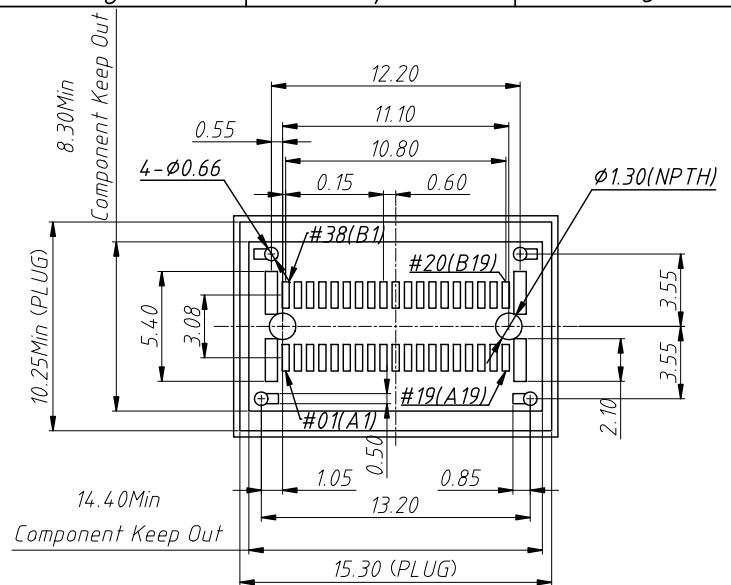
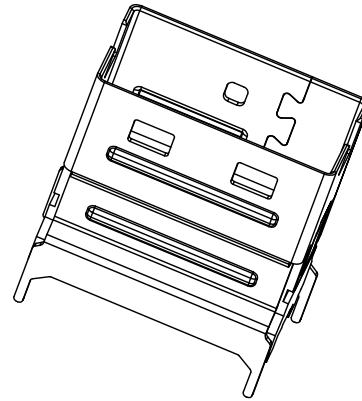
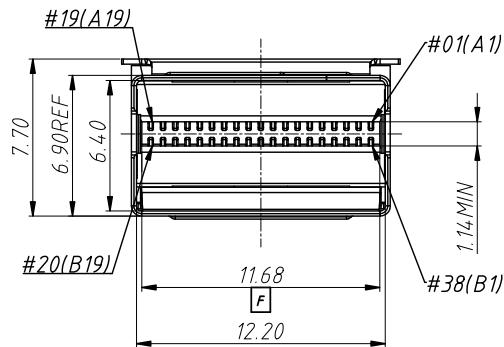


1 RoHS Compliance



Description:

Material:

Housing: Solder Reflow Process Compatible LCP  
Black, UL 94 V-0

Contacts: High Performance Copper Alloy Plating  
(See Order Information)

Latch: Stainless Steel, Solderable Nickel Over All

Order Information

L-KLS1-LAS001-38VTxx

RoHS

Connector

Pin Number: 38 Pin

Installation method

VT: Vertical SMT

Gold Plating:

00-Gold Flash 03-Au 3u"

15-Au 15u" 30-Au 30u"

ANGLE TOLERANCE	PROJECTION	Description:	SAS Connector 38 Pin
±3°			Vertical SMT 180° Female Housing
GENERAL TOLERANCE	UNITS	mm	KLS P/N: L-KLS1-LAS001-38VTxx
x.x ±0.30	SHEET SIZE	A4	XX
x.xx ±0.20	Draw:	Daniel	2023-03-15
x.xxx ±0.10	Check:	Daniel	2023-03-15



NingBo KLS ELECTRONIC CO.,L TD.