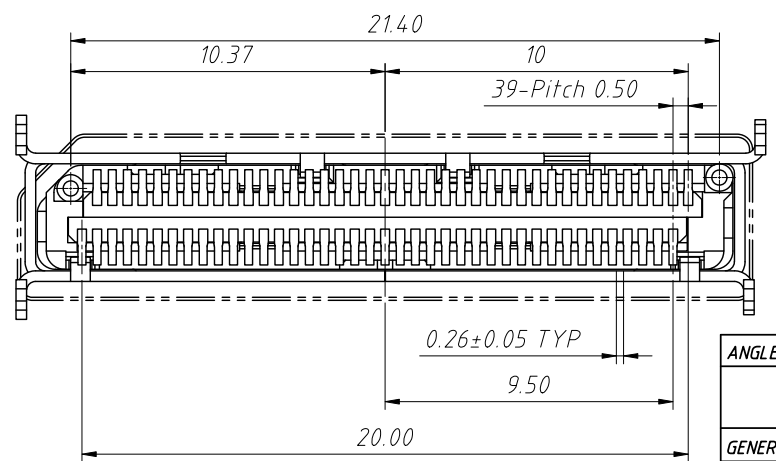
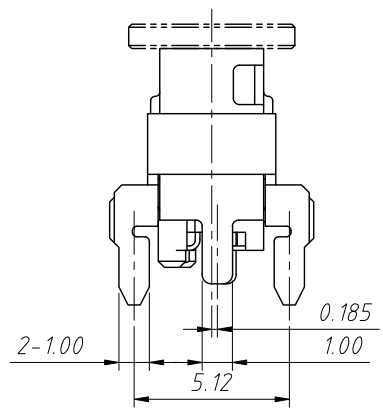
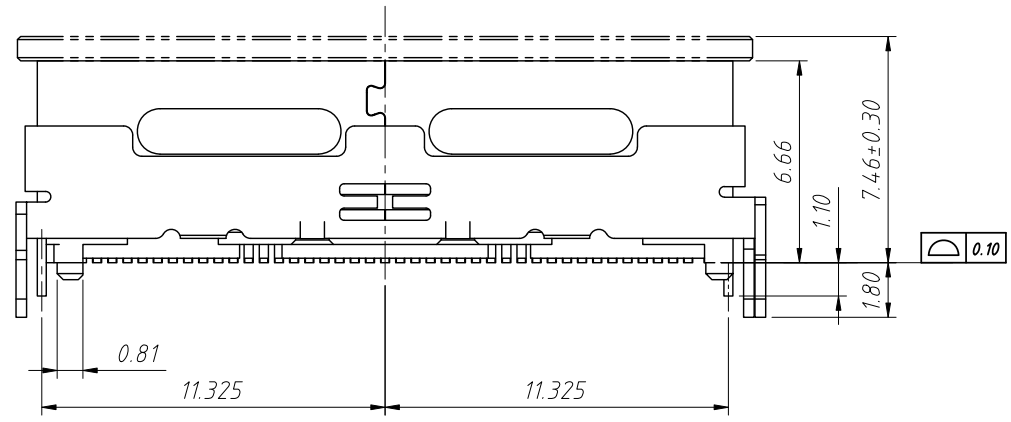
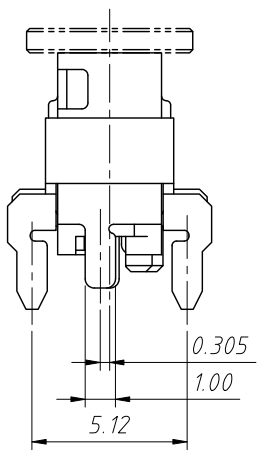
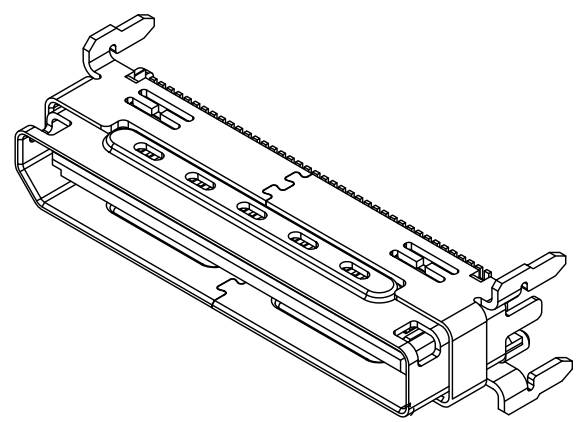
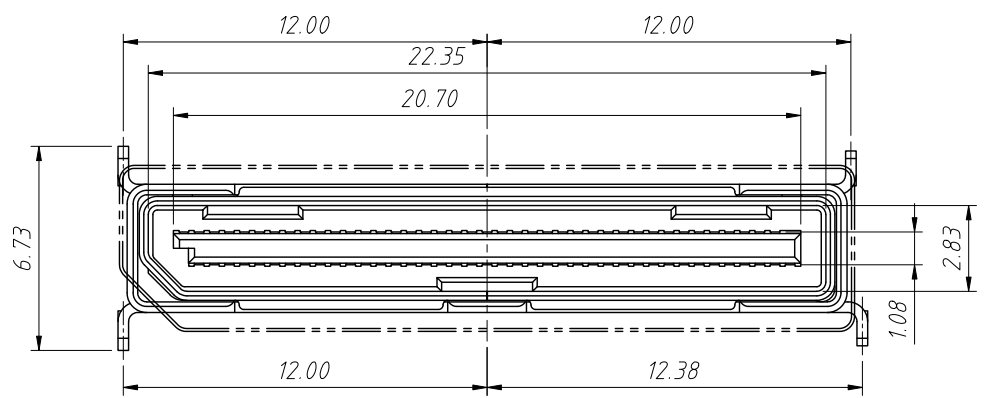


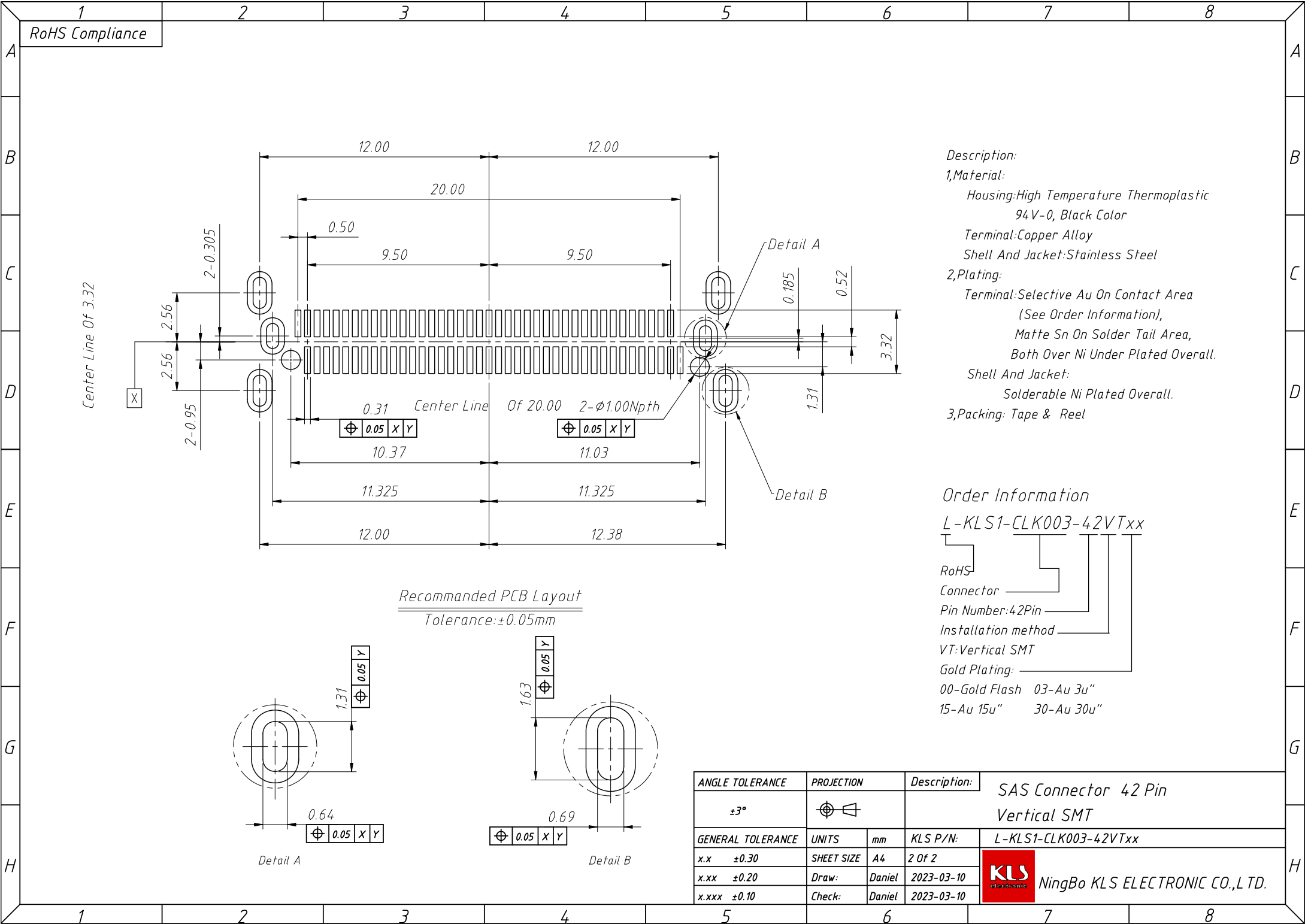
1
RoHS Compliance



ANGLE TOLERANCE	PROJECTION	Description:	SAS Connector 42 Pin Vertical SMT
±3°			
GENERAL TOLERANCE	UNITS	mm	KLS P/N: L-KLS1-CLK003-42VTxx
x.x ±0.30	SHEET SIZE	A4	1 Of 2
x.xx ±0.20	Draw:	Daniel	2023-03-10
x.xxx ±0.10	Check:	Daniel	2023-03-10

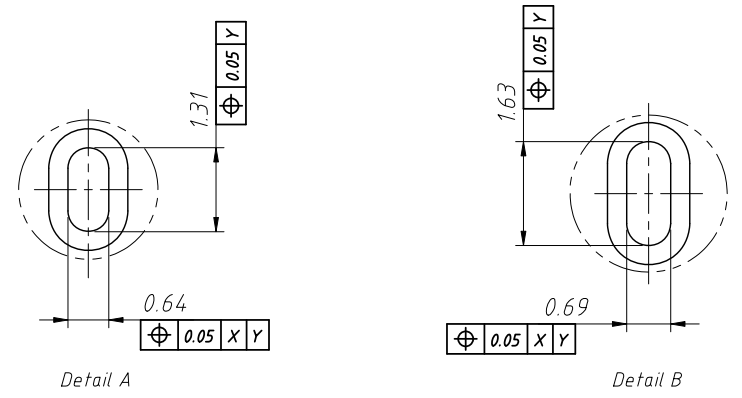


1
RoHS Compliance



Description:
 1,Material:
 Housing:High Temperature Thermoplastic
 94V-0, Black Color
 Terminal:Copper Alloy
 Shell And Jacket:Stainless Steel
 2,Plating:
 Terminal:Selective Au On Contact Area
 (See Order Information),
 Matte Sn On Solder Tail Area,
 Both Over Ni Under Plated Overall.
 Shell And Jacket:
 Solderable Ni Plated Overall.
 3,Packing: Tape & Reel

Recommended PCB Layout
 Tolerance:±0.05mm



Order Information
 L-KLS1-CLK003-42VTxx
 RoHS
 Connector
 Pin Number:42Pin
 Installation method
 VT:Vertical SMT
 Gold Plating:
 00-Gold Flash 03-Au 3u"
 15-Au 15u" 30-Au 30u"

ANGLE TOLERANCE	PROJECTION	Description:	SAS Connector 42 Pin Vertical SMT
±3°			
GENERAL TOLERANCE	UNITS	mm	KLS P/N: L-KLS1-CLK003-42VTxx
x.x ±0.30	SHEET SIZE	A4	2 Of 2
x.xx ±0.20	Draw:	Daniel	2023-03-10
x.xxx ±0.10	Check:	Daniel	2023-03-10

