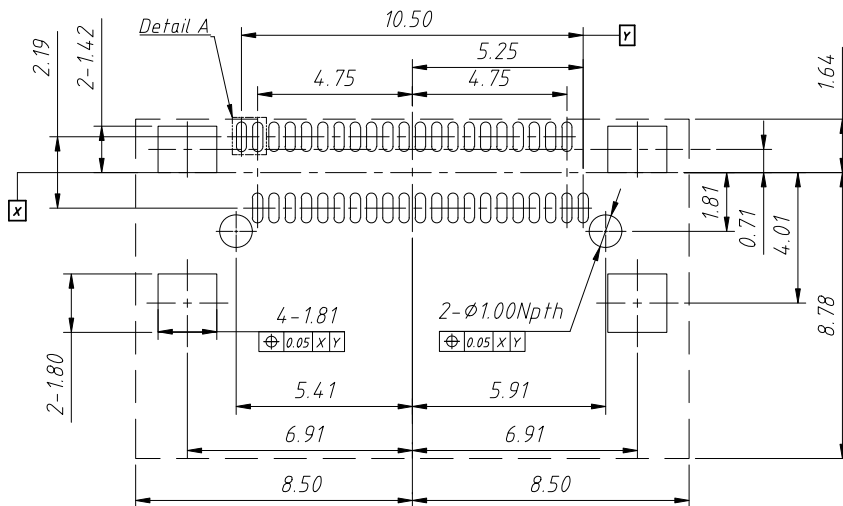
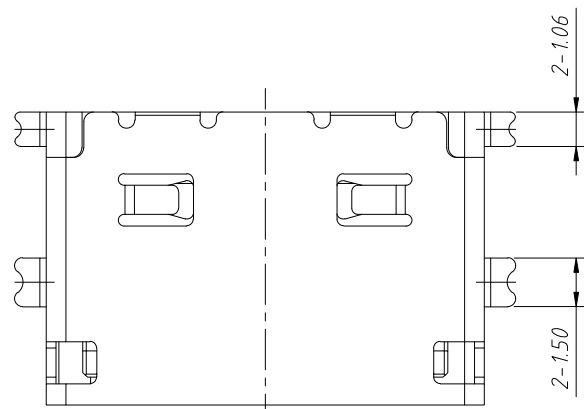
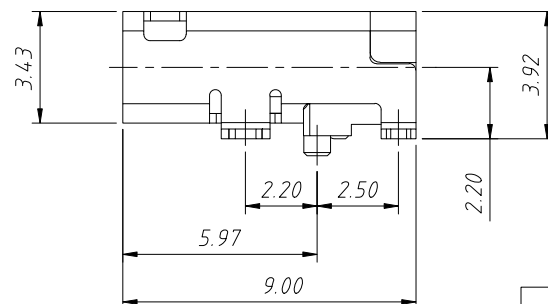
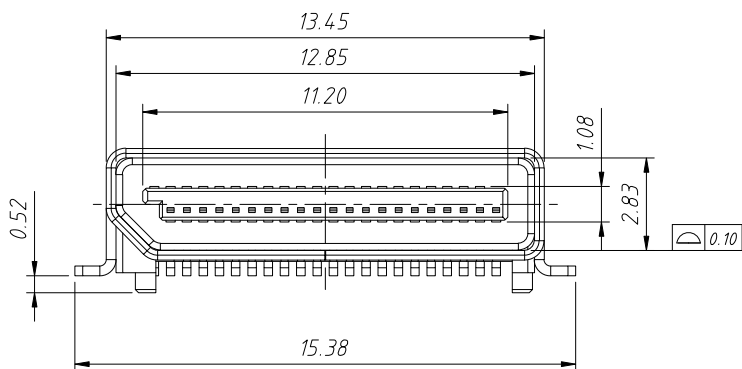


1 RoHS Compliance



Description:
 1,Material:
 Housing:High Temperature Thermoplastic
 94 V-0, Black Color
 Terminal:Copper Alloy
 Shell And Jacket:Stainless Steel
 2,Plating:
 Terminal:Selective Au On Contact Area
 (See Order Information),
 Matte Sn On Solder Tail Area,
 Both Over Ni Under Plated Overall.
 Shell And Jacket:
 Solderable Ni Plated Overall.
 3,Packing:Tape & Reel

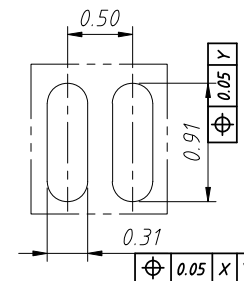
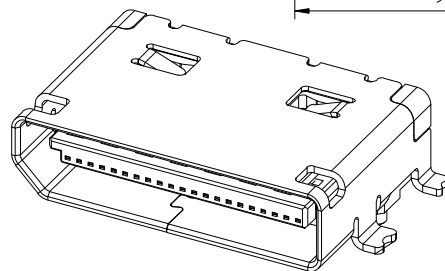
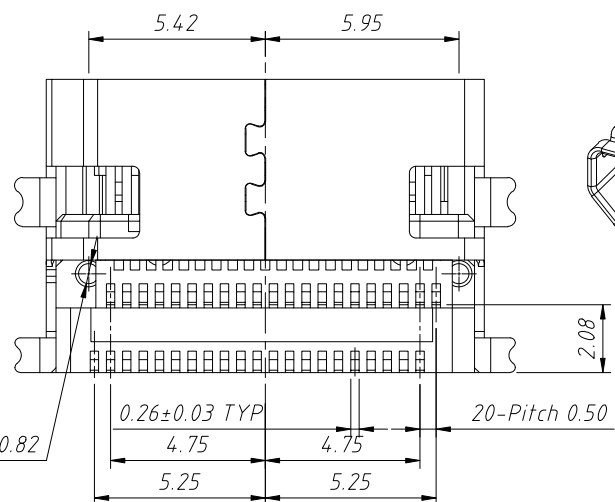
Recommended PCB Layout
 Tolerance:±0.05mm



Order Information

L-KLS1-CLK002-42RTxx

RoHS
 Connector
 Pin Number:42Pin
 Installation Method
 RT:Horizontal SMT
 Gold Plating:
 00-Gold Flash 03-Au 3u"
 15-Au 15u" 30-Au 30u"



Detail A

ANGLE TOLERANCE	PROJECTION	Description:	SAS Connector 42 Pin	
±3°			Horizontal SMT	
GENERAL TOLERANCE	UNITS	mm	KLS P/N:	L-KLS1-CLK002-42RTxx
x.x ±0.30	SHEET SIZE	A4	XX	
x.xx ±0.20	Draw:	Daniel	2023-03-10	
x.xxx ±0.10	Check:	Daniel	2023-03-10	

NingBo KLS ELECTRONIC CO.,L TD.