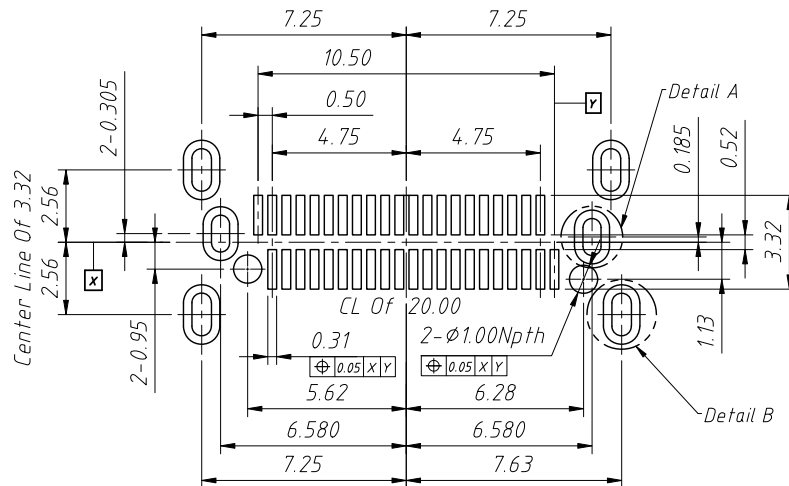
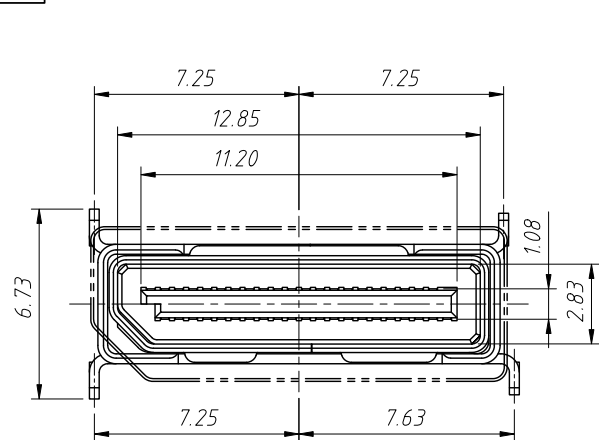
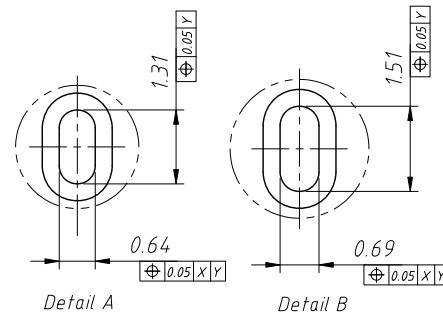
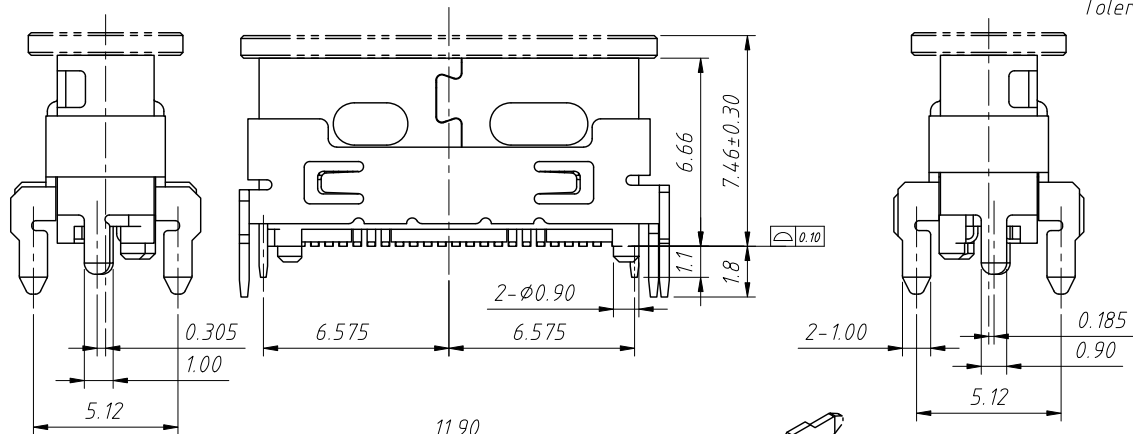


1 RoHS Compliance

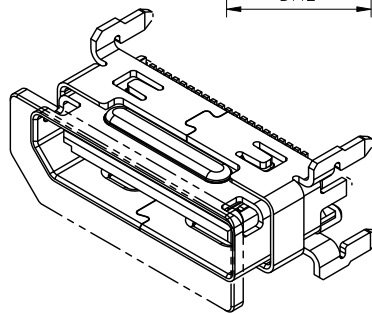
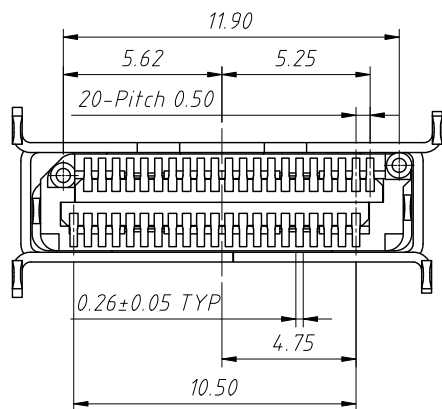


Recommended PCB Layout  
Tolerance: ±0.05mm

Description:  
1,Material:  
Housing:High Temperature Thermoplastic  
94V-0, Black Color  
Terminal:Copper Alloy  
Shell And Jacket:Stainless Steel  
2,Plating:  
Terminal:Selective Au On Contact Area  
(See Order Information),  
Matte Sn On Solder Tail Area,  
Both Over Ni Under Plated Overall.  
Shell And Jacket:  
Solderable Ni Plated Overall.  
3,Packing: Tape & Reel



Order Information  
L-KLS1-CLK001-42VTxx  
RoHS  
Connector  
Pin Number:42Pin  
Installation method  
VT:Vertical SMT  
Gold Plating:  
00-Gold Flash 03-Au 3u"  
15-Au 15u" 30-Au 30u"



ANGLE TOLERANCE	PROJECTION	Description:	SAS Connector 42 Pin Vertical SMT
±3°			
GENERAL TOLERANCE	UNITS	mm	KLS P/N: L-KLS1-CLK001-42VTxx
x.x ±0.30	SHEET SIZE	A4	XX
x.xx ±0.20	Draw:	Daniel	2023-03-09
x.xxx ±0.10	Check:	Daniel	2023-03-09

