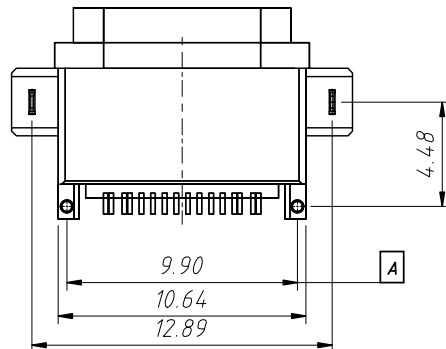
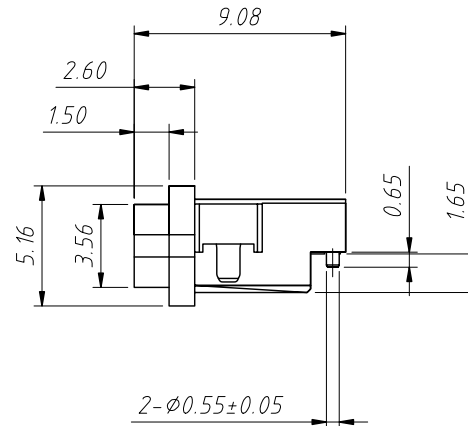
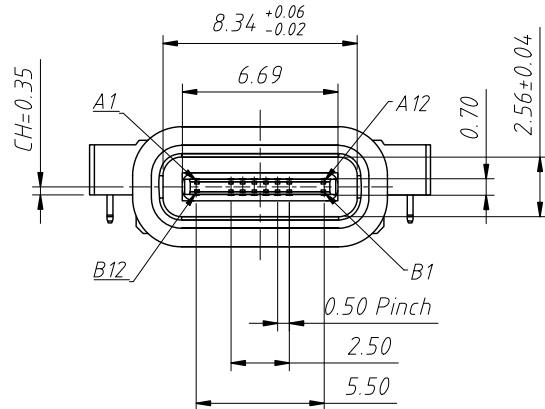
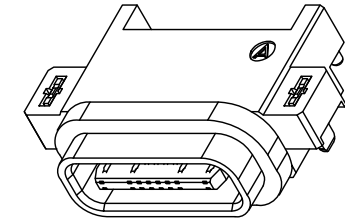
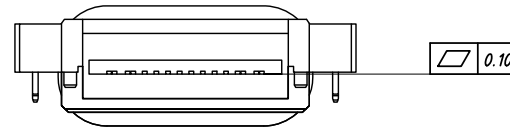
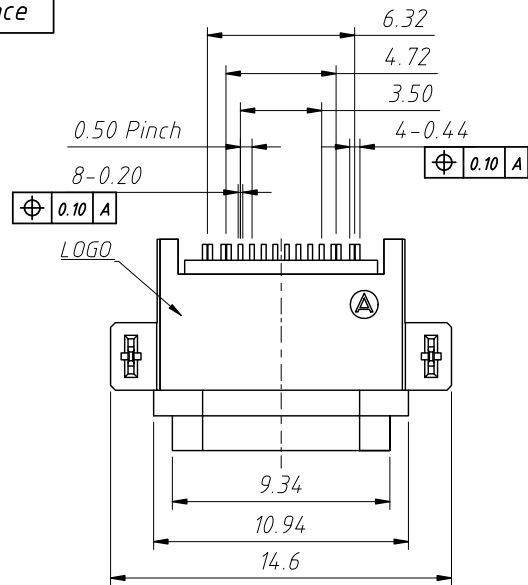


1 RoHS Compliance



Notes:

Material:

Housing:LCP (G.F30%) 1Pcs

Contact:Phosphor Bronze C5191R-Eh

AU/Ni Plating T=0.12m 5 Pcs

Shell:PA9T (G.F30%) 1Pcs

Electric:

Current Rating: 3.0A Max

Dielectric Withstand Voltage: 100V AC

Temperature Range:-30°C ~ +85°C

Contact Resistance: 40 mΩ Max

Insulation Resistance: 100 MΩ Min.

Insertion Force:5N ~ 20N

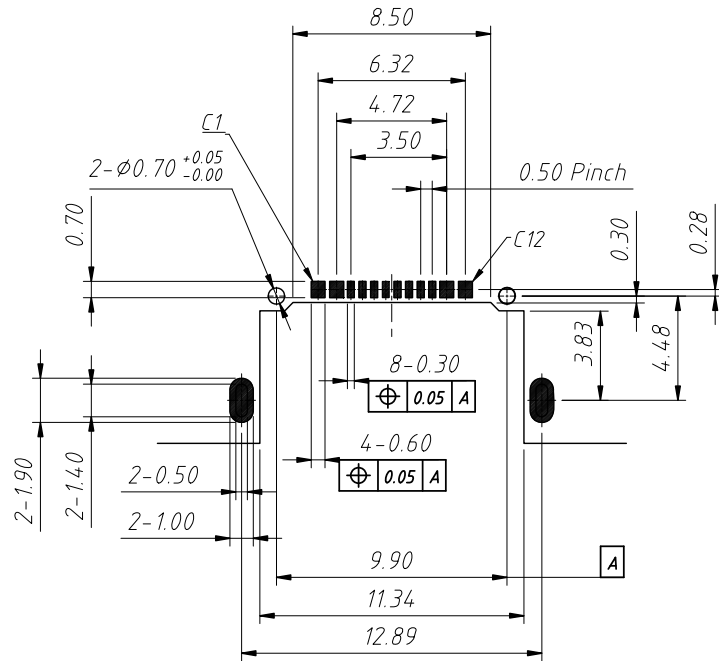
Unmating Force:8N ~ 20N

Durability:10,000 Cycles

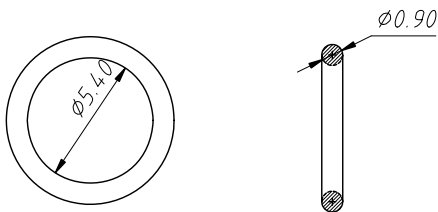
ANGLE TOLERANCE	PROJECTION	Description:	USB TYPE C3.1 Waterproof 16 Sink Plate 165 Housing DIP	
±3°				
GENERAL TOLERANCE	UNITS	mm	KLS P/N:	L-KLS1-PUB-002-R
x.x ±0.30	SHEET SIZE	A4	1 of 2	
x.xx ±0.20	Draw:	Daniel	2023-04-06	
x.xxx ±0.10	Check:	Daniel	2023-04-06	

NingBo KLS ELECTRONIC CO.,L TD.

1
RoHS Compliance

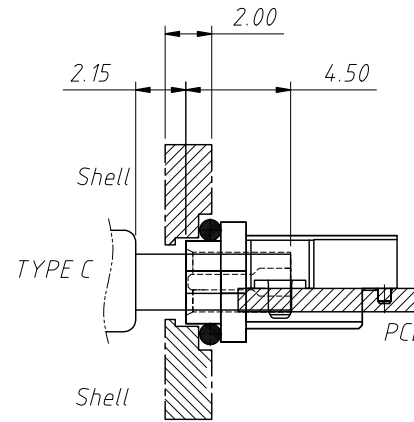


Recommended PCB Layout
Thickness T=1.0mm
Tolerance: ±0.05mm



Notes:

The Waterproof Ring Is A Silicone Ring With A Circular Cross-Section And A Diameter Of 0.9mm. The Compression Amount Of The Waterproof Ring Is Between 0.4 ~ 0.5mm, Which Has A Good Waterproof Effect.



Assembly Diagram

Inter Face(Front View)

A1	A2	A3	A4	A5	A6	A7	A8	A9	A10	A11	A12
GND			VBUS	CC1	DP1	DN1	SBU1	VBUS			GND
GND			VBUS	SBU2	DN2	DP2	CC2	VBUS			GND
B12	B11	B10	B9	B8	B7	B6	B5	B4	B3	B2	B1

Pin Assignment

PIN NO.	A1&B12	A4&B9	B8	A5	B7	A6	A7	B6	A8	B5	A9&B4	A12&B1
Singal Name	GND	VBUS	SBU2	CC1	DN2	DP1	DN1	DP2	SBU1	CC2	VBUS	GND
PCB PAD NO.	C1	C2	C3	C4	C5	C6	C7	C8	C9	C10	C11	C12

ANGLE TOLERANCE	PROJECTION	Description:	USB TYPE C3.1 Waterproof 16 Sink Plate 165 Housing DIP	
±3°				
GENERAL TOLERANCE	UNITS	mm	KLS P/N:	L-KLS1-PUB-002-R
x.x ±0.30	SHEET SIZE	A4	2 of 2	NingBo KLS ELECTRONIC CO.,L TD.
x.xx ±0.20	Draw:	Daniel	2023-04-06	
x.xxx ±0.10	Check:	Daniel	2023-04-06	