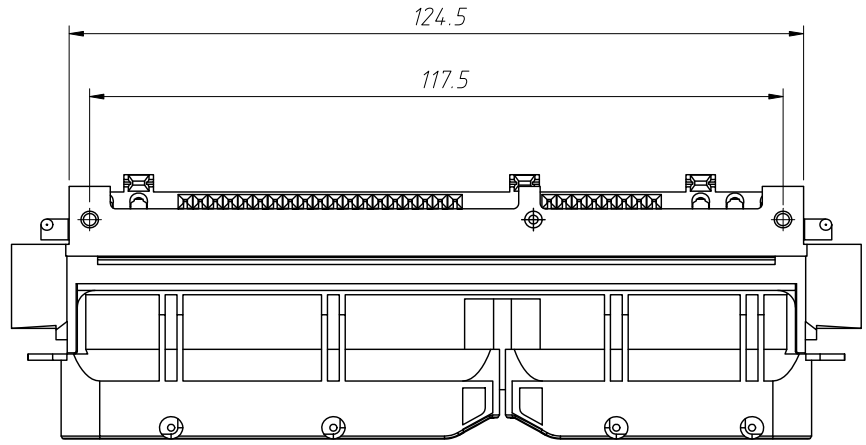


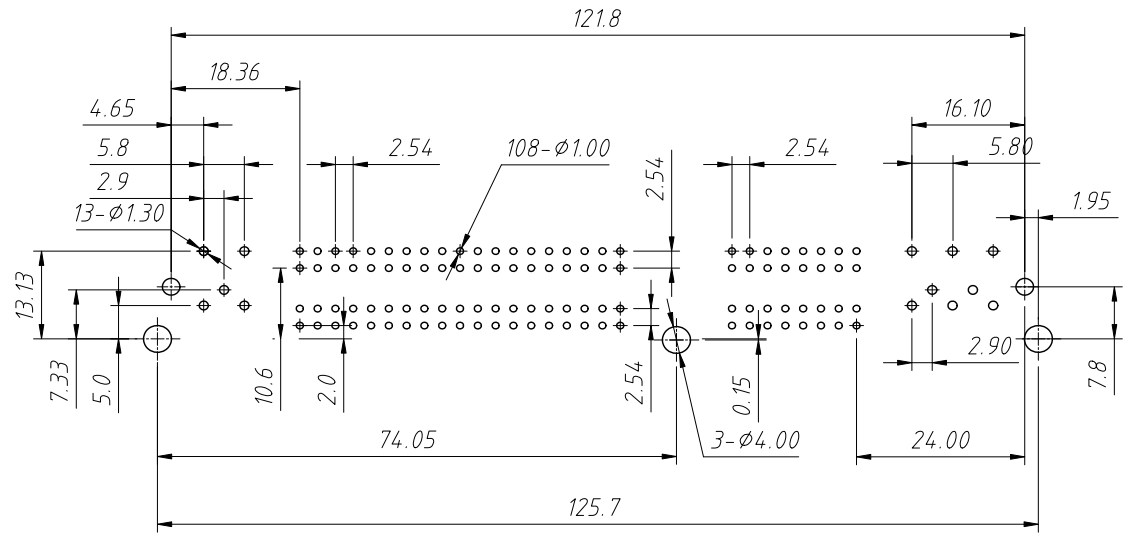
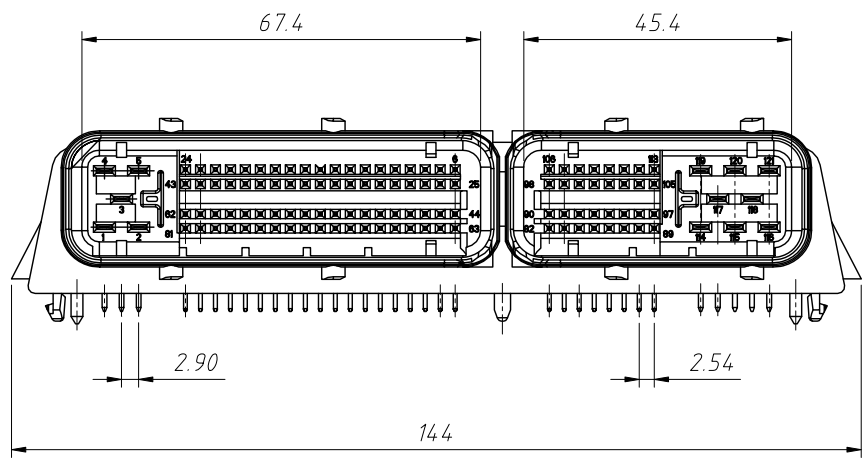
1
RoHS Compliance



Specification:
Material:
Housing: PA66+45%GF, Black
Terminal: Copper Alloy, TIN Plated

Electrical:
Rated Current:
0.63mm Terminal: 2.5A Max.
2.8mm Terminal: 5A Max.
Rated Volts: 500V
Contact Resistance:
0.63mm Terminals: 20mΩ Max.
2.8mm Terminals: 10mΩ Max.
Dielectric Withstanding Voltage:
1000V AC For 1 Minute
Insulation Resistance: 100MΩ Min.
Temperature Range: -40°C ~ +120°C

Mechanical:
Contact Retention to Housing:
0.63mm Terminal: 40N Min.
2.8mm Terminal: 80N Min.
Durability: 20 Mating Cycles



Recommended PCB Layout

ANGLE TOLERANCE	PROJECTION	Description:	ECU Connector 121PIN	
±3°				
GENERAL TOLERANCE	UNITS	mm	KLS P/N:	L-KLS13-ECU01-121A-R
x.x ±0.30	SHEET SIZE	A4	XX	
x.xx ±0.20	Draw:	Daniel	2023-04-07	NingBo KLS ELECTRONIC CO.,L TD.
x.xxx ±0.10	Check:	Daniel	2023-04-07	