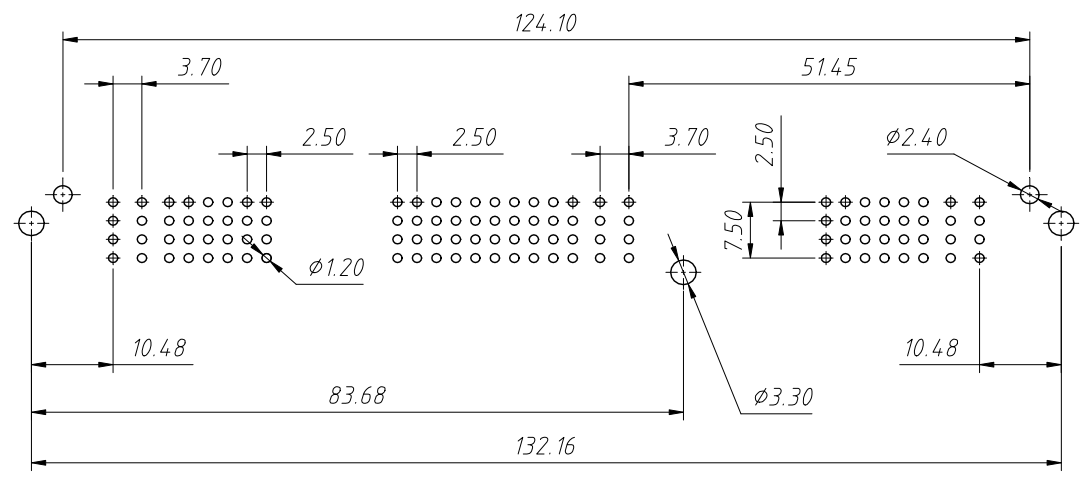
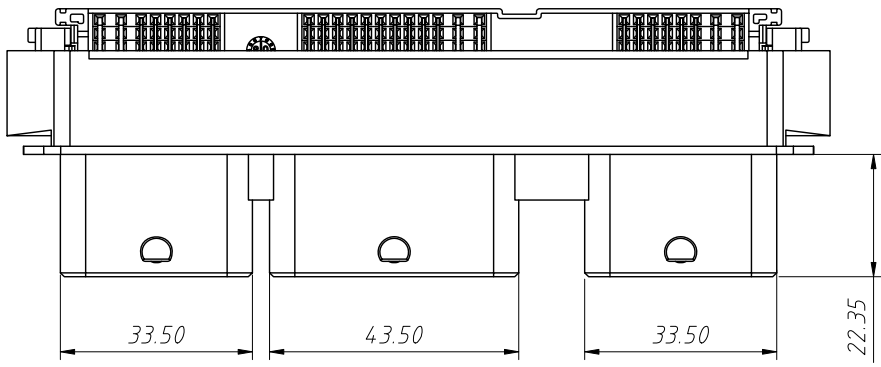
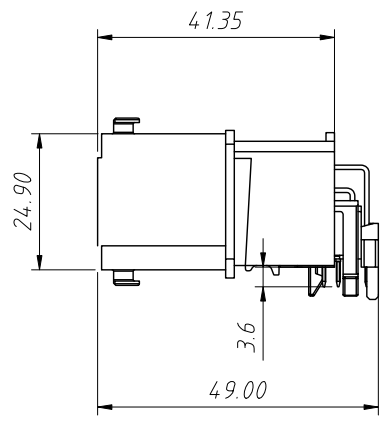
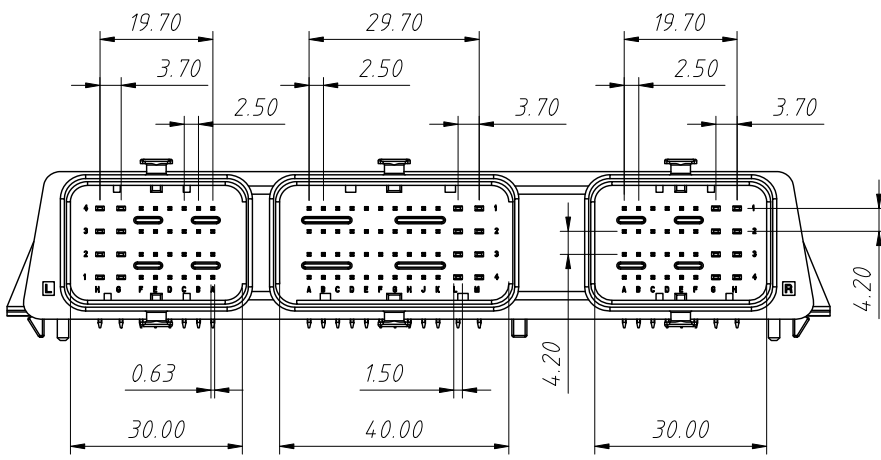


1
RoHS Compliance



Recommended PCB Layout



Specification:

Material:

Housing: PA66+45%GF, Black

Terminal: Copper Alloy, TIN Plated

Mechanical:

Contact Retention to Housing:

0.63mm Terminal: 40N Min.

2.8mm Terminal: 80N Min.

Durability: 20 Mating Cycles

Electrical:

Rated Current:

0.63mm Terminal: 2.5A Max.

2.8mm Terminal: 5A Max.

Rated Volts: 500V

Contact Resistance:

0.63mm Terminals: 20mΩ Max.

2.8mm Terminals: 10mΩ Max.

Dielectric Withstanding Voltage:

1000V AC For 1 Minute

Insulation Resistance: 100MΩ Min.

Temperature Range: -40°C ~ +120°C

ANGLE TOLERANCE	PROJECTION	Description:	ECU Connector 112PIN	
±3°				
GENERAL TOLERANCE	UNITS	mm	KLS P/N:	L-KLS13-ECU01-112A-R
x.x ±0.30	SHEET SIZE	A4	XX	
x.xx ±0.20	Draw:	Daniel	2023-04-07	
x.xxx ±0.10	Check:	Daniel	2023-04-07	
			NingBo KLS ELECTRONIC CO.,L TD.	