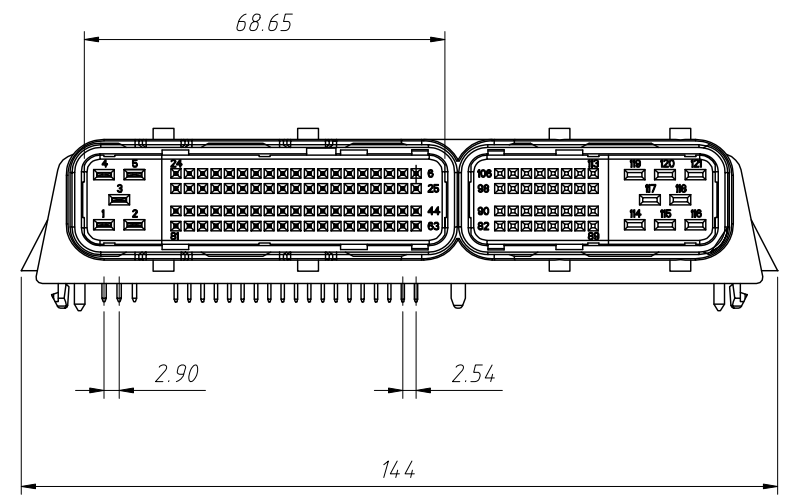
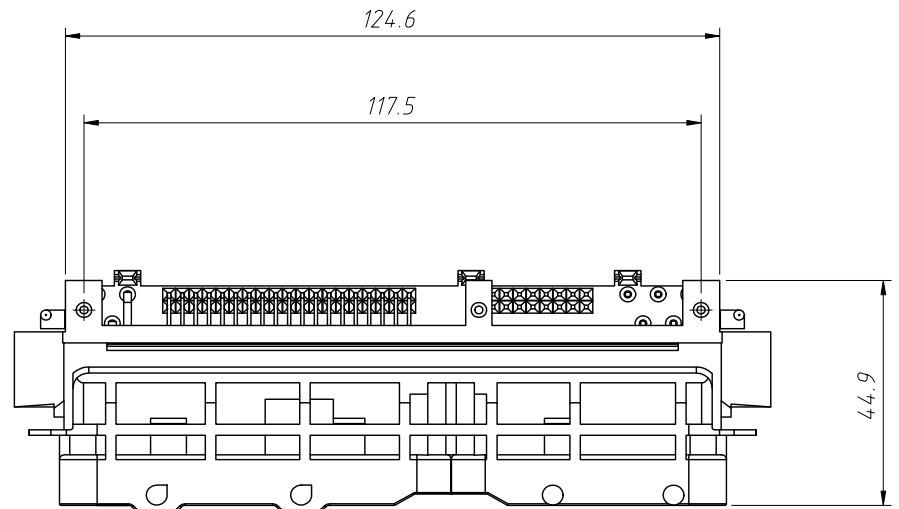
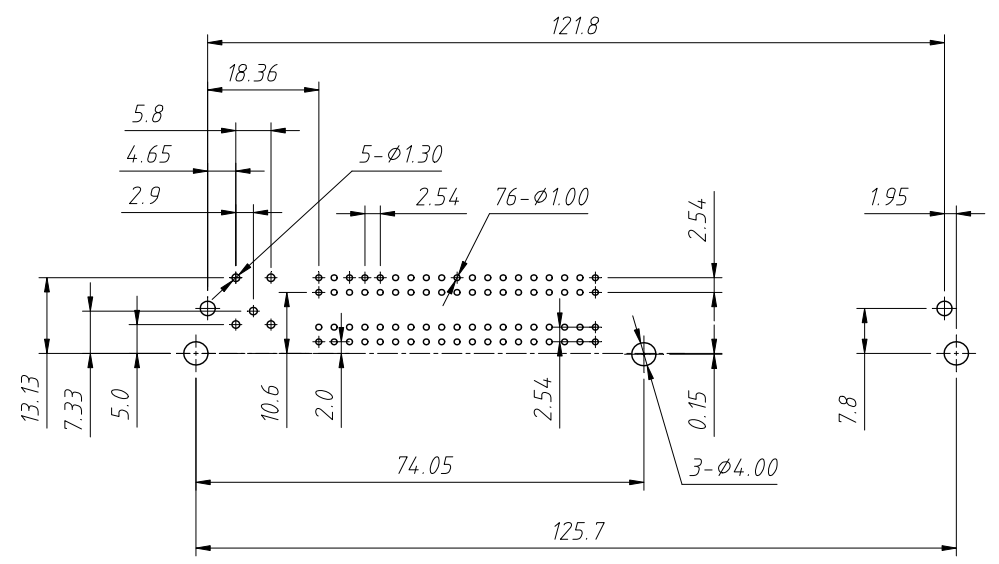


1  
RoHS Compliance



Specification:  
 Material:  
 Housing: PA66+45%GF, Black  
 Terminal: Copper Alloy, TIN Plated  
 Mechanical:  
 Contact Retention to Housing:  
 0.63mm Terminal: 40N Min.  
 2.8mm Terminal: 80N Min.  
 Durability: 20 Mating Cycles

Electrical:  
 Rated Current:  
 0.63mm Terminal: 2.5A Max.  
 2.8mm Terminal: 5A Max.  
 Rated Volts: 500V  
 Contact Resistance:  
 0.63mm Terminals: 20mΩ Max.  
 2.8mm Terminals: 10mΩ Max.  
 Dielectric Withstanding Voltage:  
 1000V AC For 1 Minute  
 Insulation Resistance: 100MΩ Min.  
 Temperature Range: -40°C ~ +120°C



Recommended PCB Layout

ANGLE TOLERANCE	PROJECTION	Description:		
±3°		ECU Connector 81Pin		
GENERAL TOLERANCE	UNITS	mm	KLS P/N:	L-KLS13-ECU01-81B-R
x.x ±0.30	SHEET SIZE	A4	XX	NingBo KLS ELECTRONIC CO.,L TD.
x.xx ±0.20	Draw:	Daniel	2023-04-04	
x.xxx ±0.10	Check:	Daniel	2023-04-04	