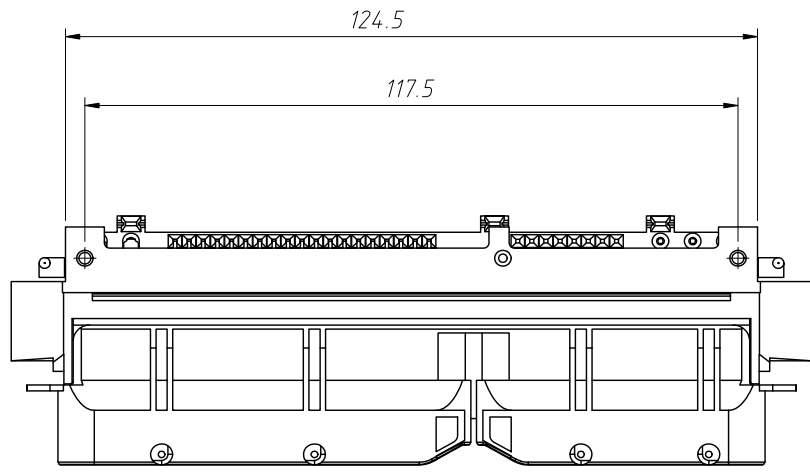


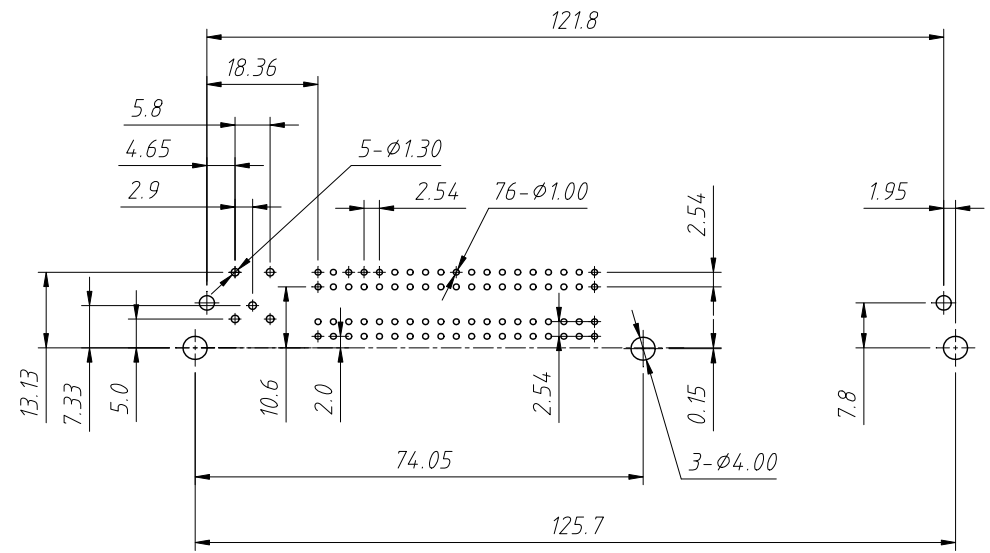
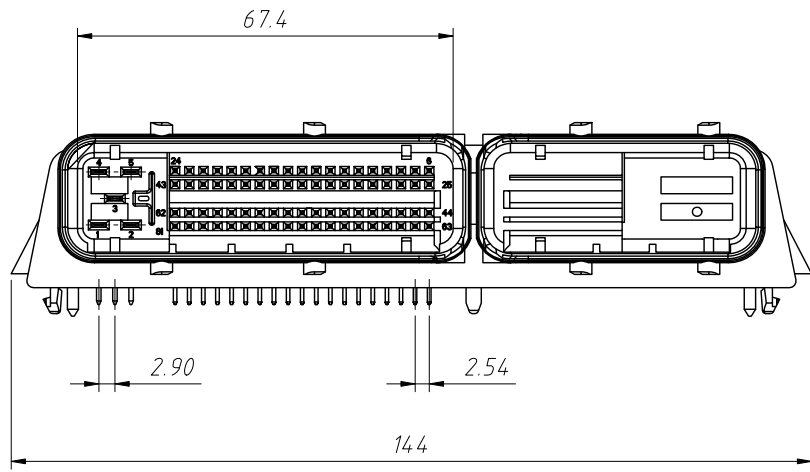
1  
RoHS Compliance



Specification:  
Material:  
Housing:PA66+45%GF,Black  
Terminal:Copper Alloy,TIN Plated

Electrical:  
Rated Current:  
0.63mm Terminal:2.5A Max.  
2.8mm Terminal:5A Max.  
Rated Volts: 500V  
Contact Resistance:  
0.63mm Terminals:20mΩ Max.  
2.8mm Terminals:10mΩ Max.  
Dielectric Withstanding Voltage:  
1000V AC For 1 Minute  
Insulation Resistance:100MΩ Min.  
Temperature Range:-40°C ~ +120°C

Mechanical:  
Contact Retention to Housing:  
0.63mm Terminal:40N Min.  
2.8mm Terminal:80N Min.  
Durability:20 Mating Cycles



Recommended PCB Layout

ANGLE TOLERANCE	PROJECTION	Description:		
±3°		ECU Connector 81Pin		
GENERAL TOLERANCE	UNITS	mm	KLS P/N:	L-KLS13-ECU01-81A-R
x.x ±0.30	SHEET SIZE	A4	XX	NingBo KLS ELECTRONIC CO.,L TD.
x.xx ±0.20	Draw:	Daniel	2023-04-04	
x.xxx ±0.10	Check:	Daniel	2023-04-04	