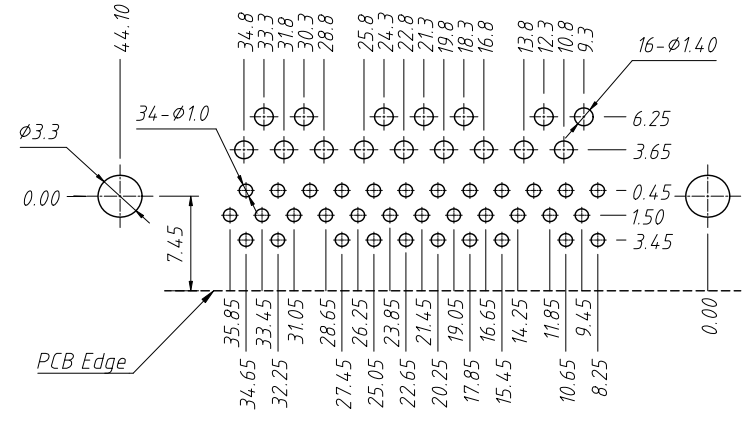
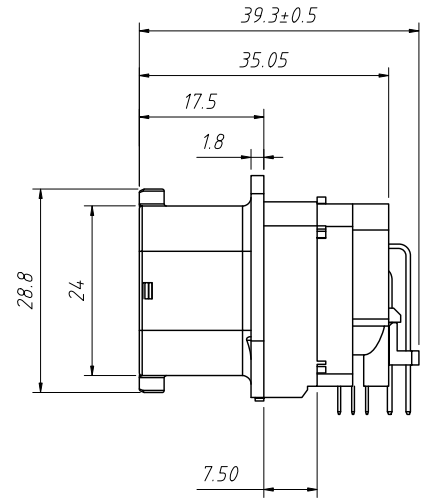
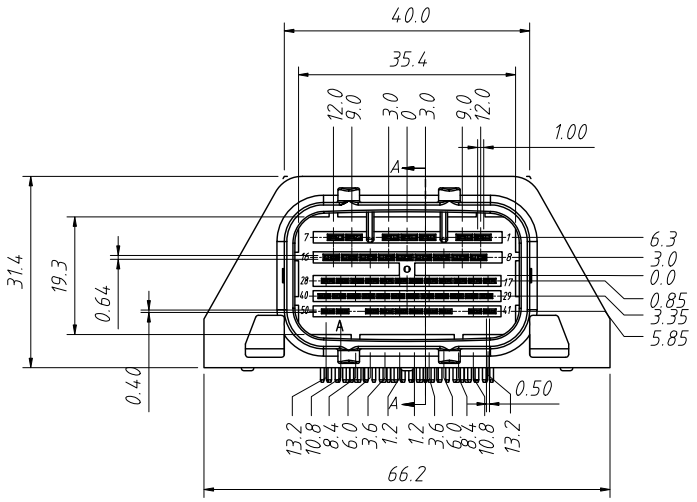
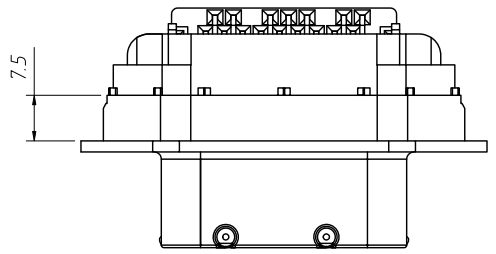


1
RoHS Compliance



Recommended PCB Layout

Specification:
Material:
Housing:PBT+30%GF,Black
Terminal:Copper Alloy,TIN plated

Mechanical:
Contact Retention to Housing:
0.4mm terminal:15N Min.
0.64mm terminal:20N Min.
Durability:50 Mating Cycles

Electrical
Rated Current:
0.4mm Terminal:1A Max.
0.64mm Terminal:3A Max.
Rated Volts: 500V
Contact Resistance:
0.4mm Terminals:20mΩ Max.
0.64mm Terminals:10mΩ Max.
Dielectric Withstanding Voltage:
1000V AC For 1 Minute
Insulation Resistance:100MΩ Min.
Temperature Range:-40°C ~ +120°C

ANGLE TOLERANCE	PROJECTION	Description:		
±3°		ECU Connector 50Pin		
GENERAL TOLERANCE	UNITS	mm	KLS P/N:	L-KLS13-ECU01-50-R
x.x ±0.30	SHEET SIZE	A4	XX	NingBo KLS ELECTRONIC CO.,L TD.
x.xx ±0.20	Draw:	Daniel	2023-04-04	
x.xxx ±0.10	Check:	Daniel	2023-04-04	