

1
RoHS Compliance

2

3

4

5

6

7

8

A

A

B

B

C

C

D

D

E

E

F

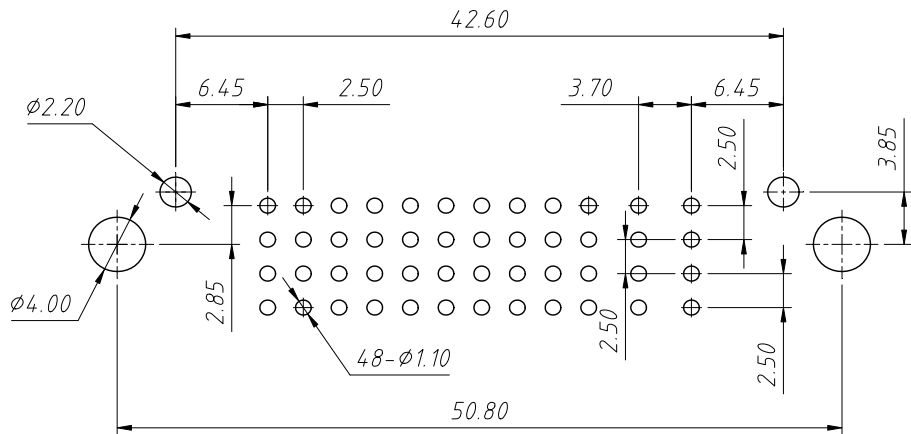
F

G

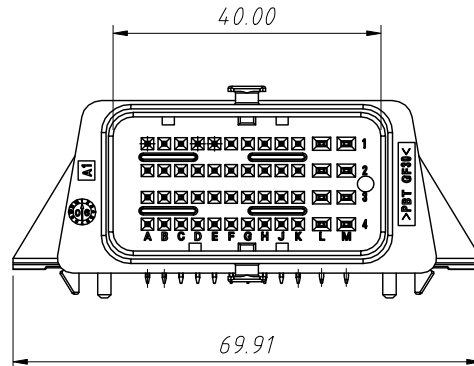
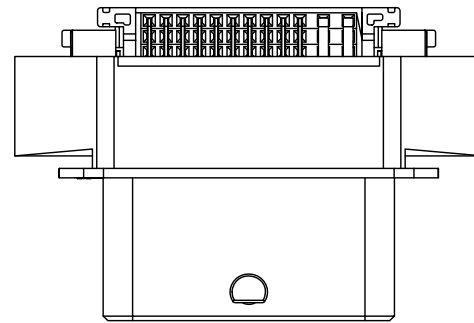
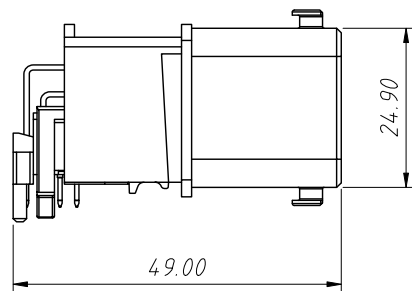
G

H

H



Recommended PCB Layout



Specification:

Material:

Housing:PBT+30%GF,Black

Terminal:Copper Alloy,TIN Plated

Mechanical:

Contact Retention to Housing:

0.63mm Terminal:40N Min.

1.5mm Terminal:80N Min.

Durability:20 Mating Cycles

Electrical:

Rated Current:

0.63mm Terminal:2.5A Max.

1.5mm Terminal:5A Max.

Rated Volts: 500V

Contact Resistance:

0.63mm Terminals:20mΩ Max.

1.5mm Terminals:10mΩ Max.

Dielectric Withstanding Voltage:

1000V AC For 1 Minute

Insulation Resistance:100MΩ Min.

Temperature Range:-40°C ~ +120°C

ANGLE TOLERANCE	PROJECTION	Description:		
±3°				ECU Connector 48Pin
GENERAL TOLERANCE	UNITS	mm	KLS P/N:	L-KLS13-ECU01-48A-R
x.x ±0.30	SHEET SIZE	A4	XX	NingBo KLS ELECTRONIC CO.,L TD.
x.xx ±0.20	Draw:	Daniel	2023-03-27	
x.xxx ±0.10	Check:	Daniel	2023-03-27	

1

2

3

4

5

6

7

8