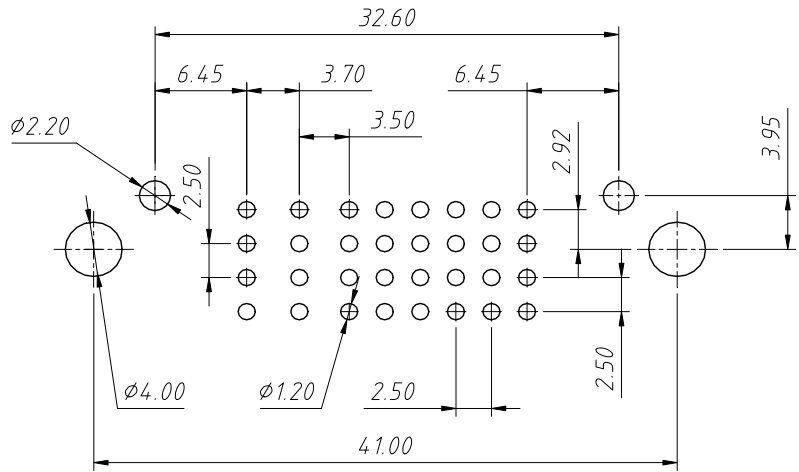
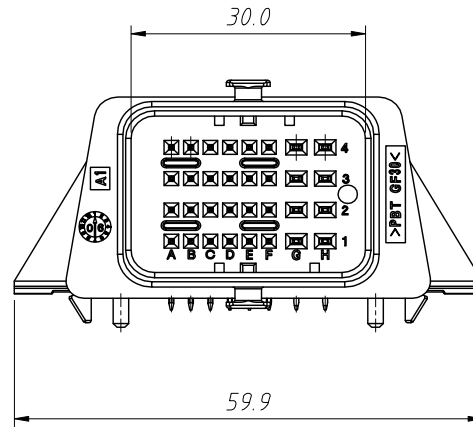
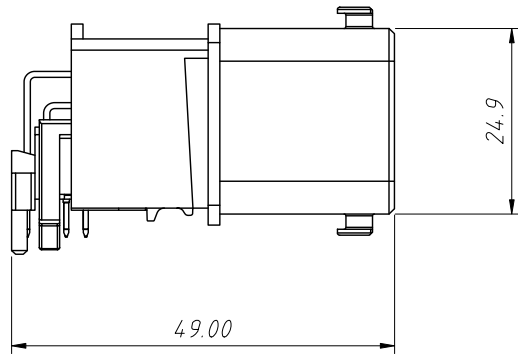
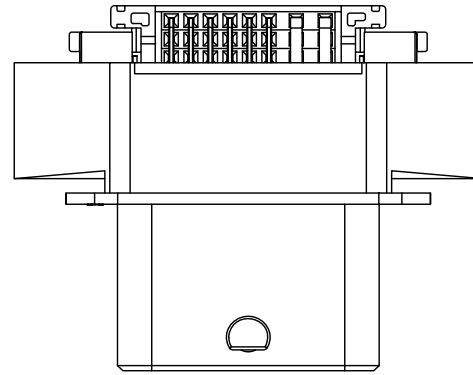


1
RoHS Compliance



Recommended PCB Layout



Specification:

Material:

Housing: PBT+30%GF, Black
Terminal: Copper Alloy, TIN Plated

Mechanical:

Contact Retention to Housing:
0.63mm Terminal: 40N Min.
1.5mm Terminal: 80N Min.
Durability: 20 Mating Cycles

Electrical:

Rated Current:
0.63mm Terminal: 2.5A Max.
1.5mm Terminal: 5A Max.
Rated Volts: 500V
Contact Resistance:
0.63mm Terminals: 20mΩ Max.
1.5mm Terminals: 10mΩ Max.
Dielectric Withstanding Voltage:
1000V AC For 1 Minute
Insulation Resistance: 100MΩ Min.
Temperature Range: -40°C ~ +120°C

ANGLE TOLERANCE	PROJECTION	Description:		
±3°		ECU Connector 32Pin		
GENERAL TOLERANCE	UNITS	mm	KLS P/N:	L-KLS13-ECU01-32-R
x.x ±0.30	SHEET SIZE	A4	XX	
x.xx ±0.20	Draw:	Daniel	2023-03-27	
x.xxx ±0.10	Check:	Daniel	2023-03-27	

NingBo KLS ELECTRONIC CO.,L TD.