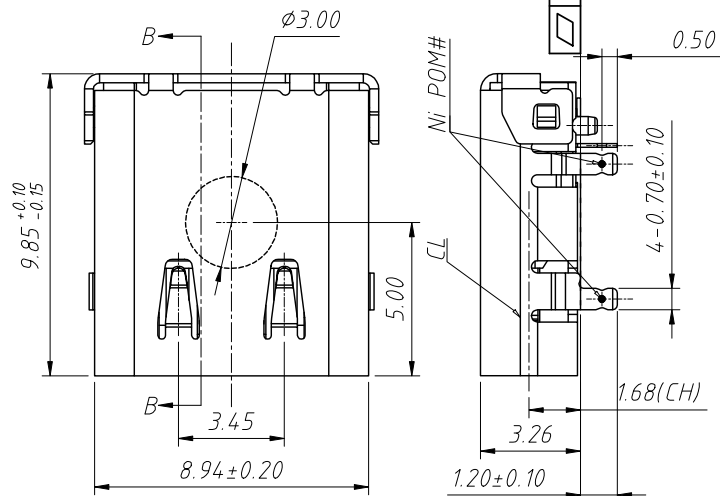
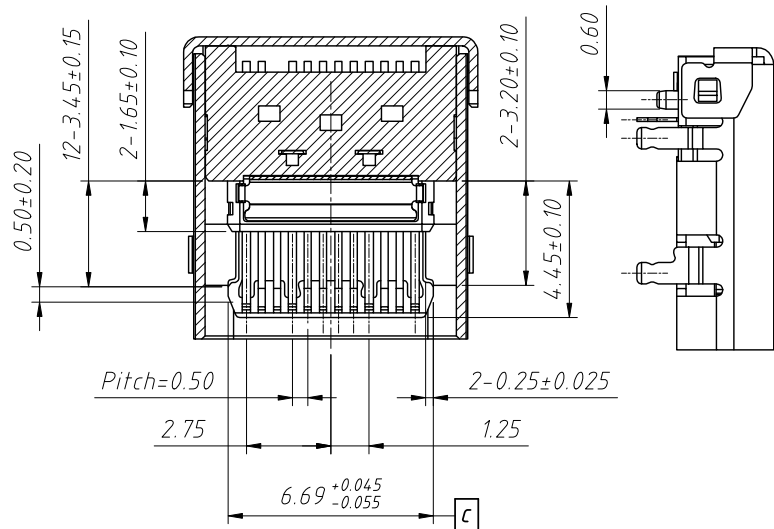


1 RoHS Compliance

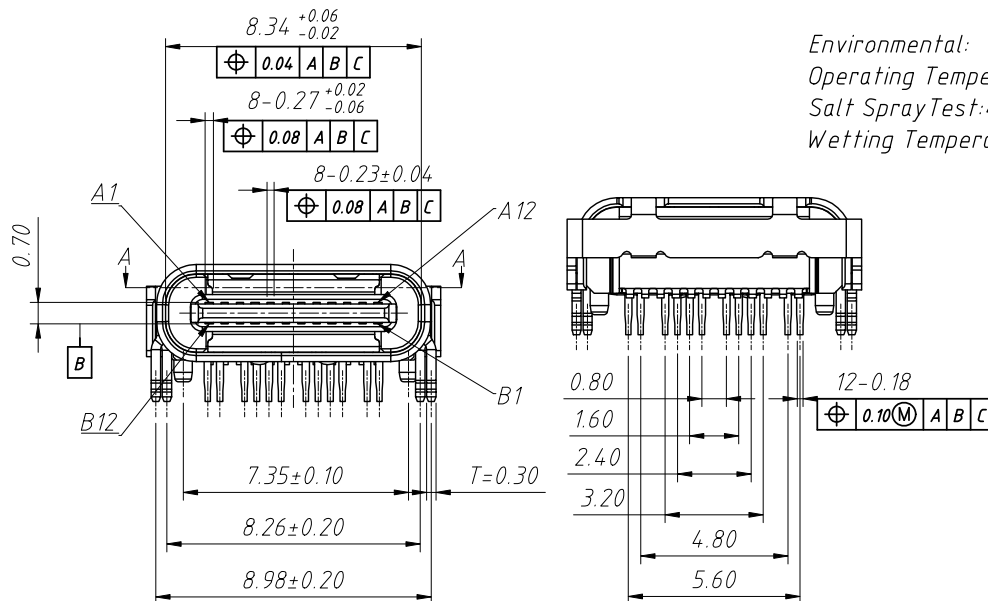
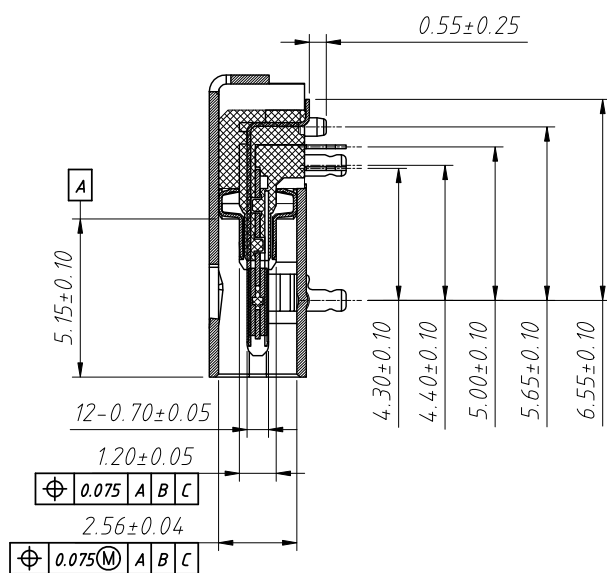


Material
 Housing:LCP/PA UL94V-0 Black
 Top Contact:C7025 TM04, T=0.12mm Au1u"Ni Min
 Down Contact:C7025 TM04, T=0.12mm Au1u"Ni Min
 Ground Bar:SUS301-1/2H, T=0.15mm
 Shell:SUS304-1/2H, T=0.30mm, 1u"Ni Min

Mechanical:
 Mating Force:5-20Nf;
 Unmating Force:Initial:8-20Nf;Final:6-20Nf;
 Durability:10000 Cycles;

Electrical
 Current Rating: VBus Pins:5A, Vconn Pin:1.25A,
 Other Pins:0.25A
 Voltage Rating: 20 V Max
 Dielectric Withstanding voltage:100Vac,60S,10mA
 Contact Resistance: 40mΩ Max
 Insulation Resistance: 100 MΩ Min.

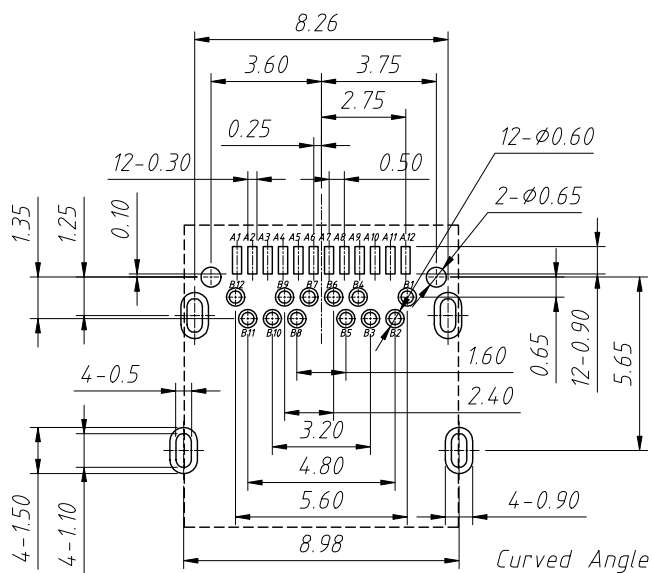
Environmental:
 Operating Temperature:-40°C TO +85°C
 Salt SprayTest:48H Min.(No oxidation or rust)
 Wetting Temperature:265±5°C,5±0.5s



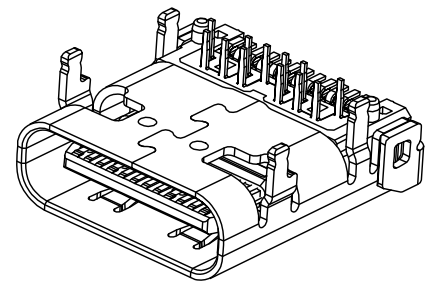
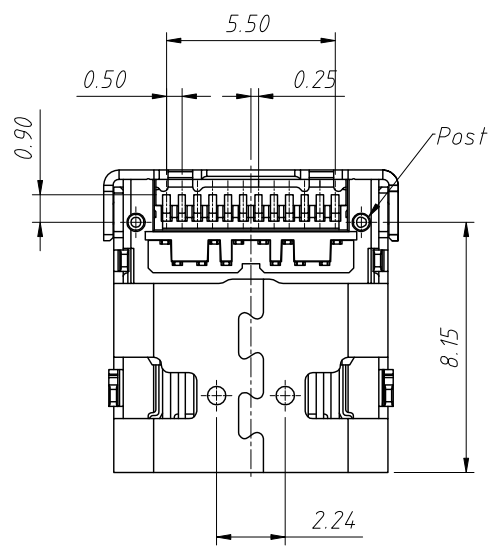
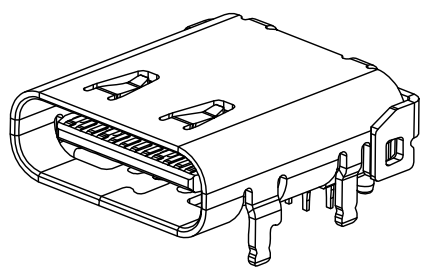
Pin Define Table			
Pin	Signal	Pin	Signal
A12	GND	B1	GND
A11	RX2+	B2	TX2+
A10	RX2-	B3	TX2-
A9	VBUS	B4	VBUS
A8	SBU1	B5	CC2
A7	D-	B6	
A6	D+	B7	
A5	CC1	B8	SBU2
A4	VBUS	B9	VBUS
A3	TX1-	B10	RX1-
A2	TX1+	B11	RX1+
A1	GND	B12	GND

ANGLE TOLERANCE	PROJECTION	Description:
±3°		Type-C Female Housing With Post 24Pin
GENERAL TOLERANCE	UNITS	mm
x.x ±0.30	SHEET SIZE	A4
x.xx ±0.20	Draw:	Daniel
x.xxx ±0.10	Check:	Daniel
		KLS P/N: L-KLS1-5431
		1 of 3
		2023-03-20
		2023-03-20

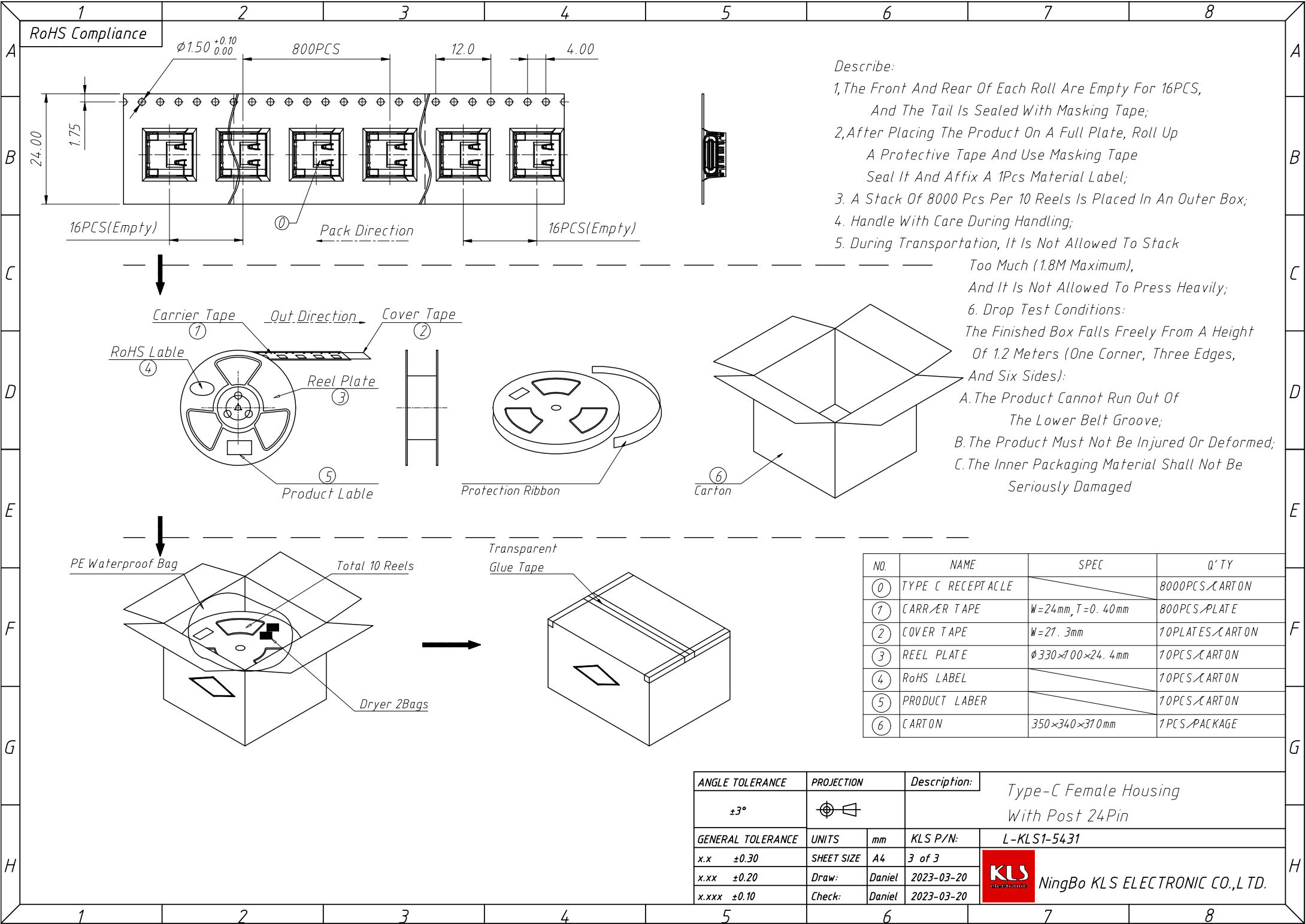
1
RoHS Compliance



Recommended PCB Layout
Tickness=1.0~1.2mm Tolerance:±0.05mm



ANGLE TOLERANCE	PROJECTION	Description:	Type-C Female Housing With Post 24Pin	
±3°				
GENERAL TOLERANCE	UNITS	mm	KLS P/N:	L-KLS1-5431
x.x ±0.30	SHEET SIZE	A4	2 of 3	NingBo KLS ELECTRONIC CO.,L TD.
x.xx ±0.20	Draw:	Daniel	2023-03-20	
x.xxx ±0.10	Check:	Daniel	2023-03-20	



- Describe:
- 1, The Front And Rear Of Each Roll Are Empty For 16PCS, And The Tail Is Sealed With Masking Tape;
 - 2, After Placing The Product On A Full Plate, Roll Up A Protective Tape And Use Masking Tape Seal It And Affix A 1Pcs Material Label;
 3. A Stack Of 8000 Pcs Per 10 Reels Is Placed In An Outer Box;
 4. Handle With Care During Handling;
 5. During Transportation, It Is Not Allowed To Stack Too Much (1.8M Maximum), And It Is Not Allowed To Press Heavily;
 6. Drop Test Conditions: The Finished Box Falls Freely From A Height Of 1.2 Meters (One Corner, Three Edges, And Six Sides):
 - A. The Product Cannot Run Out Of The Lower Belt Groove;
 - B. The Product Must Not Be Injured Or Deformed;
 - C. The Inner Packaging Material Shall Not Be Seriously Damaged

NO.	NAME	SPEC	Q'TY
①	TYPE C RECEPTACLE		8000PCS/CARTON
①	CARRIER TAPE	W=24mm, T=0.40mm	800PCS/PLATE
②	COVER TAPE	W=27.3mm	10PLATES/CARTON
③	REEL PLATE	φ330×100×24.4mm	10PCS/CARTON
④	RoHS LABEL		10PCS/CARTON
⑤	PRODUCT LABELER		10PCS/CARTON
⑥	CARTON	350×340×370mm	1PCS/PACKAGE

ANGLE TOLERANCE		PROJECTION		Description:	
±3°				Type-C Female Housing With Post 24Pin	
GENERAL TOLERANCE		UNITS	mm	KLS P/N:	L-KLS1-5431
x.x	±0.30	SHEET SIZE	A4	3 of 3	NingBo KLS ELECTRONIC CO.,L TD.
x.xx	±0.20	Draw:	Daniel	2023-03-20	
x.xxx	±0.10	Check:	Daniel	2023-03-20	