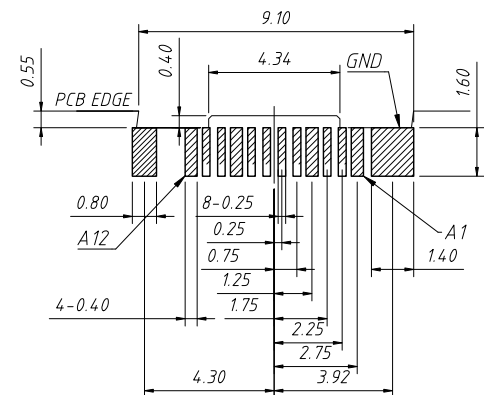
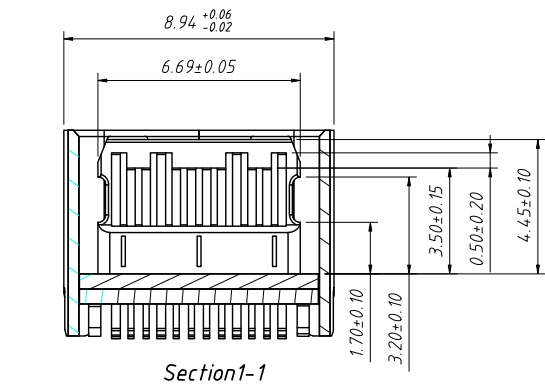
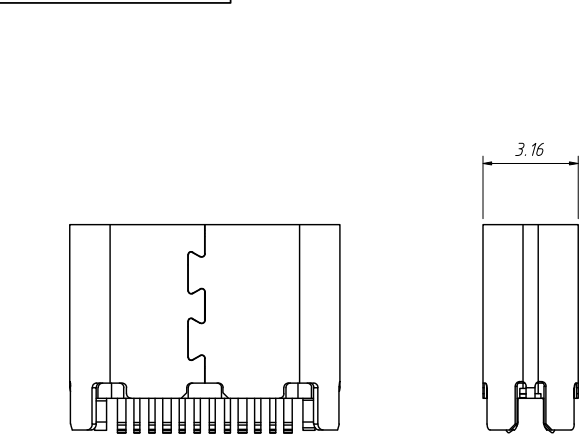
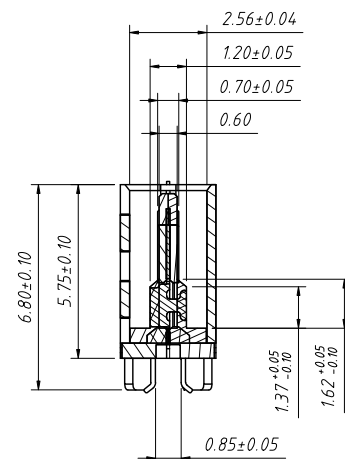
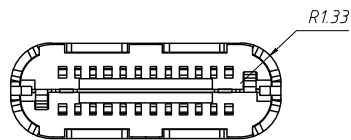
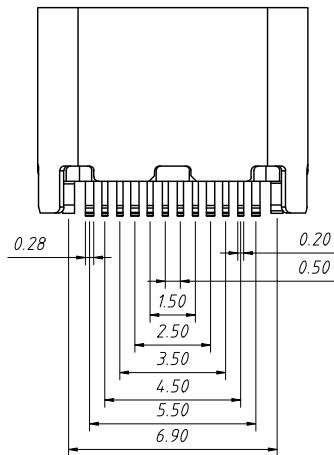
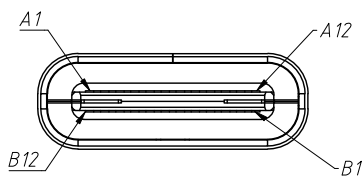


1 RoHS Compliance



Recommended PCB Layout T=0.80mm  
Tolerance:±0.05mm



PIN	SIGNAL NAME	PIN	SIGNAL NAME
A1	GND	B12	GND
A2	SSTXP1	B11	SSRXP1
A3	SSTXN1	B10	SSRXN1
A4	VBUS	B9	VBUS
A5	CC1	B8	SBU2
A6	DP1	B7	DN2
A7	DN1	B6	DP2
A8	SBU1	B5	CC2
A9	VBUS	B4	VBUS
A10	SSRXN2	B3	SSTXN2
A11	SSRXP2	B2	SSTXP2
A12	GND	B1	GND

ANGLE TOLERANCE	PROJECTION	Description:
±3°		CF Splint
GENERAL TOLERANCE	UNITS	mm
x.x ±0.30	SHEET SIZE	A4
x.xx ±0.20	Draw:	Daniel
x.xxx ±0.10	Check:	Daniel

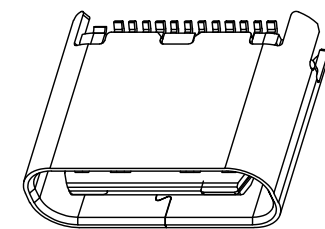
Material:  
Molding: LCP UL94 V-0  
Contact: Copper Alloy.  
Gold Plated Min On Contact Area,  
100u" Min Tin (Lead Free) On Solder Area.  
Shell: SUS304-H, T=0.30±0.03mm  
50u" Nickel Plating Over All.  
Shield: SUS304-H, T=0.12±0.03mm

Mechanical:  
Insertion: 5~20N.  
Extraction: 8~20N After Test.  
Durability: 10000 Cycles

3. Electrical:  
Current: 5A For VBUS:  
1.25A For GND Pin.  
0.25A For Other.

Voltage: 20 V Max  
Withstanding Voltage: 100V AC R.M.S  
Contact Resistance: 40mΩ Max  
Insulation Resistance: 100MΩ Min.

4. Environmental:  
Temperature Range -25°C ~ +85°C



L-KLS1-5469  
 NingBo KLS ELECTRONIC CO.,L TD.