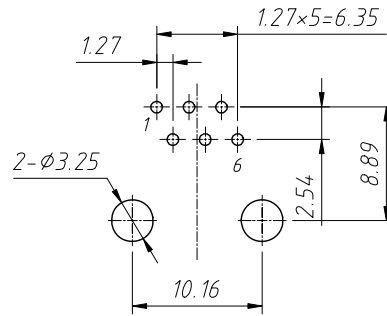
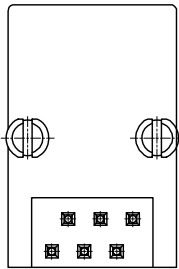
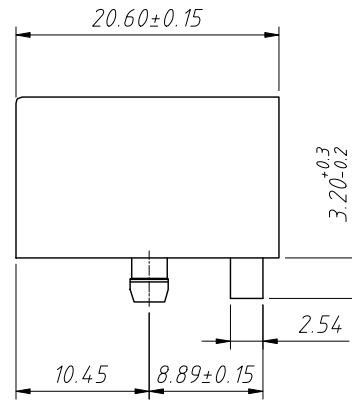
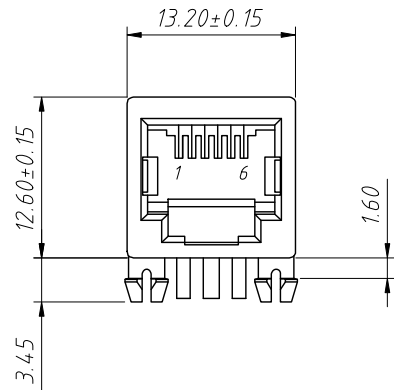


RoHS Compliance



PCB Layout/Top View

**Material:**

Housing: PBT, PA66, PA46, UL 94V-0

Contact: Phosphor Bronze  $\phi 0.46\text{mm}$

Shield: Copper Alloy  $T=0.20\text{mm}$ , Nickel Plated

**Electrical:**

Voltage Rating: 125VAC

Current Rating: 1.5Amp

Contact Resistance:  $30M\Omega$  Max.

Insulation Resistance:  $500M\Omega$  Min. @500VDC

Withstanding Voltage: 1000VAC RMS 50Hz 1 minute

Durability: 750 cycles Min.

Temperature:  $-40^{\circ}\text{C} \sim +85^{\circ}\text{C}$

**Order Information:**

L-KLS12-150-6P6C-W/O-1-01

L: RoHS

Point: 6P6C Point

6P4C Point 6P2C Point

Panel: W-With Panel

W/O-Without Panel

Part Color: 1-Black

2-Gray 3-White 4-IV

Gold Thickness: 01-Fu" 02-3u"

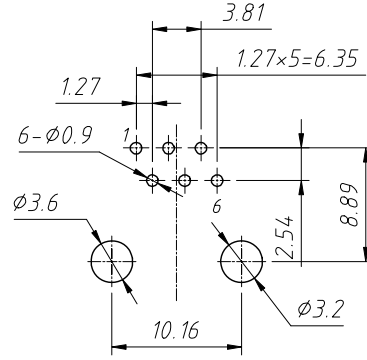
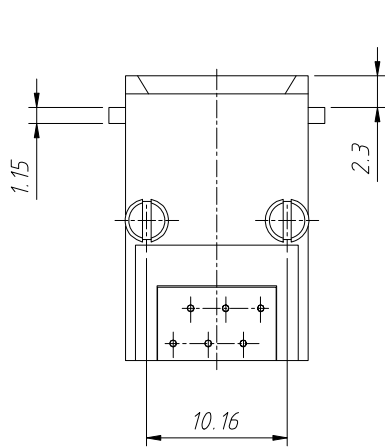
03-6u" 04-15u" 05-30u" 06-50u"

ANGLE TOLERANCE	PROJECTION	Description:
$\pm 3^{\circ}$		RJ12 Side Entry PCB Jack
GENERAL TOLERANCE	UNITS	mm
x.x $\pm 0.30$	SHEET SIZE	A4
x.xx $\pm 0.20$	Draw:	Daniel 2023-04-17
x.xxx $\pm 0.10$	Check:	Daniel 2023-04-17

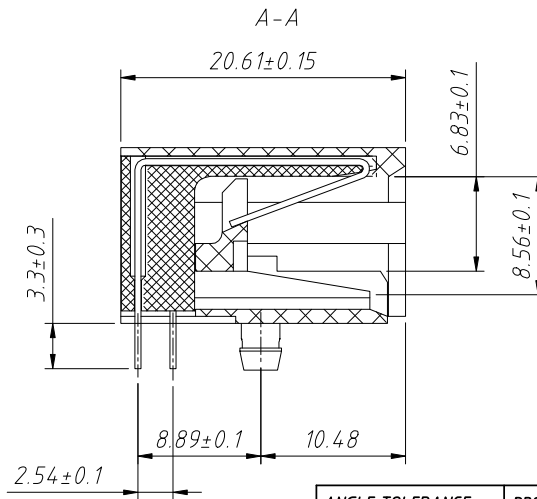
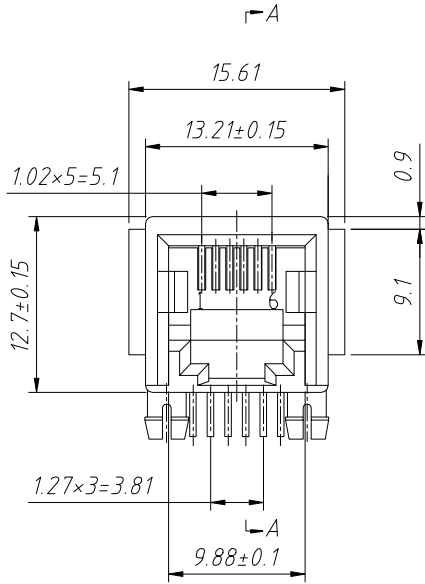
L-KLS12-150-6P6C-W/O-1-01

**NingBo KLS ELECTRONIC CO.,L TD.**

1 RoHS Compliance



PCB Layout/Top View



**Material**

- 1.Housing:Glass Filled Polyester UL94V-0 PBT, Nylon
- 2.Housing Color: Black, Gray, Ivory, White or Others
- 3.Contact Material: Phosphor Bronze  $\phi 0.46\text{mm}$
- 4.Plating:Gold plating over nickel.Gold plating thickness 1.5u"/ 3u"/ 6u"/ 15u"/ 30u"/ 50u"

**Electrical**

- 1.Current Rating:1.5Amp
- 2.Voltage Rating:125VAC
- 3.Contact Resistance: 30M $\Omega$  Max.
- 4.Insulation Resistance: 500M $\Omega$  Min. @500VDC
- 5.Withstanding Voltage:1000VAC RMS 50Hz 1 minute

**Mechanical**

- 1.Durability : 750 cycles Min.
- 2.PCB Retention pre-solder : 1 LB MIN

**Environmental**

- 1.Storage :-40°C ~ +80°C
- 2.Operation:-40°C ~ +70°C

**Order Information:**

L-KLS12-150-6P6C-W-1-01

- L: RoHS
- Point:6P6C Point
- 6P4C Point 6P2C Point
- Panel:W-With Panel
- W/O-Without Panel
- Part Color:1-Black
- 2-Gray 3-White 4-IV
- Gold Thickness:01-Fu" 02-3u"
- 03-6u" 04-15u" 05-30u" 06-50u"

ANGLE TOLERANCE	PROJECTION	Description:
$\pm 3^\circ$		RJ12 Side Entry PCB Jack
GENERAL TOLERANCE	UNITS	mm
x.x $\pm 0.30$	SHEET SIZE	A4
x.xx $\pm 0.20$	Draw:	Daniel 2023-04-17
x.xxx $\pm 0.10$	Check:	Daniel 2023-04-17
		KLS electronic
		NingBo KLS ELECTRONIC CO.,L TD.