




Fiber **PFT** series



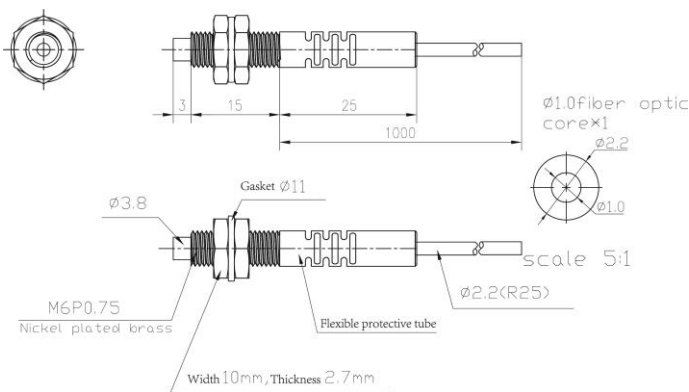
Features

- ◆ Standard threaded mounting, easy and convenient;
- ◆ Made of stainless steel, with high durability;
- ◆ Suitable for installation in narrow spaces, with high detection accuracy.

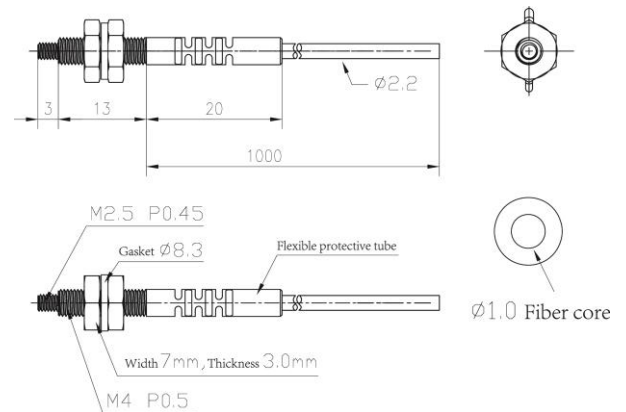
Through beam

Item code	Size	Shape	Min bending radius	Sensing distance (mm)	Min detected target (mm)
PFT-610	M6		R25	FINE:300	φ0.5
				TURBO:500	
				SUPER:800	
PFT-410	M4		R25	FINE:300	φ0.5
				TURBO:500	
				SUPER:800	
PFT-310	M3		R25	FINE:200	φ0.5
				TURBO:400	
				SUPER:700	

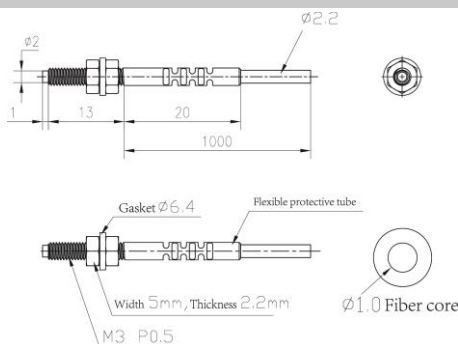
Dimension: PFT-610



Dimension: PFT-410



Dimension: PFT-310



Fiber head **PFT** series



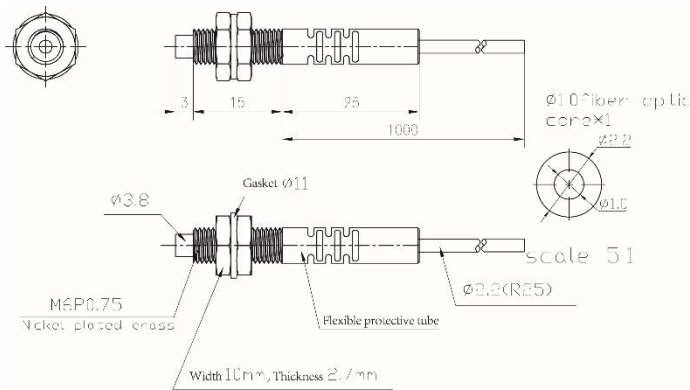
Features

- ◆ Standard threaded mounting, easy and convenient;
- ◆ Made of stainless steel, with high durability;
- ◆ Suitable for installation in narrow spaces, with high detection accuracy.

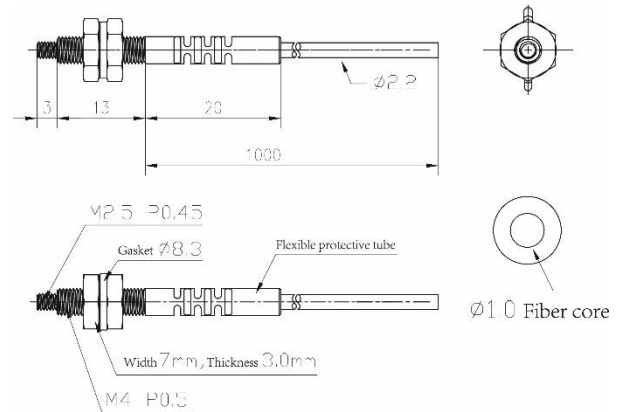
Through beam

Item code	Size	Shape	Min bending radius	Sensing distance (mm)	Min detected target (mm)
PFT-610	M6		R25	280	φ0.5
PFT-410	M4		R25	250	φ0.5
PFT-310	M3		R25	200	φ0.5

Dimension: PFT-610



Dimension: PFT-410



Dimension: PFT-310

