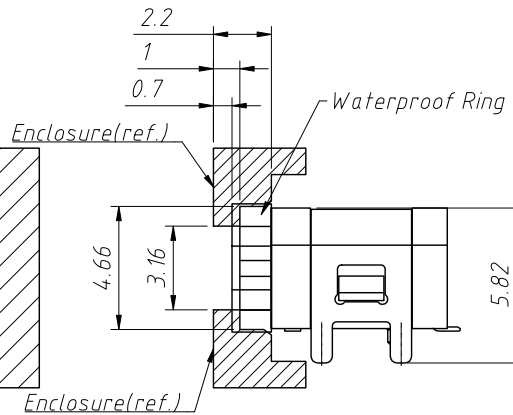
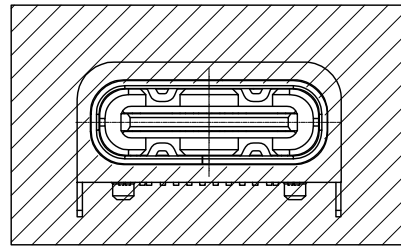
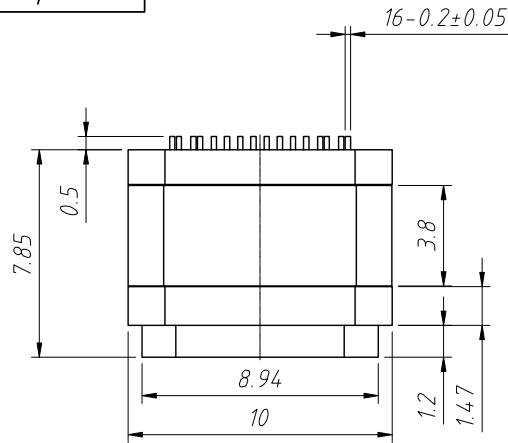
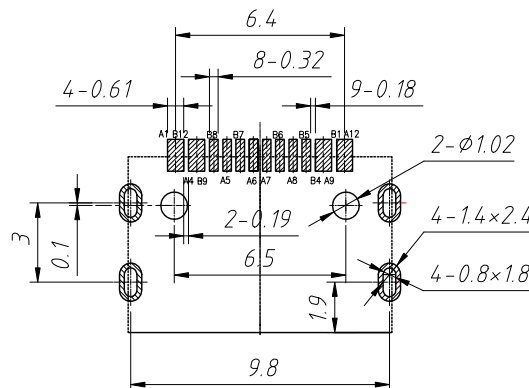
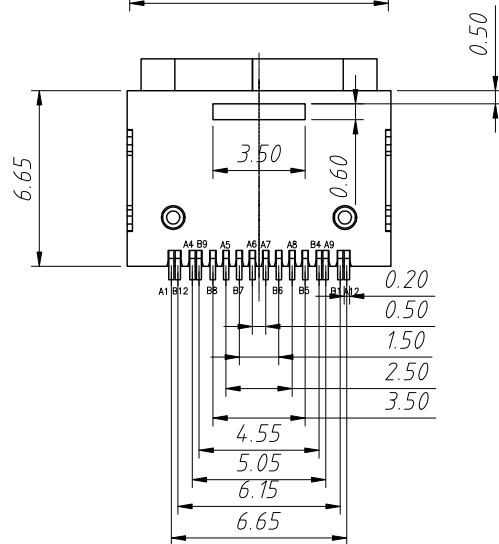
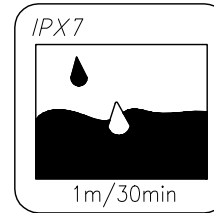
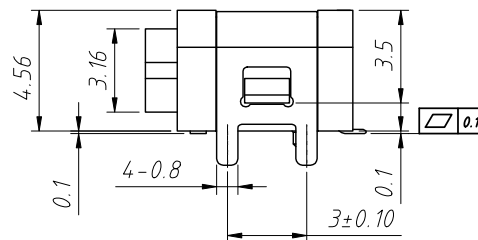
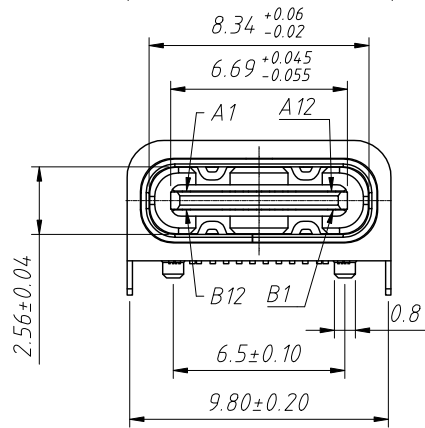


1 RoHS Compliance



Recommended Schematic Drawing Of Connector Match Chassis



Recommended PCB Layout
Tolerance: ±0.05mm

Specification:
Material:
Housing:LCP Black
Shell Housing:LCP Black
Contact:Brass,
Contact Plating: Au (1u"-3u")
Soldering Plating: Au 1u"
Shielding Plate:Stainless Steel,
Ni Plated:4.0u"MIN
Shell:Stainless Steel,Ni Plated:4.0u"MIN
Run-Ring:Silica gel,Black

Electric:
Current Rating:5.0A MAX
Voltage:30 VAC
Temperature Range:-30°C ~ +85°C
Contact Resistance:40 mΩ MAX
Insulation Resistance:100 MΩ MIN
Insertion Force:6N~20N
Unmating Force:8N~20N
Durability:10,000 Cycles
Water Proofness:

This product is Based ON IPX7(1.5M/30min)

USB TYPE-C Pin Assignments

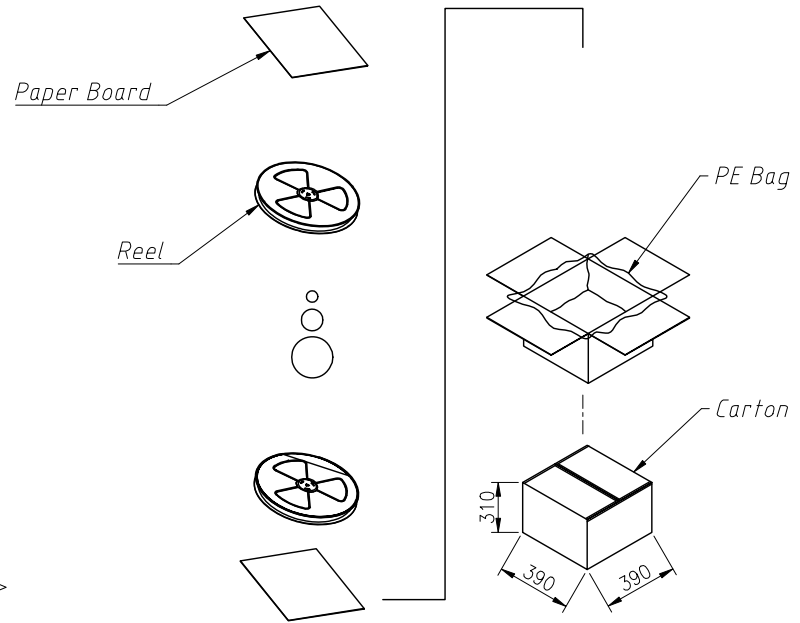
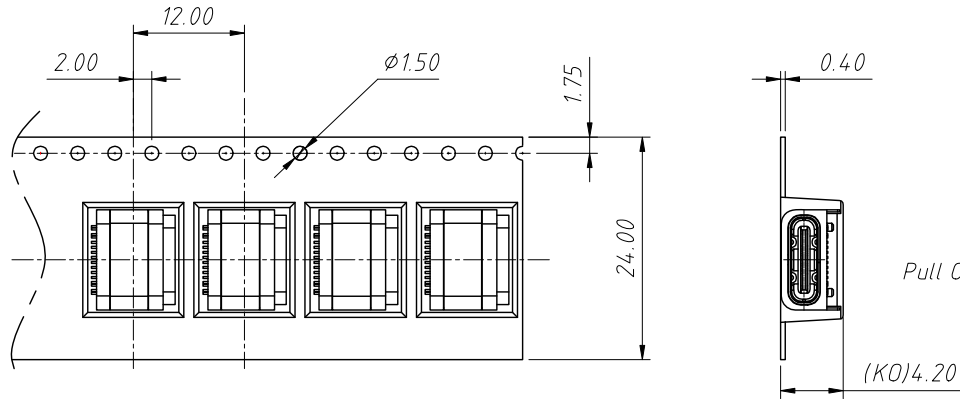
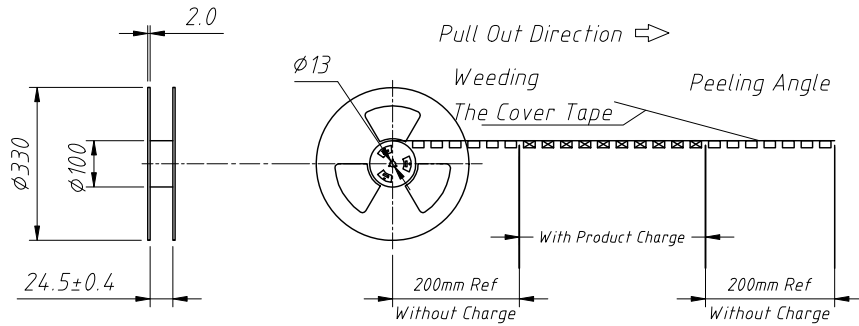
PIN NO.	Signal Name
A1	GND
A4	VBUS
A5	CC1
A6	Dp1
A7	Dn1
A8	SBU1
A9	VBUS
A12	GND

PIN NO.	Signal Name
B12	GND
B9	VBUS
B8	SBU2
B7	Dn2
B6	Dp2
B5	CC2
B4	VBUS
B1	GND

ANGLE TOLERANCE	PROJECTION	Description:	SMT USB Type-C 16P IPX7 Waterproof Connector
±3°			
GENERAL TOLERANCE	UNITS	mm	L-KLS1-PUB-021-R
x.x ±0.30	SHEET SIZE	A4	
x.xx ±0.20	Draw:	Daniel	2023-04-14
x.xxx ±0.10	Check:	Daniel	

NingBo KLS ELECTRONIC CO.,L TD.

1 RoHS Compliance



Notes:

1.Materials:

- Carton: Fiberboard, Corrugated, Double Walled
- Tape: Polystyrene, Heat-Resistant Temperature: 120°C, White.
- Drum: Polystyrene, Heat-Resistant Temperature: 70°C, Blue.
- Packaging: Polyethylene, Heat-Resistant Temperature: 100°C.

2.Peel Strength: 0.1~1.3 N (10~30 Grams)

3.Peeling Speed: 300mm/Min.

4.Each Bag Should Include Desiccant × 1.

5.Attach Numbered Material Labels And Rohs Labels On The Outer Box.

6.The Same Product Can Only Be Packed In The Same Cardboard Box,
And Other Products Are Not Allowed.

7.After Packaging, The Riveted Side Of The Product Should Face Inward

8.Quantity:600 PCS/Reel3000PCS/Carton

ANGLE TOLERANCE	PROJECTION	Description:	SMT USB Type-C 16P	
±3°			IPX7 Waterproof Connector	
GENERAL TOLERANCE	UNITS	mm	KLS P/N:	L-KLS1-PUB-021-R
x.x ±0.30	SHEET SIZE	A4	2 Of 2	
x.xx ±0.20	Draw:	Daniel	2023-04-14	
x.xxx ±0.10	Check:	Daniel	2023-04-14	
			NingBo KLS ELECTRONIC CO.,L TD.	