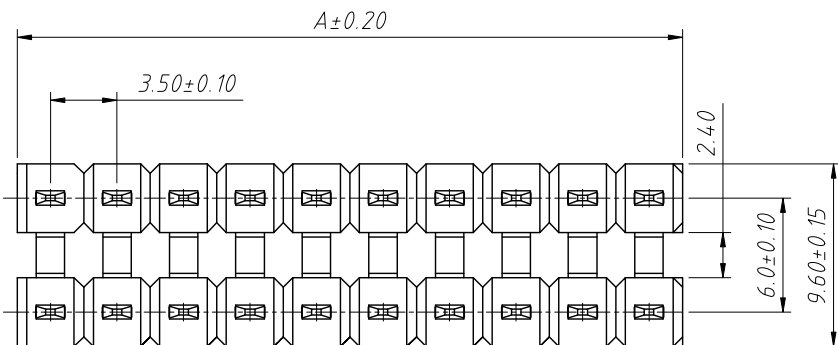


RoHS Compliance



Ordering Information & Dimensions

Circuits	Dimensions(mm)		Circuits	Dimensions(mm)	
	A	B		A	B
2×02	7.00	3.50	2×07	24.5	21.0
2×03	10.5	7.00	2×08	28.0	24.5
2×04	14.0	10.5	2×09	31.5	28.0
2×05	17.5	14.0	2×10	35.0	31.5
2×06	21.0	17.5			

Material:

Insulator: High Temp. Plastic
LCP+30%G.F UL94V-0, Black.

Contact: Brass

Plating: Tin-plating

Electrical Characteristics:

Current Rating: 7A AC/DC

Voltage Rating: 500V AC/DC

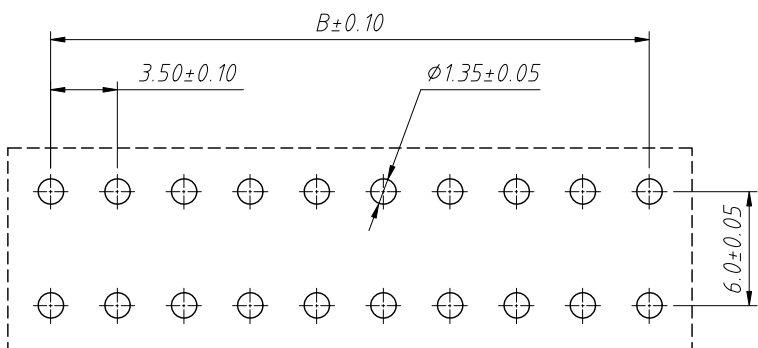
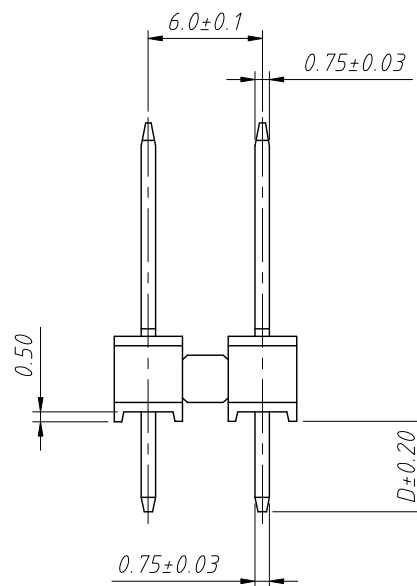
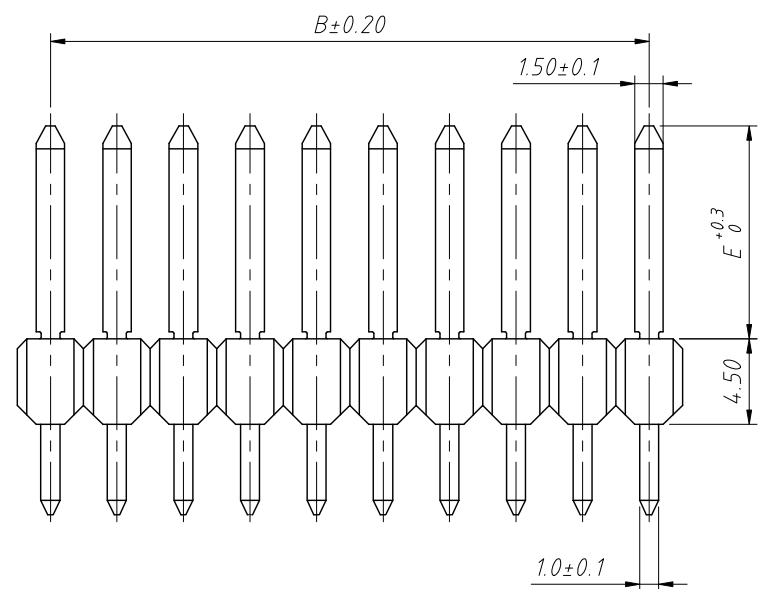
Contact Resistance: 20mΩ Max

Insulator Resistance: 1000MΩ Min

Withstand Voltage: 600V AC/DC

Mechanical

Operating Temperature: -40°C ~ +105°C



Recommended P.C.B Layout

Order Information:

L-KLS1-207LA-4.50-2-XX-S-D1-Sn

L: RoHS

Pin Header Series

3.50mm Pitch

Plastics Height:

4.50mm

Per Row: Dual Row

Pin: No. of Pins (2×10)

Type: Straight Pin

Size: (D1, D2, D3)

Plating: Tin-plating

Size	E	D
D1	11.2	4.75
D2	11.2	3.05
D3	16.1	3.05

ANGLE TOLERANCE	PROJECTION	Description:
±3°		3.5×6.0mm Pin Header Double Row Straight Type
GENERAL TOLERANCE	UNITS	mm
x.x ±0.30	SHEET SIZE	A4
x.xx ±0.20	Draw:	Daniel 2018-07-10
x.xxx ±0.10	Check:	Daniel 2018-07-10

KLS NingBo KLS ELECTRONIC CO.,LTD.