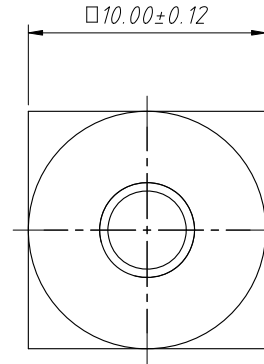
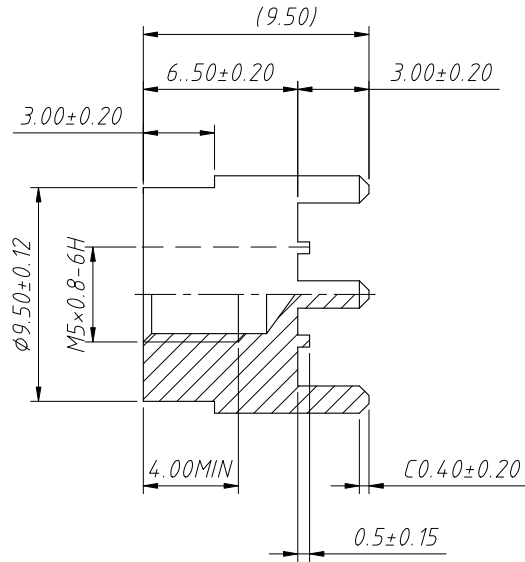
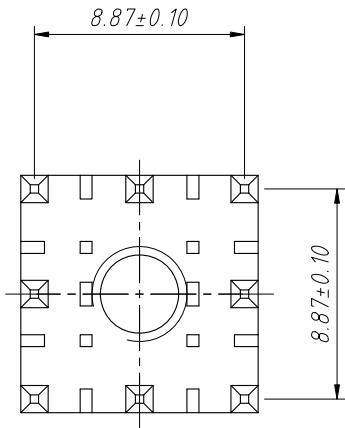


1  
RoHS Compliance



Order Information:

L-KLS8-DDK500-03-M5×9.5-10.0

L: RoHS

Product Type

Pins 03

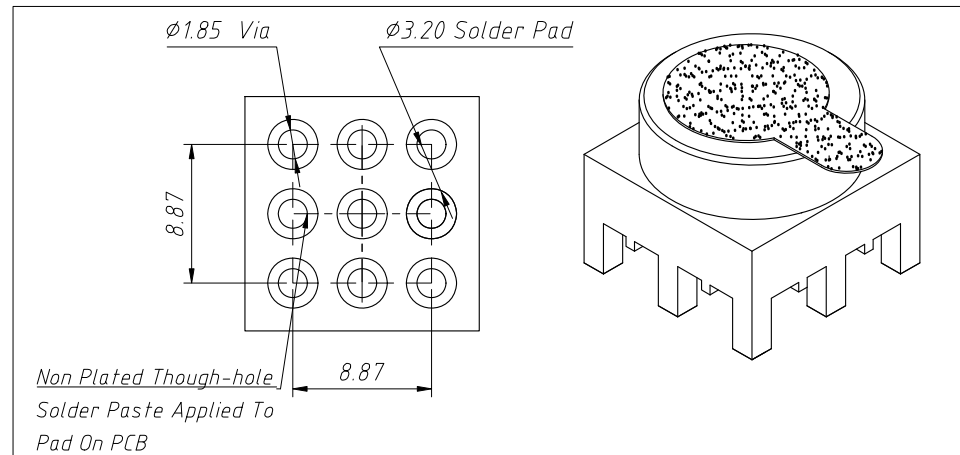
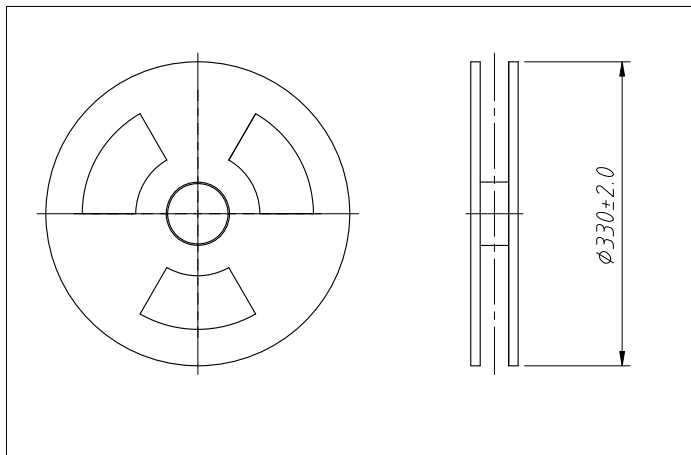
Product size: M5×9.5-10.0

Notes:

Material: Brass C3604, Tin Plated.

Remove All Burrs And Sharpe Angle,  
Product Is Clean.

Packaged On 13" Recyclable Reels,  
Tape Width Is 24mm, Reels Conform  
To IEC 60286-3 Package: 400 Pcs/Reel.



Non Plated Though-hole  
Solder Paste Applied To  
Pad On PCB

ANGLE TOLERANCE	PROJECTION	Description:	High Current Without Welding Terminal
±3°			
GENERAL TOLERANCE	UNITS	mm	KLS P/N: L-KLS8-DDK500-03-M5×9.5-10.0
x.x ±0.30	SHEET SIZE	A4	3:1
x.xx ±0.20	Draw:	Daniel	2023-02-16
x.xxx ±0.10	Check:	Daniel	2023-02-16



NingBo KLS ELECTRONIC CO.,L TD.