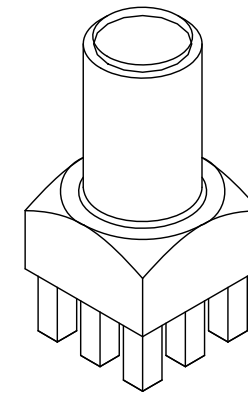
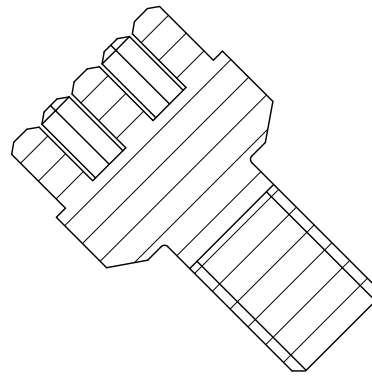
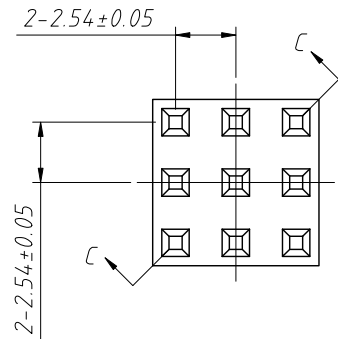
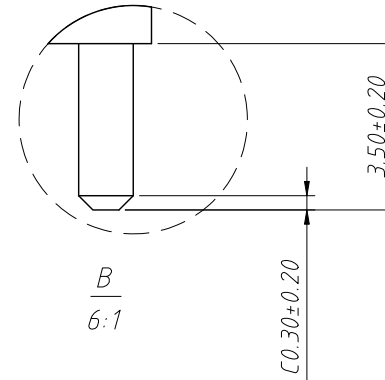
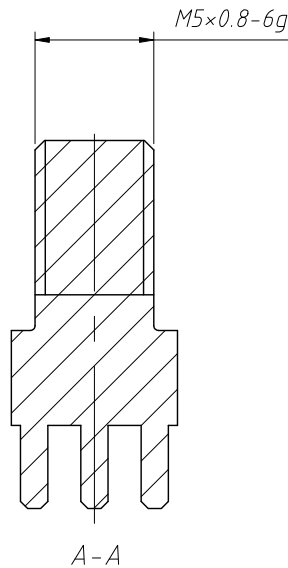
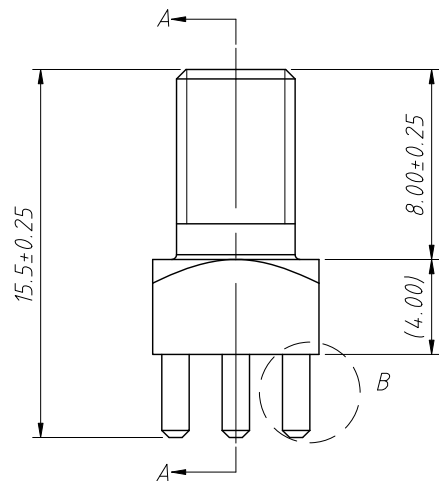


1 RoHS Compliance



C-C



Order Information:

L-KLS8-DDK300-03-M5x15.5-7.0

L: RoHS

Product Type

Pins 03

Product size: M5x15.5-7.0

Notes:

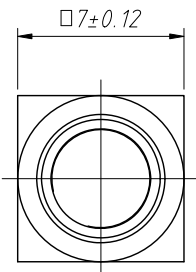
1:Material:Brass C3604, Tin Plated.

2:Packaging:Blister and Carton.

3:Free of burrs and sharp edges.

4:Thread must be checked with Go/No Go Gauge.

5:Unless otherwise specified:±0.12mm and angle ±2°C

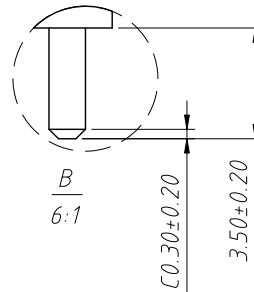
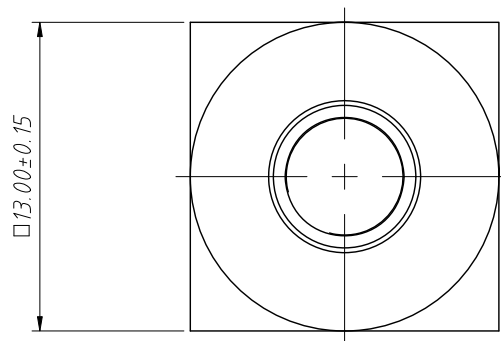
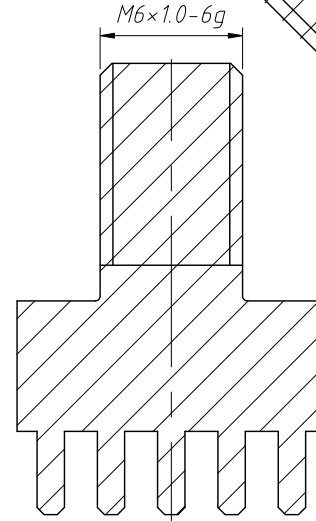
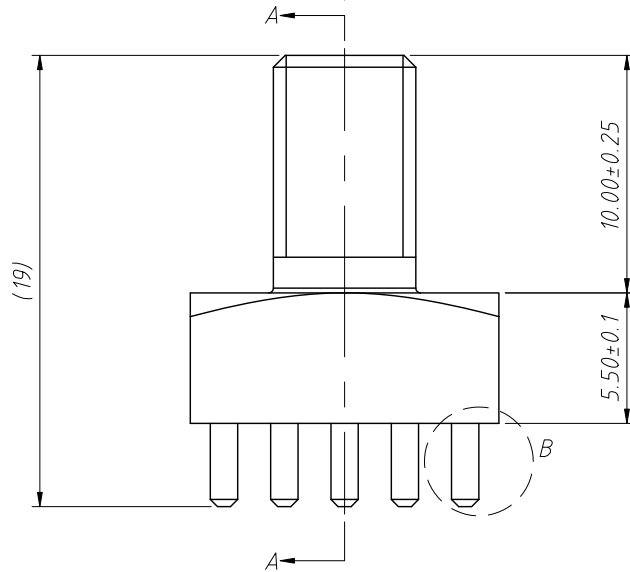
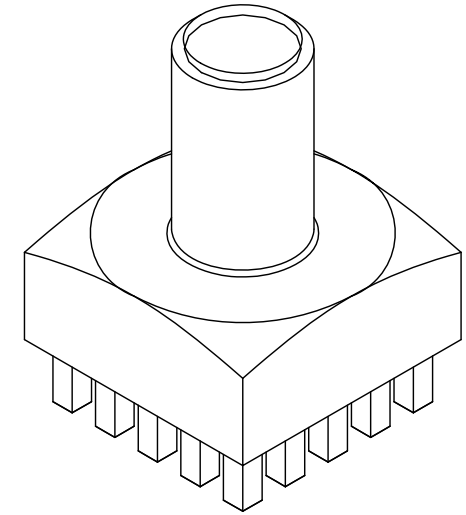
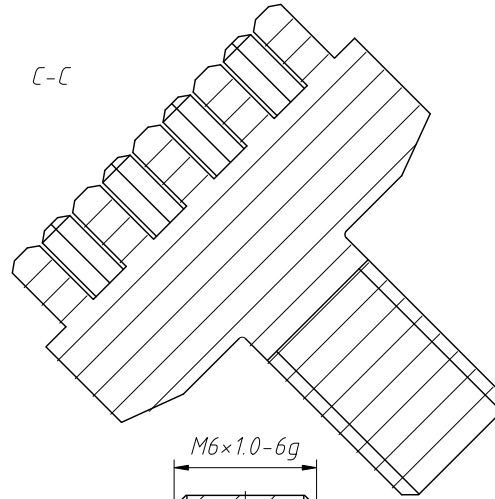
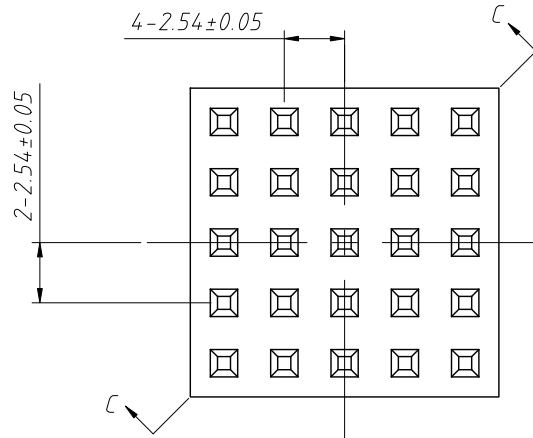


ANGLE TOLERANCE	PROJECTION	Description:	High Current Without Welding Terminal
±3°			
GENERAL TOLERANCE	UNITS	mm	KLS P/N: L-KLS8-DDK300-03-M5x15.5-7.0
x.x ±0.30	SHEET SIZE	A4	3:1
x.xx ±0.20	Draw:	Daniel	2023-02-15
x.xxx ±0.10	Check:	Daniel	2023-02-15



NingBo KLS ELECTRONIC CO.,L TD.

1 RoHS Compliance



Order Information:

L-KLS8-DDK300-05-M6×19.0-13.0

L: RoHS

Product Type

Pins 05

Product size: M6×19.0-13.0

Notes:

1:Material:Brass C3604,Tin Plated.

2:Packaging:Blister and Carton.

3:Free of burrs and sharp edges.

4:Thread must be checked with Go/No Go Gauge.

5:Unless otherwise specified:±0.15mm and angle ±3°C

ANGLE TOLERANCE	PROJECTION	Description:		
±3°		High Current Without Welding Terminal		
GENERAL TOLERANCE	UNITS	mm	KLS P/N:	L-KLS8-DDK300-05-M6×19.0-13.0
x.x ±0.30	SHEET SIZE	A4	3:1	NingBo KLS ELECTRONIC CO.,L TD.
x.xx ±0.20	Draw:	Daniel	2023-02-15	
x.xxx ±0.10	Check:	Daniel	2023-02-15	