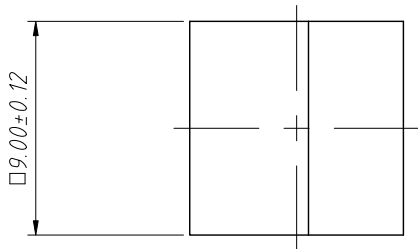
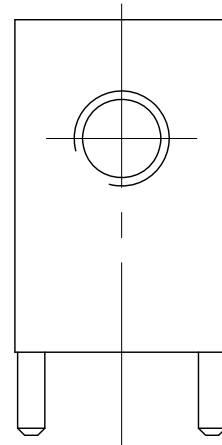
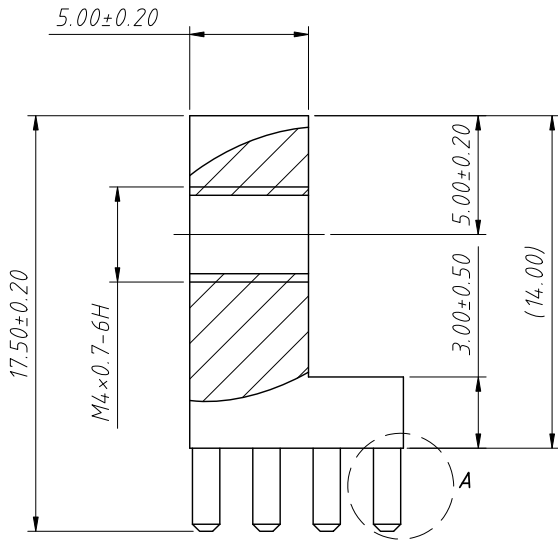
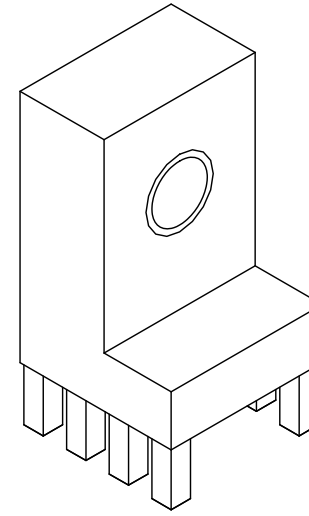
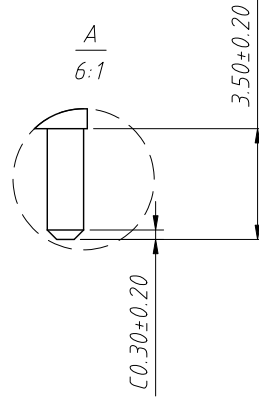
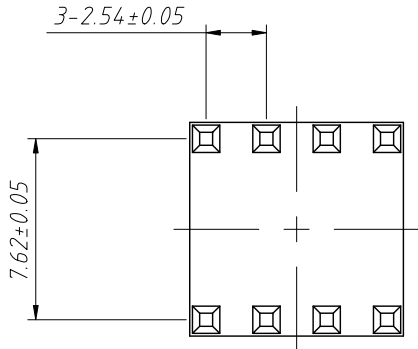


1
RoHS Compliance



Order Information:

L-KLS8-DDK100-04-M4x17.5-9.0

L: RoHS

Product Type

Pins 04

Product size: M4x17.5-9.0

Notes:

1:Material:Brass C3604, Tin Plated.

2:Packaging:Blister and Carton.

3:Free of burrs and sharp edges.

4:Thread must be checked with Go/No Go Gauge.

5:Unless otherwise specified:±0.12mm and angle ±2°C

ANGLE TOLERANCE	PROJECTION	Description:	High Current Without Welding Terminal	
±3°				
GENERAL TOLERANCE	UNITS	mm	KLS P/N:	L-KLS8-DDK100-04-M4x17.5-9.0
x.x ±0.30	SHEET SIZE	A4	3:1	NingBo KLS ELECTRONIC CO.,L TD.
x.xx ±0.20	Draw:	Daniel	2023-02-15	
x.xxx ±0.10	Check:	Daniel	2023-02-15	