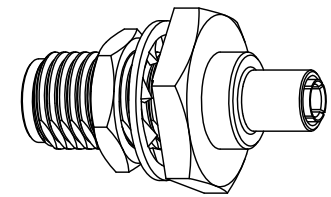
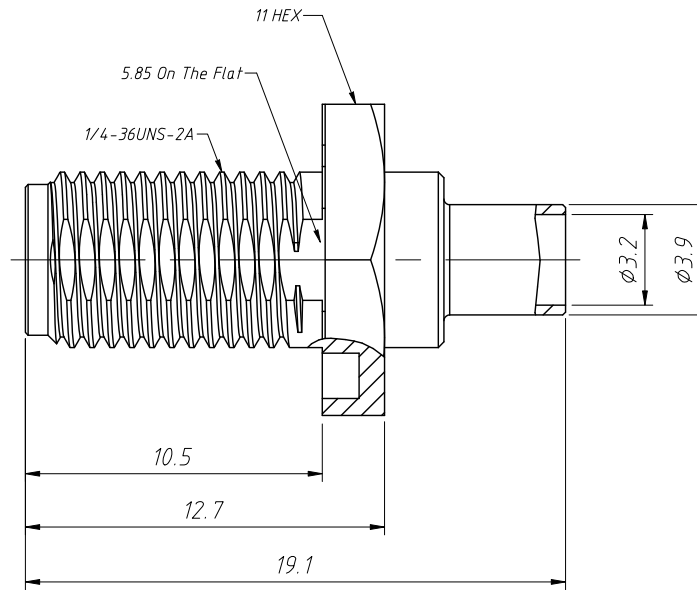
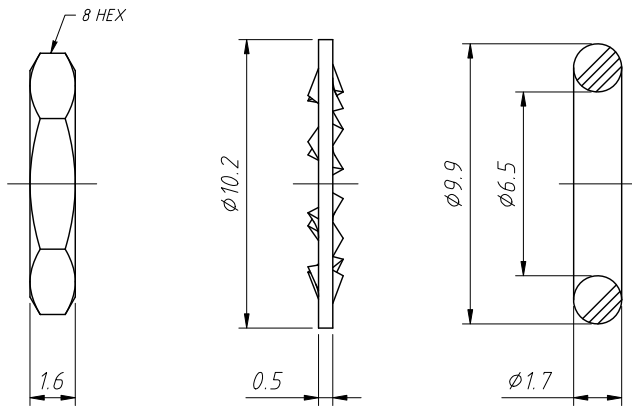


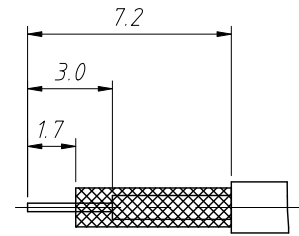
1 RoHS Compliance



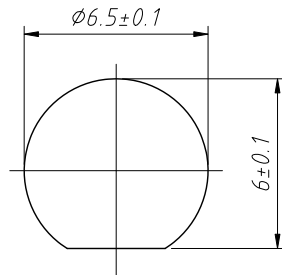
Material:
 Body: Brass, Gold Plating
 Contact Pin: Brass, Gold Plating
 Hex Nut: Brass, Gold Plating
 Insulator: PTFE, Natural
 Gasket: Silicone Rubber, Red
 Sleeve: Brass, Gold Plating
 Lock Washer: Brass, Gold Plating

Electrical Specifications:
 Impedance: 50Ω
 Frequency Range: 0-6 GHz
 VSWR: 1.3(-17.700 dB) Max.@0-3 GHz
 D.W.V: 1000VRMS Min.

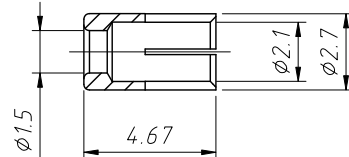
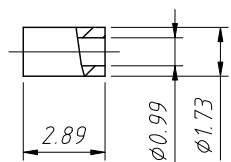
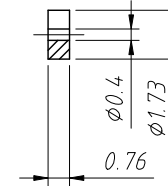
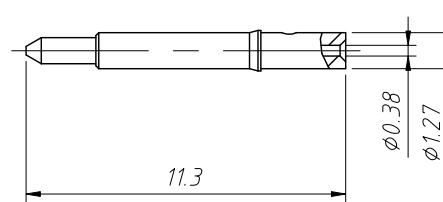
Mechanical Specifications:
 Durability: 500 Cycles Min.
 Temperature Range: -65°C to +165°C
 MAX. Panel Thickness: 3.2mm



Recommended Cable Stripping Dims



Recommended Mounting Hole



ANGLE TOLERANCE	PROJECTION	Description:	Panel Mount SMA Cable Connector Straight (Jack, Male, 50Ω)	
±3°				
GENERAL TOLERANCE	UNITS	mm	KLS P/N:	L-KLS1-SMA144
x.x ±0.30	SHEET SIZE	A4		
x.xx ±0.20	Draw:	Daniel	2020-11-11	NingBo KLS ELECTRONIC CO.,L TD.
x.xxx ±0.10	Check:	Daniel	2020-11-11	