

Measuring light curtain **MH40** series

Features

- ◆RS485 synchronous scanning technology, strong anti interference function;
- ◆Various detection height, from 300mm to 2220mm;
- ◆Optic axis distance:20mm;
- ◆Dual switch control with two-way switch value and RS485 output;
- ◆Faul+alarm and fault diagnosis function.

Part number

Axis number	8 axis	16 axis	24 axis	32 axis	40 axis
Emitter	MH40-T0805L-F2	MH40-T1605L-F2	MH40-T2405L-F2	MH40-T3205L-F2	MH40-T4005L-F2
Receiver	MH40-T0805LS1DA-F8	MH40-T1605LS1DA-F8	MH40-T2405LS1DA-F8	MH40-T3205LS1DA-F8	MH40-T4005LS1DA-F8
Detection area	280mm	600mm	920mm	1260mm	1560mm
Response time	5ms	10ms	15ms	18ms	19ms
Axis number	48 axis	56 axis			
Emitter	MH40-T4805L-F2	MH40-T5605L-F2			
Receiver	MH40-T4805LS1DA-F8	MH40-T5605LS1DA-F8			
Detection area	1880mm	2200mm			
Response time	20ms	24ms			

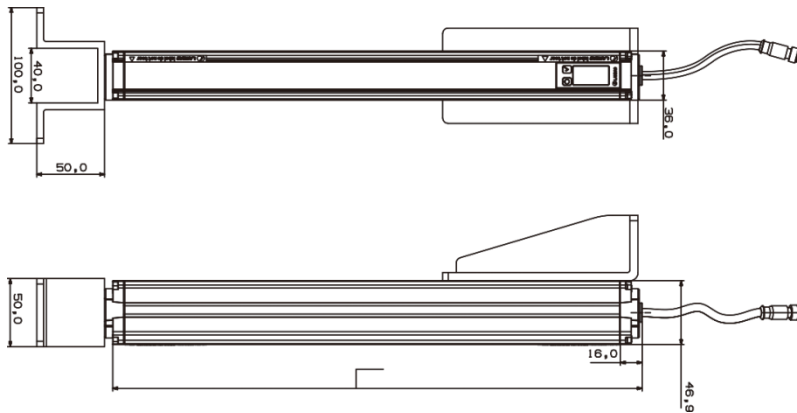
Technical specifications

Sensing distance	0~5m	Current consumption	<120mA@8 axis@30VDC
Axis distance	40mm	Scanning mode	Parallel light
Sensing target	Φ 60mm opaque object	Operating temperature	-25℃~+55℃
Light source	Infrared light (850nm)	Ambient humidity	35%~95%RH
Output 1	NPN/PNP, NO/NC settable*	Output indicator	OLED indicator LED indicator
Output 2	RS485	Insulation resistance	≥50MΩ
Supply voltage	DC 15~30V	Impact resistance	15g, 16ms, 1000 times for each X, Y, Z axis
Leakage current	<0.1mA@30VDC	Protection degree	IP67
Voltage drop	<1.5V@Ie=200mA	Housing material	Aluminium alloy
Synchronization mode	Line synchronization		
Load current	≤200mA (Receiver)		
Anti ambient light interference	50,000lx(incidence angle≥5°)		
Connection	Emitter: M12 4 pins connector+20cm cable; Receiver: M12 8 pins connector+20cm cable		
Protection circuit	Short circuit protection, Zener protection, surge protection and reverse polarity protection		
Impulse Withstand Voltage Test	Peak voltage 1000V, last for 50us, 3 times		
Vibration resistance	Frequency: 10...55Hz, amplitude: 0.5mm (2h per X,Y,Z direction)		
Accessory	Mounting bracket × 2, 8-core shielded wire × 1 (3m), 4-core shielded wire × 1 (15m)		

*Set by RS485 command

Measuring light curtain **MH40** series

Dimensions



Light curtain line sequence definition



Male

- | | |
|------------|---|
| 1 - Brown | Power+ |
| 2 - White | Output (NPN, PNP or NO, NC are configurable) |
| 3 - Blue | Power- |
| 4 - Black | Output (NPN, PNP or NO, NC are configurable) |
| 5 - Grey | Synchronizing signal+ (synchronizing signal+ with emitter) |
| 6 - Pink | Synchronizing signal- (synchronizing signal- with emitter) |
| 7 - Purple | RS485A |
| 8 - Orange | RS485B |



Male

- | | |
|-----------|--|
| 1 - Brown | Power+ |
| 2 - White | Synchronizing signal+ (synchronizing signal+ with receiver) |
| 3 - Blue | Power- |
| 4 - Black | Synchronizing signal- (synchronizing signal- with receiver) |