

Measuring light curtain **MH20** series

**Features**

- ◆RS485 synchronous scanning technology, strong anti interference function;
- ◆Various detection height, from 300mm to 2220mm;
- ◆Optic axis distance:20mm;
- ◆Dual switch control with two-way switch value and RS485 output;
- ◆Faul+alarm and fault diagnosis function.

**Part number**

Axis number	16 axes	32 axes	48 axes	64 axes	80 axes
Emitter	MH20-T1605L-F2	MH20-T3205L-F2	MH20-T4805L-F2	MH20-T6405L-F2	MH20-T8005L-F2
Receiver	MH20-T1605LS1DA-F8	MH20-T3205LS1DA-F8	MH20-T4805LS1DA-F8	MH20-T6405LS1DA-F8	MH20-T8005LS1DA-F8
Detection area	300mm	620mm	940mm	1260mm	1580mm
Response time	5ms	10ms	15ms	18ms	19ms
Axis number	96 axes	112 axes			
Emitter	MH20-T9605L-F2	MH20-T11205L-F2			
Receiver	MH20-T9605LS1DA-F8	MH20-T11205LS1DA-F8			
Detection area	1900mm	2200mm			
Response time	20ms	24ms			

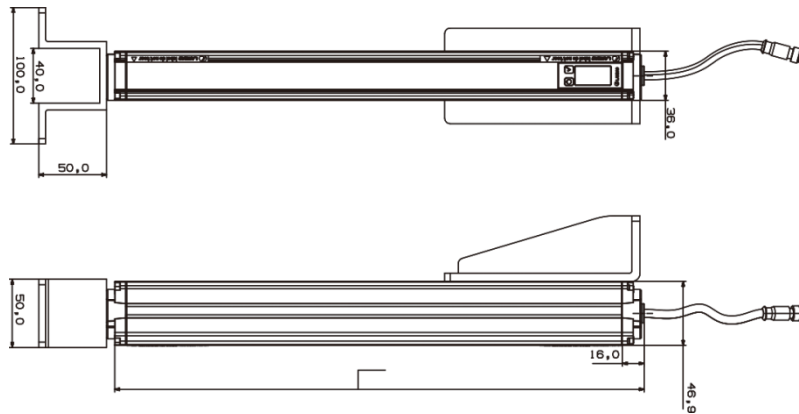
**Technical specifications**

Sensing distance	0~5m	Current consumption	<130mA@16 axis@30VDC
Axis distance	20mm	Scanning mode	Parallel light
Sensing target	Φ 30mm opaque object	Operating temperature	-25℃~+55℃
Light source	Infrared light (850nm)	Ambient humidity	35%~95%RH
Output 1	NPN/PNP, NO/NC settable*	Output indicator	OLED indicator LED indicator
Output 2	RS485	Insulation resistance	≥50MΩ
Supply voltage	DC 15~30V	Impact resistance	15g, 16ms, 1000 times for each X, Y, Z axis
Leakage current	<0.1mA@30VDC	Protection degree	IP67
Voltage drop	<1.5V@Ie=200mA	Housing material	Aluminium alloy
Synchronization mode	Line synchronization		
Load current	≤200mA (Receiver)		
Anti ambient light interference	50,000lx(incidence angle≥5° )		
Connection	Emitter: M12 4 pins connector+20cm cable; Receiver: M12 8 pins connector+20cm cable		
Protection circuit	Short circuit protection, Zener protection, surge protection and reverse polarity protection		
Impulse Withstand Voltage Test	Peak voltage 1000V, last for 50us, 3 times		
Vibration resistance	Frequency: 10~55Hz, amplitude: 0.5mm (2h per X,Y,Z direction)		
Accessory	Mounting bracket x 2, 8-core shielded wire x 1 (3m), 4-core shielded wire x 1 (15m)		

\*Set by RS485 command

Measuring light curtain **MH20** series

## Dimensions



## Light curtain line sequence definition



Male

1 - Brown	Power+
2 - White	Output (NPN, PNP or NO, NC are configurable)
3 - Blue	Power-
4 - Black	Output (NPN, PNP or NO, NC are configurable)
5 - Grey	Synchronizing signal+ (synchronizing signal+ with emitter)
6 - Pink	Synchronizing signal- (synchronizing signal- with emitter)
7 - Purple	RS485A
8 - Orange	RS485B



Male

1 - Brown	Power+
2 - White	Synchronizing signal+ (synchronizing signal+ with receiver)
3 - Blue	Power-
4 - Black	Synchronizing signal- (synchronizing signal- with receiver)