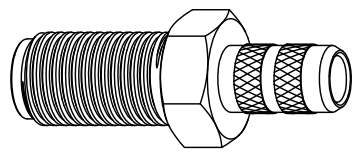
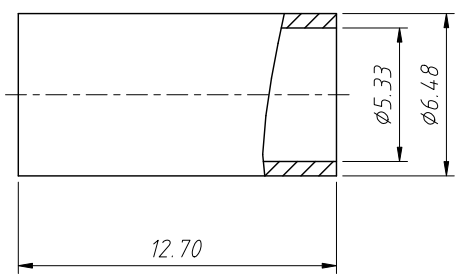
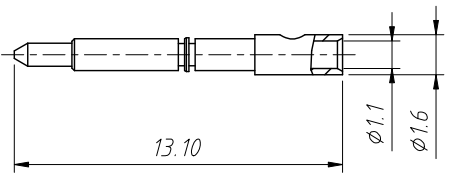
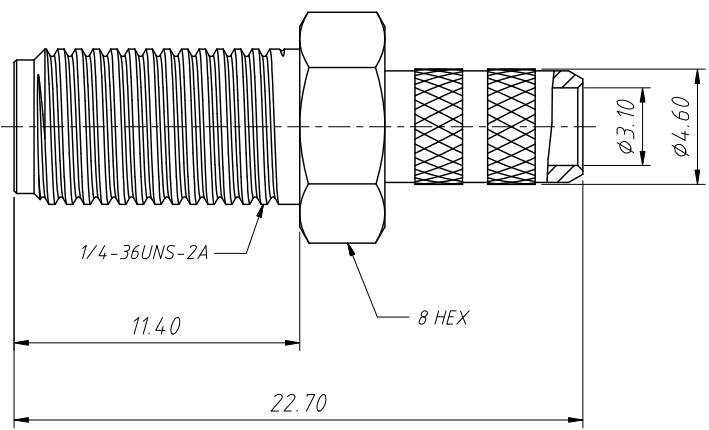


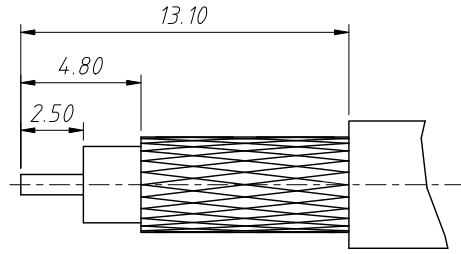
1  
RoHS Compliance



**Material:**  
 Body: Brass, Gold Plating  
 Contact Pin: Brass, Gold Plating  
 Insulator: PTFE, Natural

**Electrical Specifications:**  
 Impedance: 50Ω  
 Frequency Range: 0-6 GHz  
 VSWR : 1.3 Max.  
 Dielectric Withstanding Voltage: 1000 VRMS.Min.

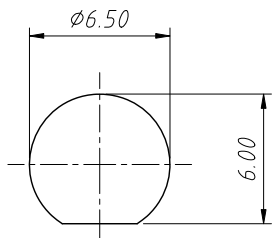
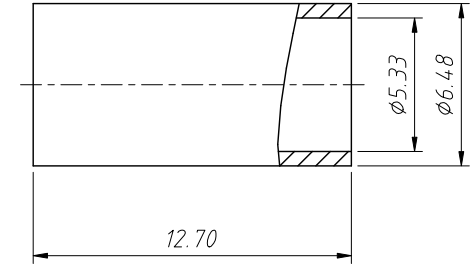
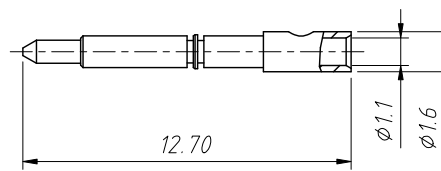
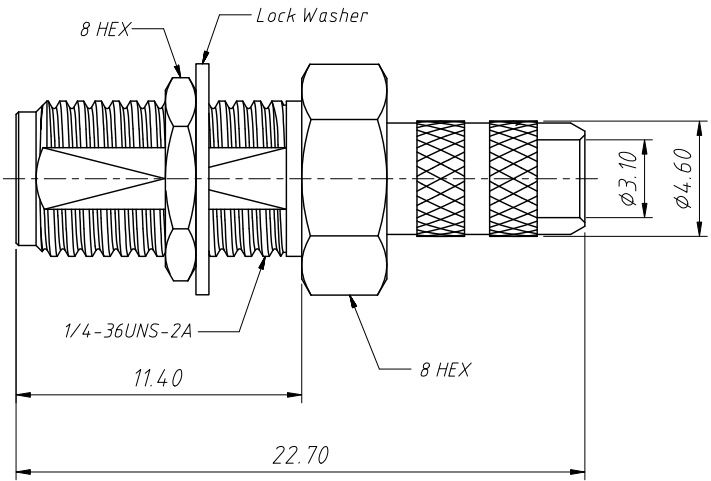
**Mechanical Specifications:**  
 Durability: 500 Cycles Min.  
 Temperature Range: -65°C to +165°C



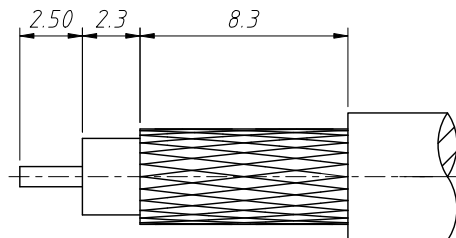
Recommended Cable Stripping Dims

ANGLE TOLERANCE	PROJECTION	Description:	Panel Mount SMA Cable Connector Straight (Jack, Male, 50Ω)	
±3°				
GENERAL TOLERANCE	UNITS	mm	KLS P/N: L-KLS1-SMA138A	
x.x ±0.30	SHEET SIZE	A4	NingBo KLS ELECTRONIC CO.,LTD.	
x.xx ±0.20	Draw:	Daniel		2020-11-11
x.xxx ±0.10	Check:	Daniel		2020-11-11

RoHS Compliance



Recommended Mounting Hole



Recommended Cable Stripping Dims

**Material:**

- Body: Brass, Gold Plating
- Contact Pin: Ber. Copper, Gold Plating
- Insulator: Teflon, Natural
- Ferrule: Copper, Gold Plating
- Lock Washer: Brass, Gold Plating
- HEX Nut: Brass, Gold Plating

**Electrical Specifications:**

- Impedance: 50Ω
- Frequency Range: 0-6 GHz
- VSWR : 1.3 Max.
- Dielectric Withstanding Voltage: 1000 VRMS.Min.

**Mechanical Specifications:**

- Durability: 500 Cycles Min.
- Temperature Range: -65°C to +165°C

ANGLE TOLERANCE	PROJECTION	Description:	Panel Mount SMA Cable Connector Straight (Jack, Male, 50Ω)	
±3°				
GENERAL TOLERANCE	UNITS	mm	KLS P/N:	L-KLS1-SMA138B
x.x ±0.30	SHEET SIZE	A4		
x.xx ±0.20	Draw:	Daniel	2020-11-11	NingBo KLS ELECTRONIC CO.,L TD.
x.xxx ±0.10	Check:	Daniel	2020-11-11	