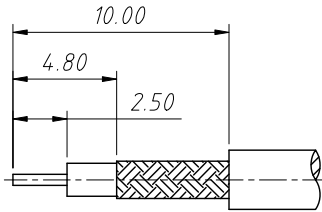
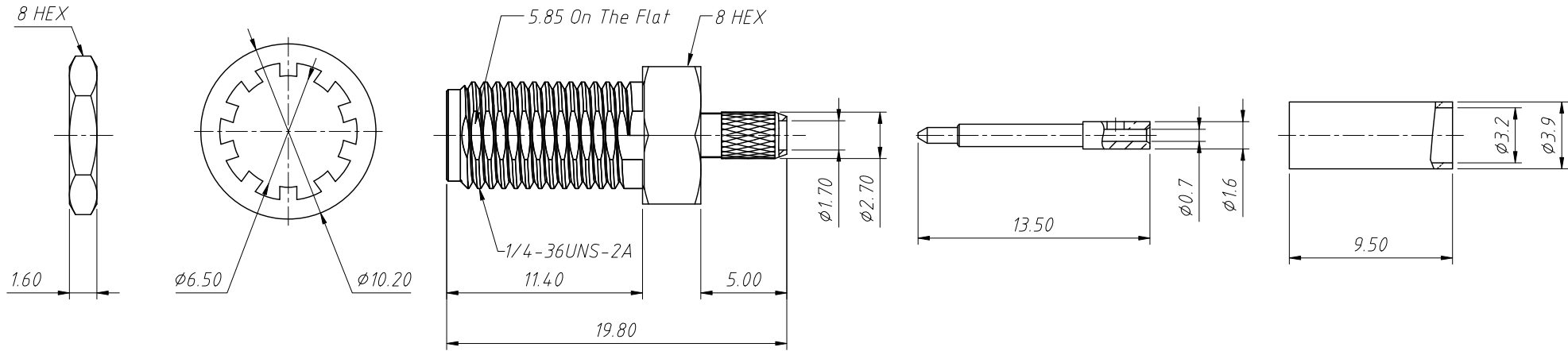
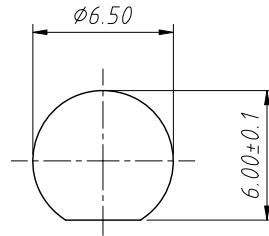


1 RoHS Compliance



Recommended Cable Stripping Dims



Recommended Mounting Hole

Material:

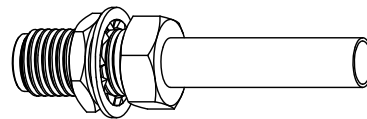
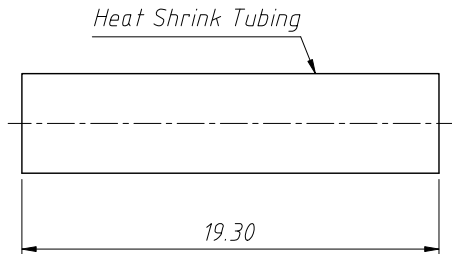
- Body:Brass,Gold Plating
- Contact Pin:Brass,Gold Plating
- Insulator:PTFE,Natural
- Lock Washer:Brass,Gold Plating
- Hex Nut:Brass,Gold Plating
- Ferrule:Brass,Gold Plating
- Heat Shrink Tubing:Black

Electrical Specifications:

- Impedance:50Ω
- Frequency Range:0-6 GHz
- VSWR :1.3 Max.
- Dielectric Withstanding Voltage:1000 VRMS.Min.

Mechanical Specifications:

- Durability:500 Cycles Min.
- Temperature Range: -65°C to +165°C
- Max . Panel Thickness=3.2mm

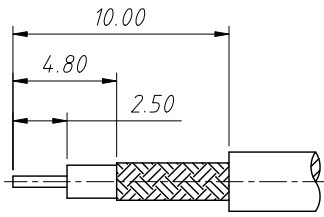
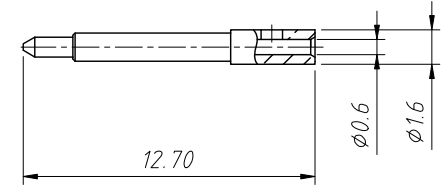
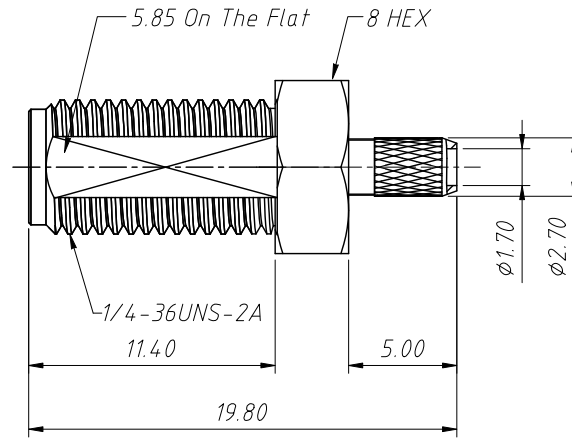
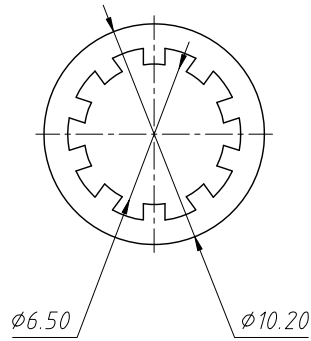
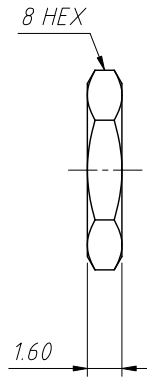


| | | | |
|-------------------|------------|--------------|---|
| ANGLE TOLERANCE | PROJECTION | Description: | Panel Mount SMA Cable Connector Straight (Jack, Male, 50Ω) |
| ±3° | | | |
| GENERAL TOLERANCE | UNITS | mm | KLS P/N: L-KLS1-SMA137B |
| x.x ±0.30 | SHEET SIZE | A4 | |
| x.xx ±0.20 | Draw: | Daniel | 2020-11-11 |
| x.xxx ±0.10 | Check: | Daniel | 2020-11-11 |

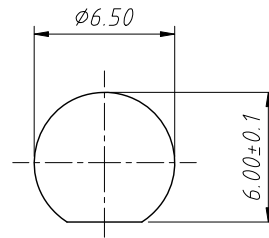


NingBo KLS ELECTRONIC CO.,L TD.

1 RoHS Compliance



Recommended Cable Stripping Dims



Recommended Mounting Hole

Material:

- Body:Brass,Gold Plating
- Contact Pin:Brass,Gold Plating
- Insulator:PTFE,Natural
- Lock Washer:Brass,Gold Plating
- Hex Nut:Brass,Gold Plating
- Ferrule:Copper,Gold Plating
- Heat Shrink Tubing:Black

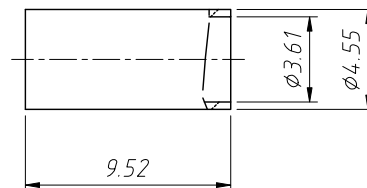
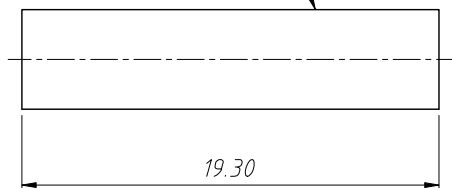
Electrical Specifications:

- Impedance:50Ω
- Frequency Range:0-6 GHz
- VSWR :1.3 Max.
- Dielectric Withstanding Voltage:1000 VRMS.Min.

Mechanical Specifications:

- Durability:500 Cycles Min.
- Temperature Range: -65°C to +165°C
- Max . Panel Thickness=3.2mm

Heat Shrink Tubing



| | | | |
|-------------------|------------|--------------|---|
| ANGLE TOLERANCE | PROJECTION | Description: | Panel Mount SMA Cable Connector Straight (Jack, Male, 50Ω) |
| ±3° | | | |
| GENERAL TOLERANCE | UNITS | mm | KLS P/N: L-KLS1-SMA137C |
| x.x ±0.30 | SHEET SIZE | A4 | |
| x.xx ±0.20 | Draw: | Daniel | 2020-11-11 |
| x.xxx ±0.10 | Check: | Daniel | 2020-11-11 |



NingBo KLS ELECTRONIC CO.,L TD.